



## Our Mission

At HeroProtects<sup>SM</sup>, we don't just issue contracts, we keep promises.

**OUR MISSION IS TO PROVIDE REAL PROTECTION THAT HOLDS UP WHEN LIFE DOESN'T.**

We want our customers to feel secure. We're here for the breakdowns, the leaks, the surprise costs, and the unexpected stress, bringing support and strength to every customer journey.

## Additional Benefits\*

**Rental Car / Alternative Transportation**  
Up to \$40/day for up to five days

**Towing**  
Up to \$100 per occurrence

**Trip Interruption**  
Up to \$250/day for up to three days for lodging and meals

**24-Hour Emergency Roadside Assistance**  
(*\$150 per occurrence*)

• **Battery Jump Start**

If the covered vehicle's battery fails, a jump will be provided to start the vehicle

• **Flat Tire Changes**

Removal of the flat tire and the replacement with the inflated spare tire located in the covered vehicle

• **Fuel, Oil, Fluid and Water Delivery**

Delivery of an emergency supply of fuel, oil, lubricants, fluid or coolant  
(*benefit does not include the cost of fluids*)

• **Lockout Service**

In the event the keys for the covered vehicle are locked in the vehicle, this service will provide assistance in gaining entry



**Your Partner in Protection. Your Hero in Trust.**



**HERO PROTECTS<sup>SM</sup>**

Your Partner in Protection. Your Hero in Trust.

Help is within reach with 24/7 claims support by phone or online.

855-203-9876 | heroprotects.com

13801 Riverport Dr, Suite 100  
Maryland Heights, MO 63043



**HERO PROTECTS<sup>SM</sup>**

## Vehicle Service Contract

Coverage that keeps you confident on the road.



\* This brochure is not a contract and programs are subject to change. Complete details, terms and conditions are on the Service Contract and should be reviewed. Contracts are underwritten by A.M. Best "A-" rated insurers. Some services are not subject to a deductible. Some benefits are not allowed in some states – these benefits would be excluded from coverage. FL License No. 03698

## Coverage Levels

Drive with peace of mind knowing your vehicle is protected from unexpected repair costs. Enjoy reliable coverage that keeps you on the road – worry-free.

### MOMENTUM COVERAGE\*

- Engine
- Transmission/Transfer Case
- Front/Rear Wheel Drive System
- Turbocharger/Supercharger
- Fluids - Up to \$100 if required in conjunction with a Covered Repair

#### Seals and Gaskets

Covered only as part of repair or replacement of the above covered parts.

### TORQUE COVERAGE\*

You get all the great coverages listed under MOMENTUM plus:

- AC/Heating
- Cooling
- Fuel System
- Brakes
- Electrical
- Hybrid Electric Propulsion
- Suspension
- Steering

### ABSOLUTE COVERAGE\*

This is **Absolutely** the best repair coverage you can get. Absolute Coverage covers all Mechanical and Electrical Breakdowns except for a small number of components listed in Section V of the Contract. Examples of non-covered items include but are not limited to glass, light bulbs, tires, wheels and maintenance items such as brake pads and spark plugs.



Your partner in Protection.  
Your Hero in Trust.



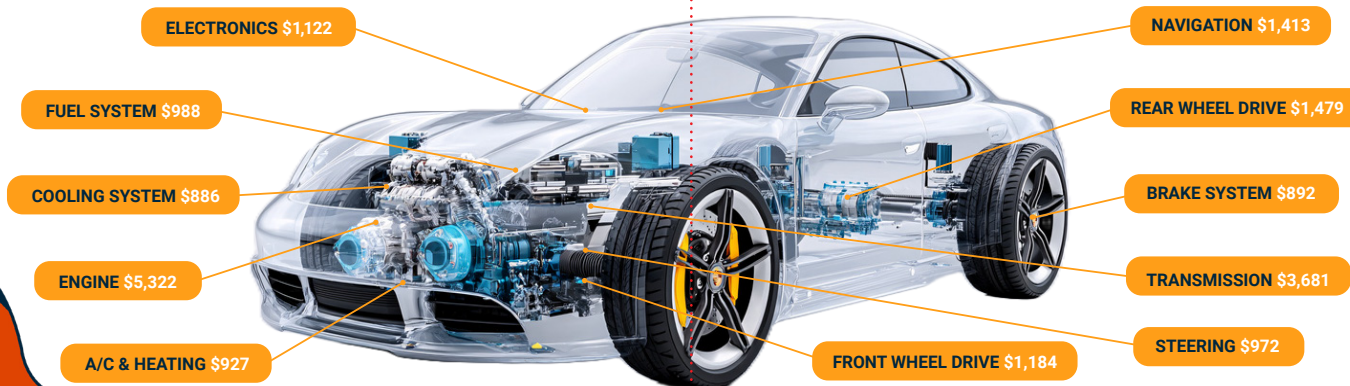
## Component Coverage\*

COMPONENTS COVERED**	ABSOLUTE	TORQUE	MOMENTUM
Engine	✓	✓	✓
Transmission	✓	✓	✓
Transfer Case	✓	✓	✓
Front/Rear Wheel Drive	✓	✓	✓
Turbocharger/Supercharger	✓	✓	✓
Air Conditioning	✓	✓	
Heating	✓	✓	
Cooling	✓	✓	
Fuel System	✓	✓	
Brakes	✓	✓	
Electrical	✓	✓	
Suspension	✓	✓	
Steering	✓	✓	
Hybrid Propulsion Engine	✓	✓	
Enhanced Electrical	✓		
Enhanced Air Conditioning	✓		
Enhanced Cooling	✓		
Navigation	✓		
Air Suspension Struts/Struts	✓		
Exclusionary Coverage	✓		

\*\*Refer to the Service Contract for complete details, terms and conditions. This brochure is not a contract and programs are subject to change. Some benefits are not subject to a deductible. Some benefits are not allowed in all states and therefore will be excluded from coverage.

### PROTECT YOURSELF & YOUR WALLET FROM COSTLY REPAIRS!\*\*\*

Below are your potential repair costs without HeroProtects coverage:



\*\*\*Listed Repair Costs based on Consumer Affairs 2025 statistics.



## Optional Coverages\*

#### Business Use

Coverage if the vehicle is used for route sales or service, inspections, examinations, maintenance, repair, gardening and lawn care, and carrying personal tools to a job site.

#### Lift Kits

Coverage for vehicles equipped with up to a 6" lift kit.

#### Oversized/Undersized Tires

Coverage for vehicles equipped with oversized/undersized tires (provided less than 10% variant from the manufacturer specs).

#### Market Labor

Upgrade the authorized labor rate from \$125/hour to the repair facility's posted hourly labor rate (as long as it is a reasonable cost).

#### Seals & Gaskets

Coverage for Seals & Gaskets for all covered components provided the vehicle has less than 150,000 odometer miles at time of purchase.