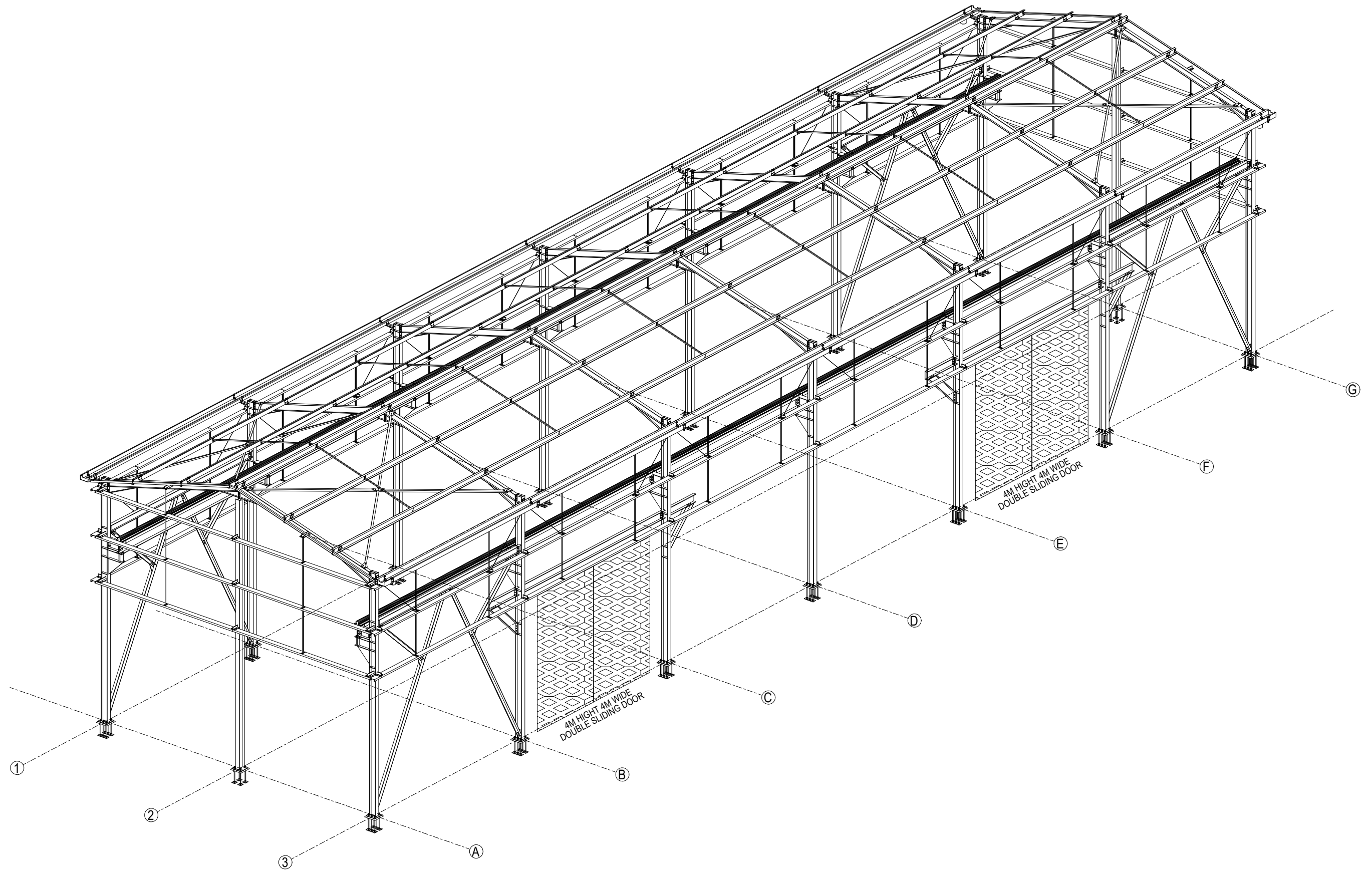
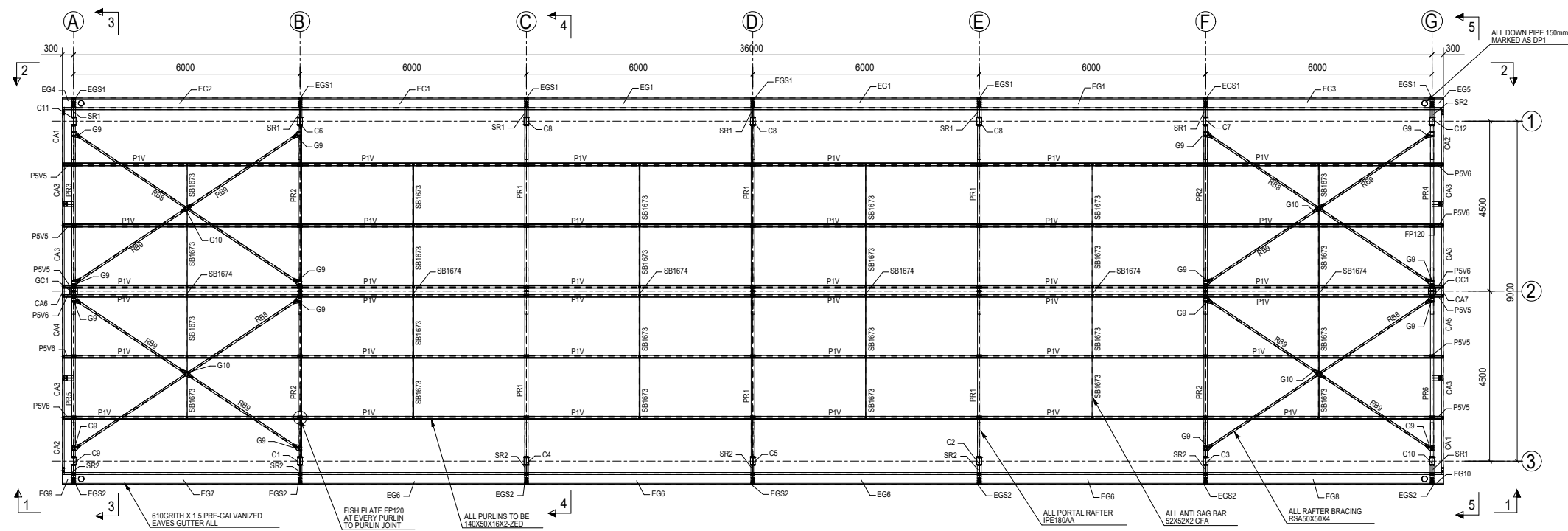


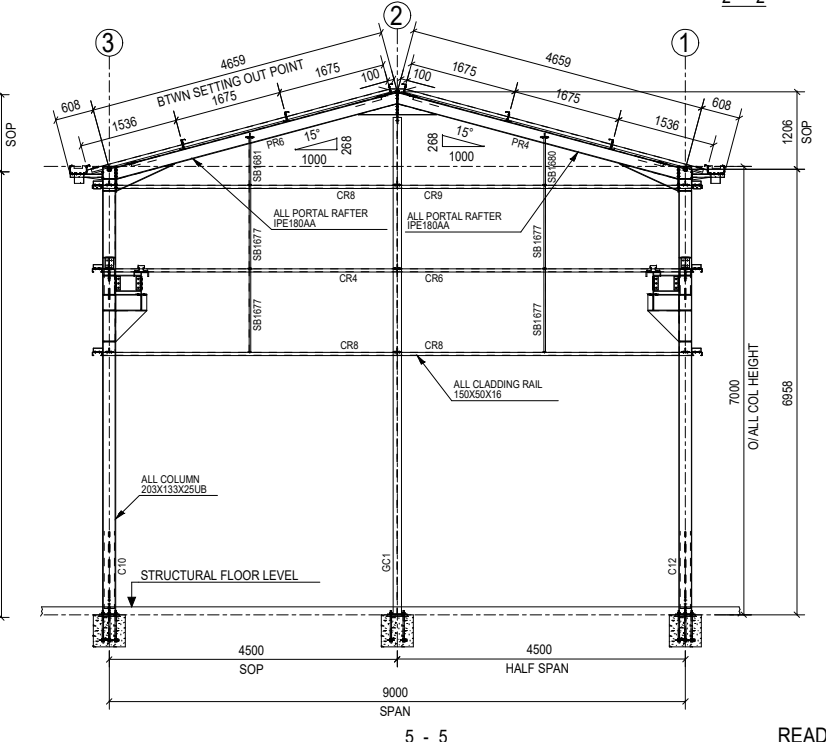
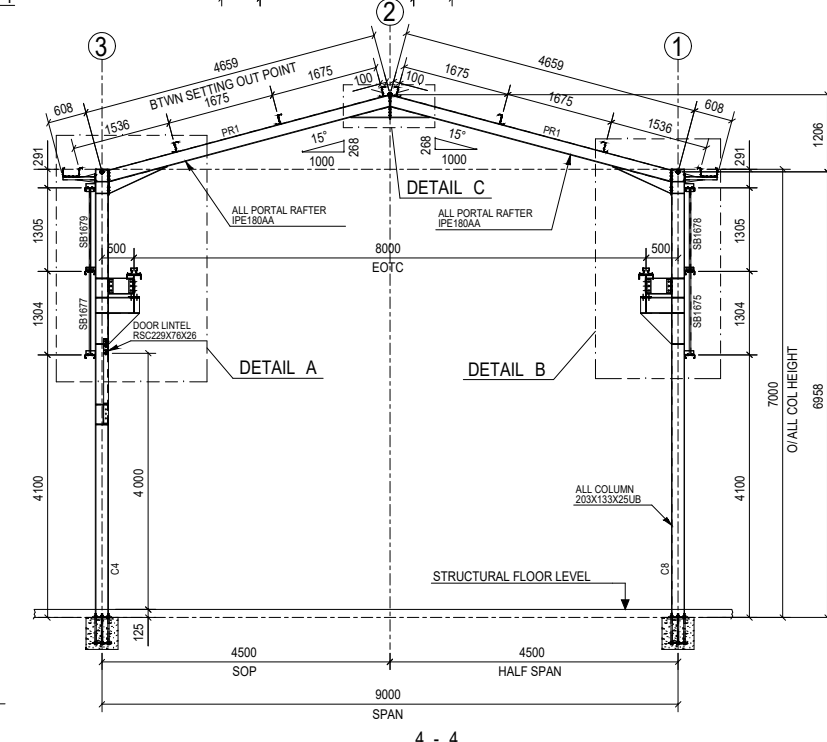
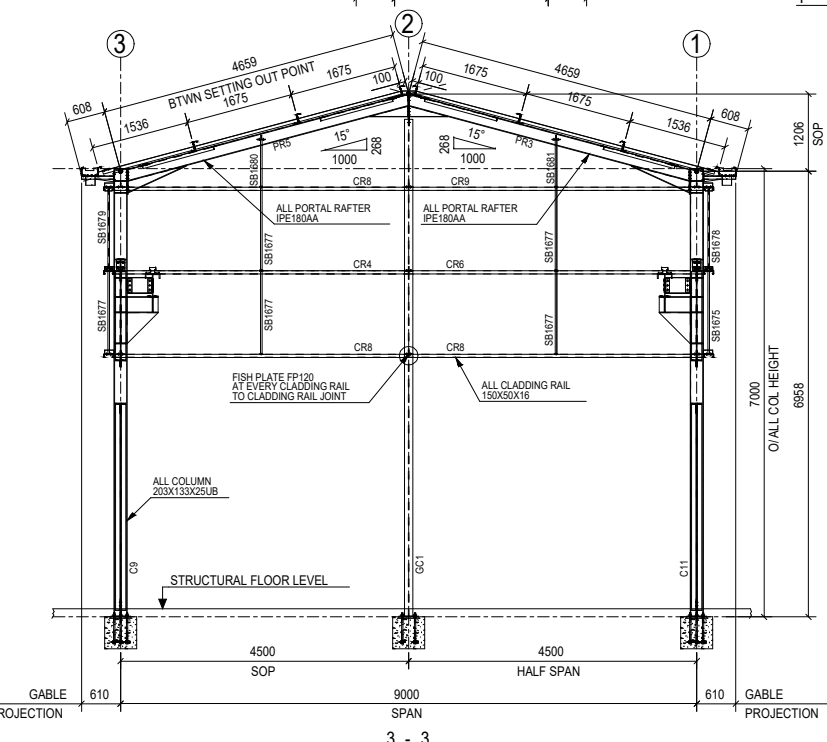
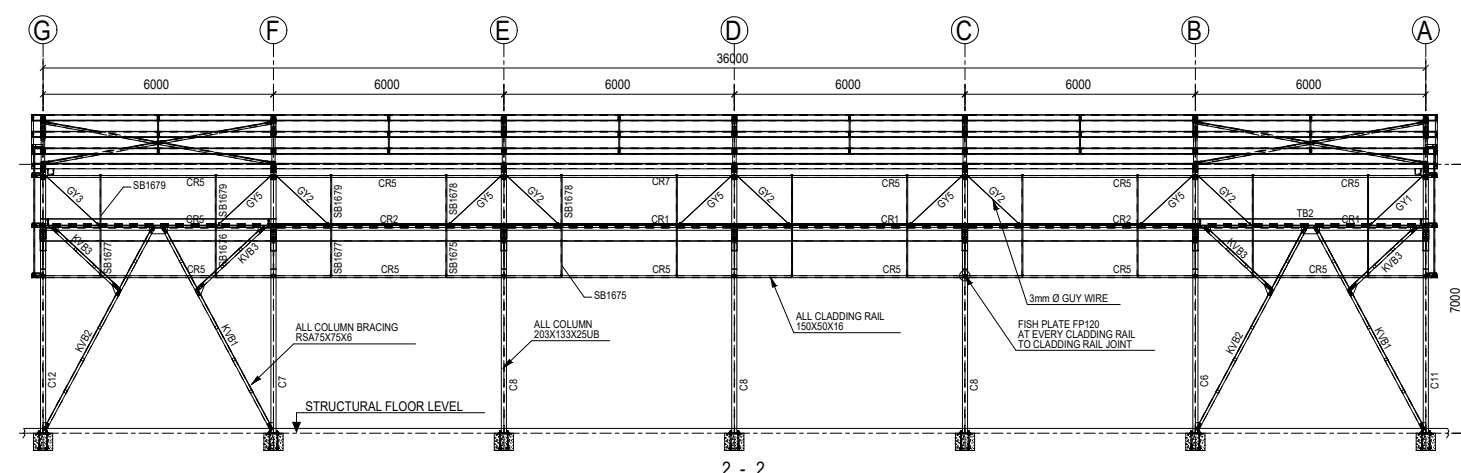
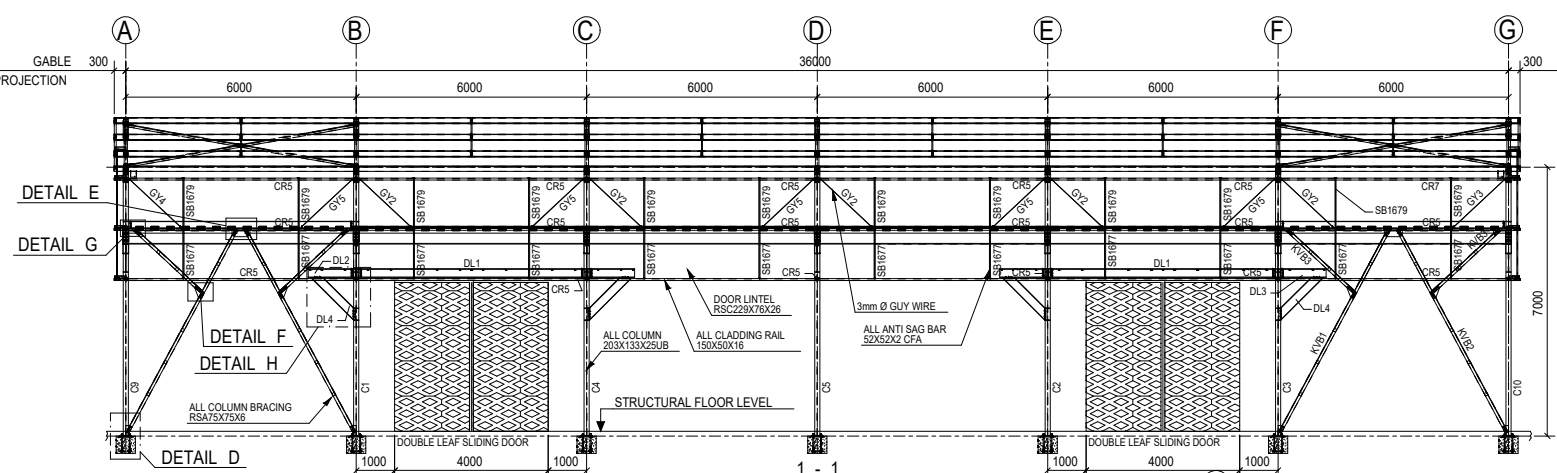
STEEL WORK GA DRAWINGS FOR APPROVAL & ERECTION



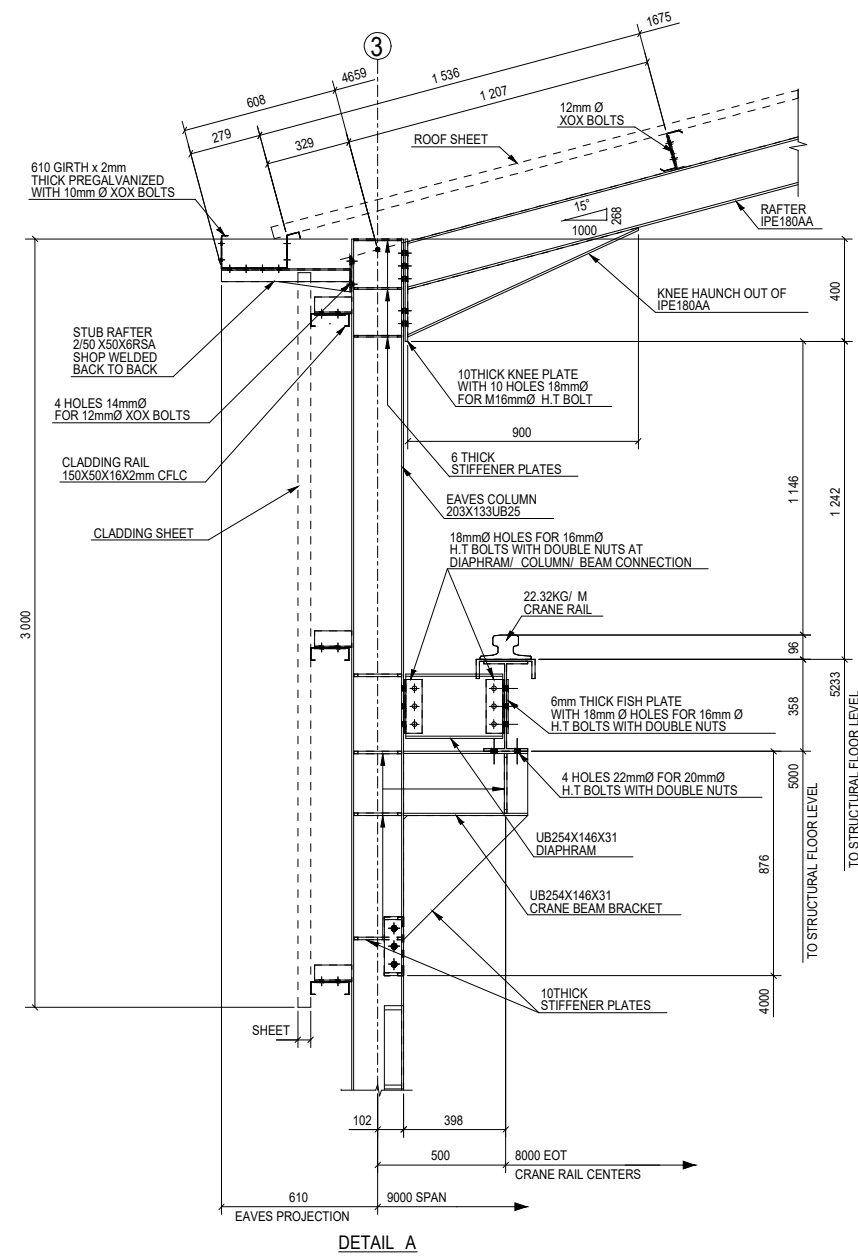
3D-VIEW



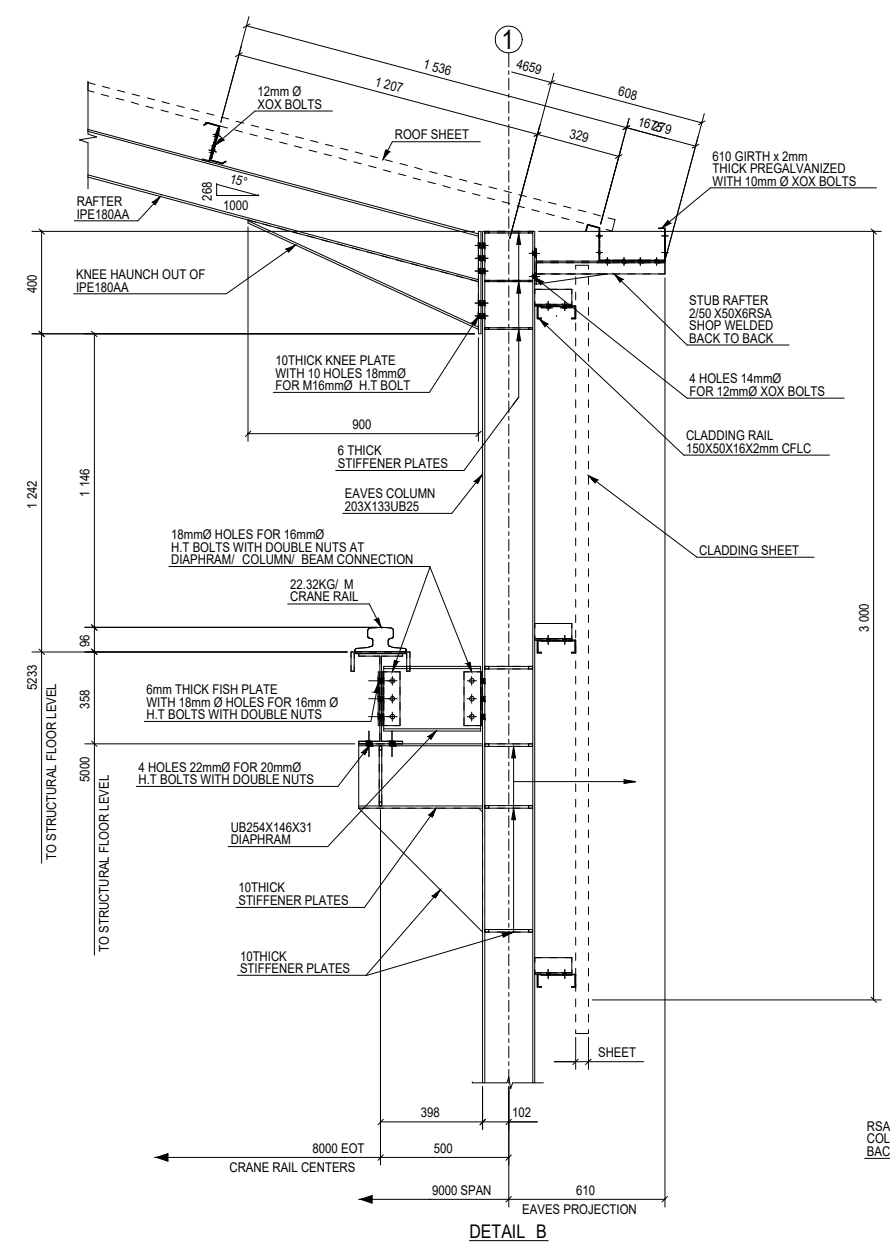
GENERAL ARRANGEMENT OF STEEL WORK



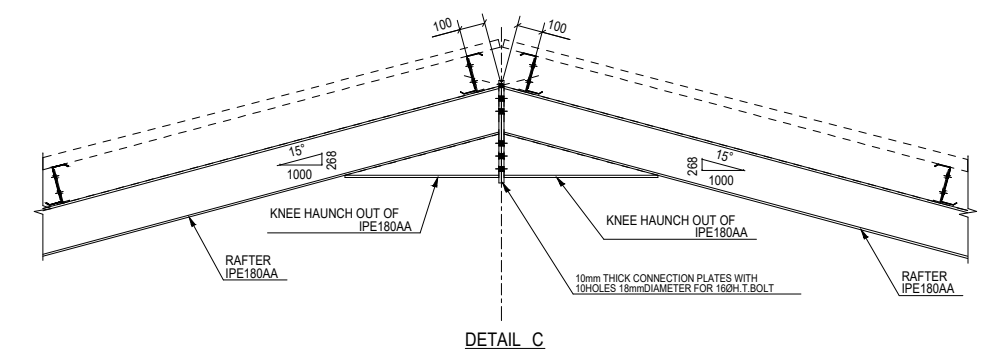
LIST OF STANDARD ITEMS			
MARK	SECTION SIZE	DESCRIPTION	QTY.
P1V	140X50X16X2	ZED PURLIN	36
SB1673	25X25X2 CFA	ANTI SAG BAR	24
FP120	120X120X2	FISH PLATE	106



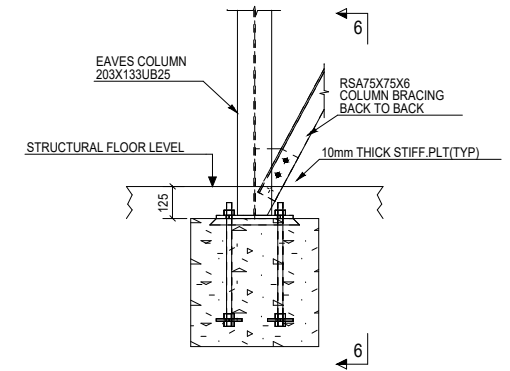
DETAIL A



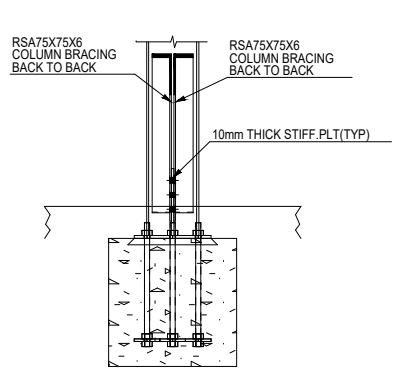
DETAIL B



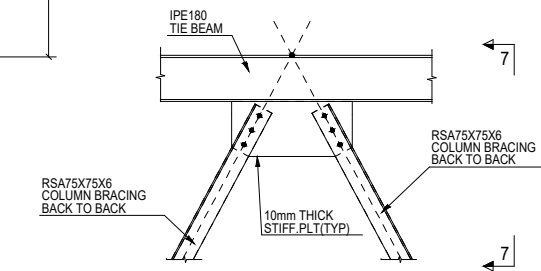
DETAIL C



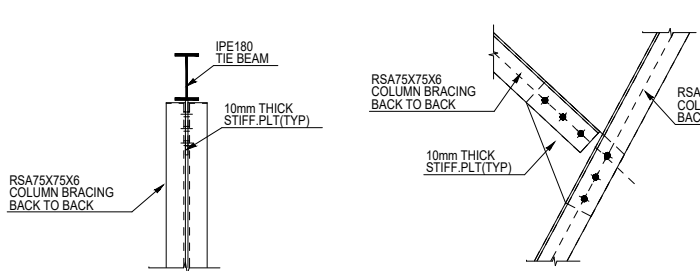
DETAIL D



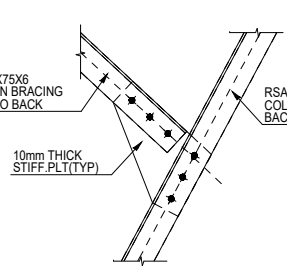
6-6



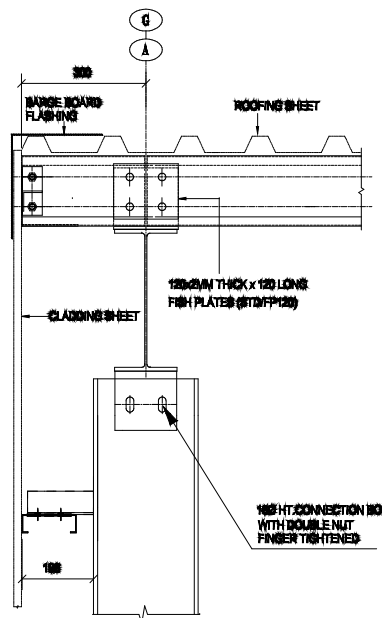
DETAIL E



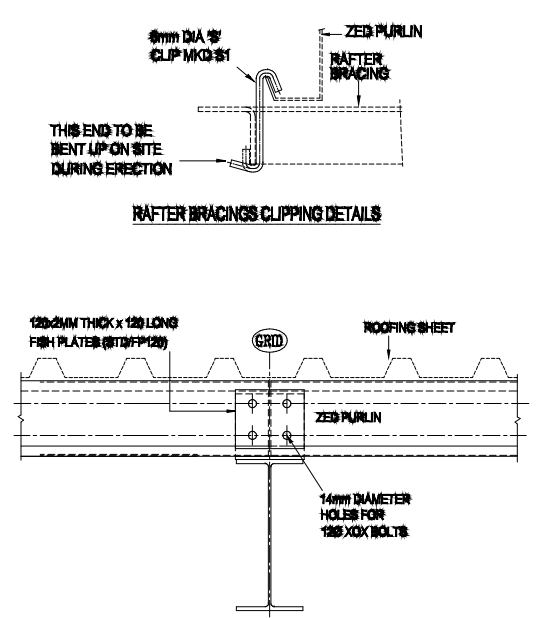
7-7



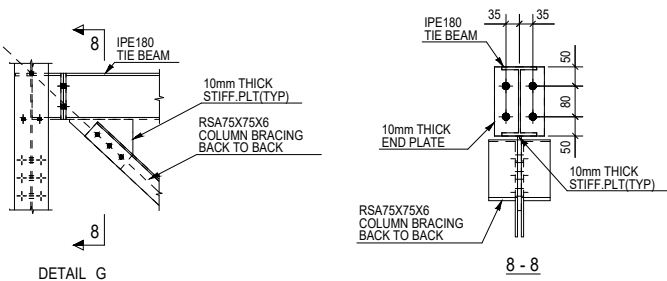
DETAIL F



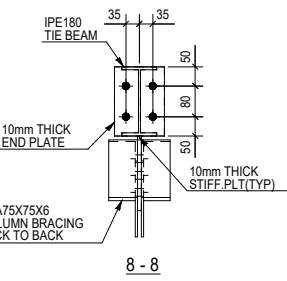
TYPICAL GABLE DETAILS



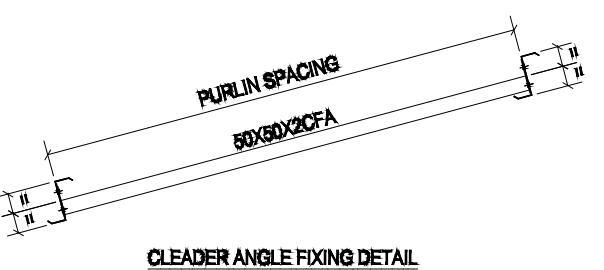
TYPICAL PURLIN CONNECTION DETAILS



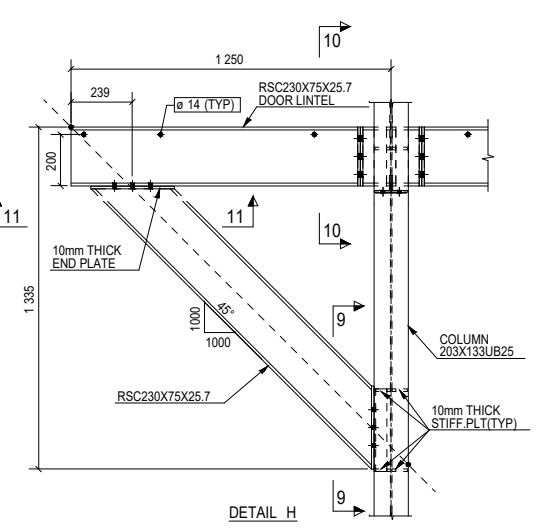
DETAIL G



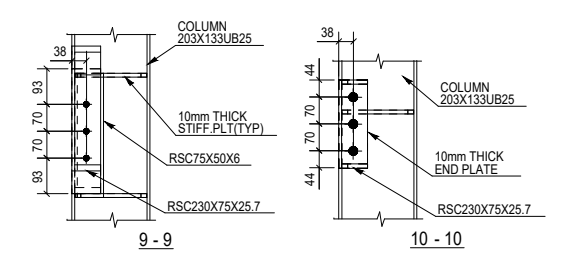
8-8



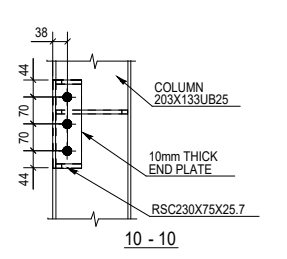
CLEADER ANGLE FIXING DETAIL



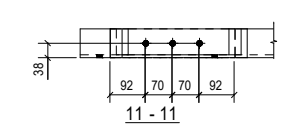
DETAIL H



9-9



10-10



11-11