



# Stone Surface Edge Profiles



$\frac{1}{8}$ " Double Roundover  
2cm



$\frac{1}{8}$ " Double Roundover  
3cm



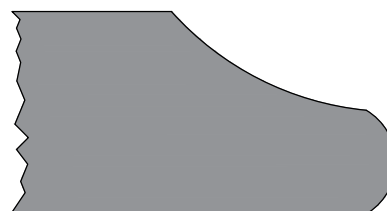
Bullnose  
3cm



$\frac{1}{8}$ " Double Bevel  
3cm



Eased  
3cm



Ogee  
3cm



$\frac{1}{4}$ " Double Roundover  
3cm

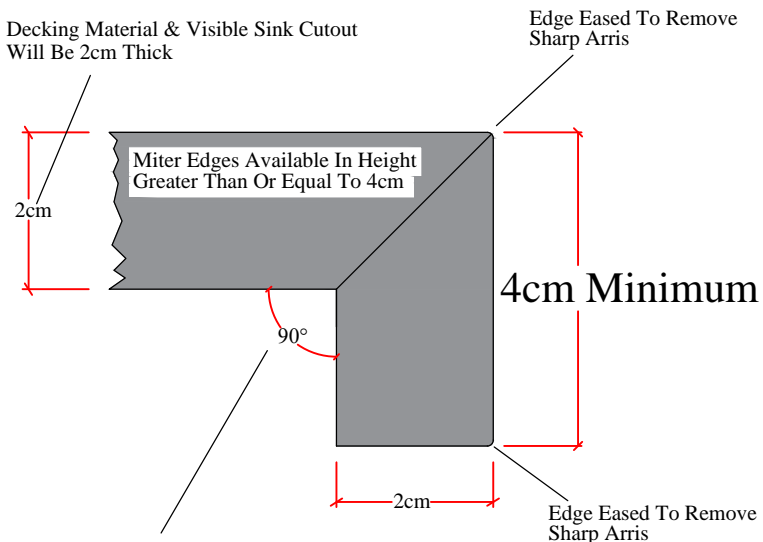
\*See Second Page For Miter Edge & Waterfall End Optional Upgrades\*



# Upgraded Miter Edges & Waterfall Ends

Miter Edge  
4cm

\*All Outside & Inside Corners On Top With Mitered Edges Will Be 90° No Radius\*



Area Behind Front Edge Can Be In-Filled & Built Up Or Front Edge Can Lip Over Cabinet Face

\*All Outside & Inside Corners On Top With Mitered Edges Will Be 90° No Radius\*

Waterfall End  
3cm

