

Tru-Gap Air Gap Fixture

Item# Submitted	_____
Job Name	_____
Location	_____
Engineer	_____
Contractor	_____
PO#	_____ Tag _____

SPECIFICATION

Tru-Gap is built for the plumbing, water conditioning, beverage vending, food service and other industries. The unique design of the Tru-Gap allows for nearly countless applications for a proper air gap waste.

MATERIALS

Drain Body: (PVC) ASTM D2665
Tube support mount: (PVC) ASTM D2665
Hardware: Stainless Steel

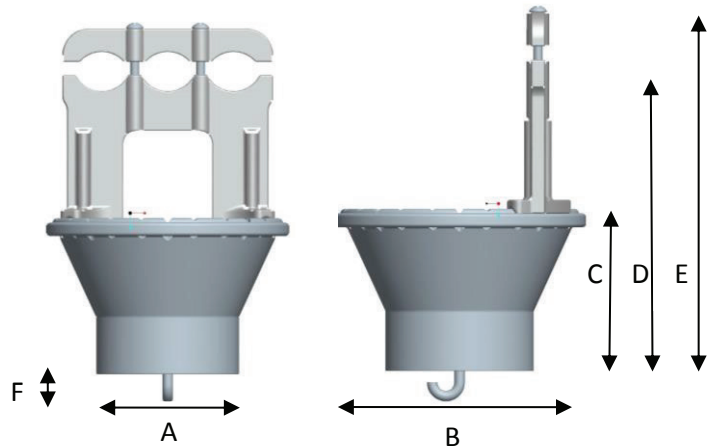
INSTALLATION

Tru-Gap can be connected by solvent weld to a standard 2" PVC DWV pipe and with PVC reducer fittings can be adapted to smaller or larger piping.



DIMENSIONS

- A: Bottom ID.....2.39"
- B: Overall Width.....4.625"
- C: Body Height.....2.97"
- D: Bottom to center line.....5.56"
- E: Overall Height.....6.56" (shown)
Note – dependent on tube diameter
- F: Hook Depth.....1.00"



REGULATORY

The Tru-Gap air gap fixture is tested to full compliance to the ASTM D2665 Standard and the ASME A112.1.2. Care should be taken by the installer to meet all state and local applicable codes.