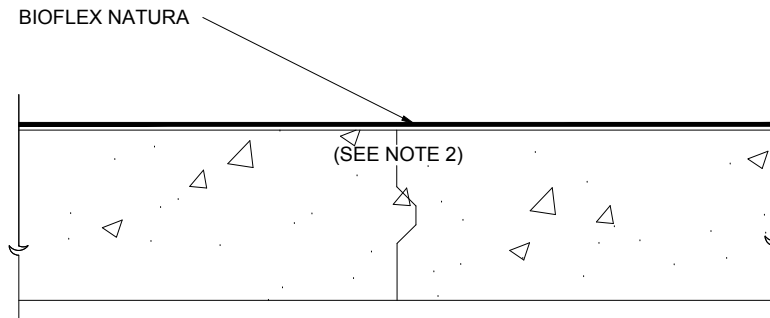
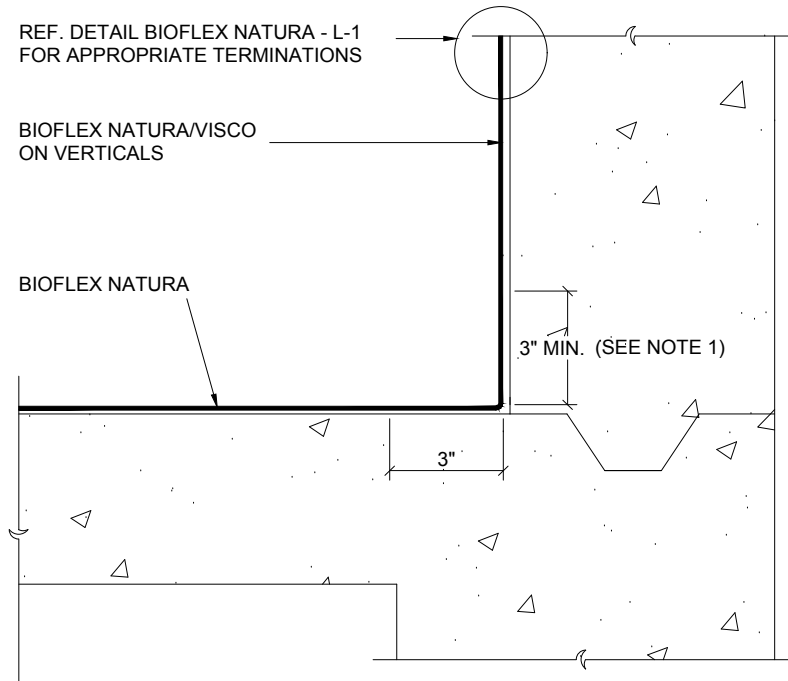
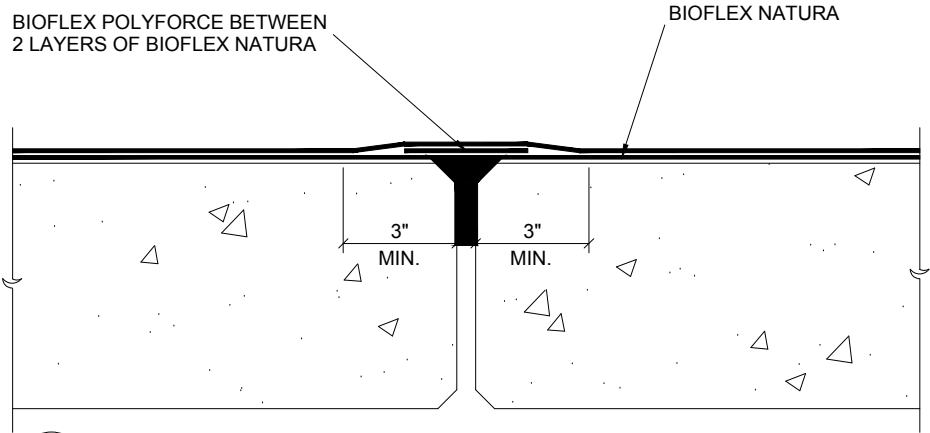


NOTES: FOR EXPANSION JOINTS GREATER THAN 2", EXPANSION JOINTS ANTICIPATING GREATER THAN 25% MOVEMENT ACCOMMODATION FACTOR AND FOR SEISMIC EXPANSION JOINTS, THE USE OF PRE-FABRICATED, PROPRIETARY JOINT SYSTEMS SHOULD BE CONSIDERED.

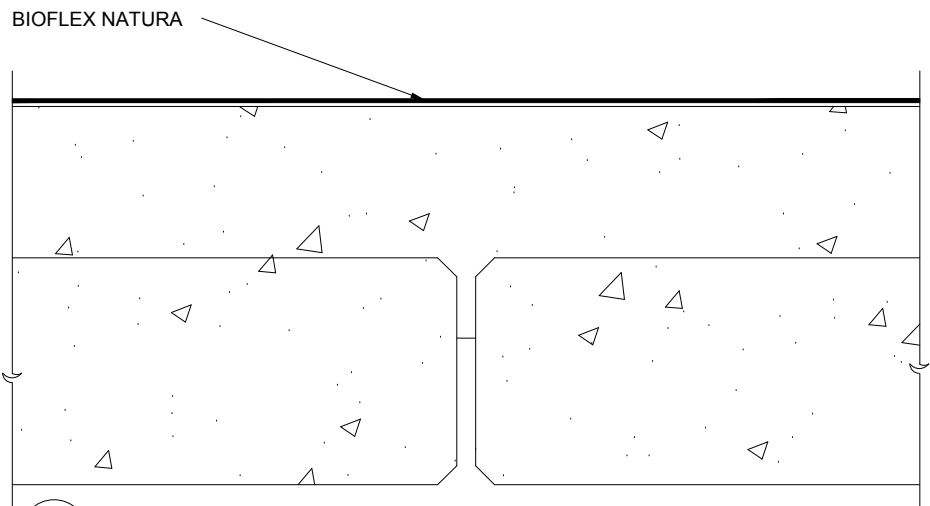


NOTES:

1. BIOFLEX NATURA/VISCO ARE EXTENDED AS A CONTINUOUS FLASHING AS HIGH AS THE OVERBURDEN LEVEL.
2. ADDITIONAL REINFORCEMENT NOT REQUIRED AT TYPICAL CONSTRUCTION/CONTROL JOINTS.

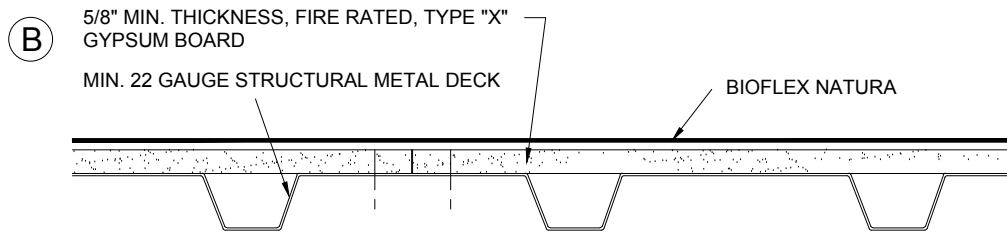
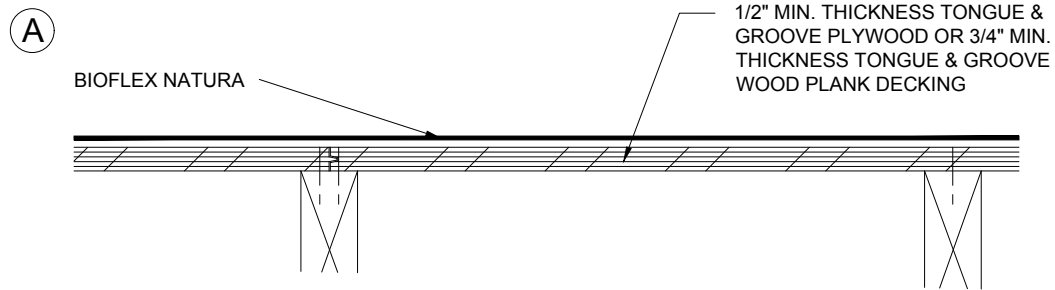


(A) WITHOUT TOPPING SLAB



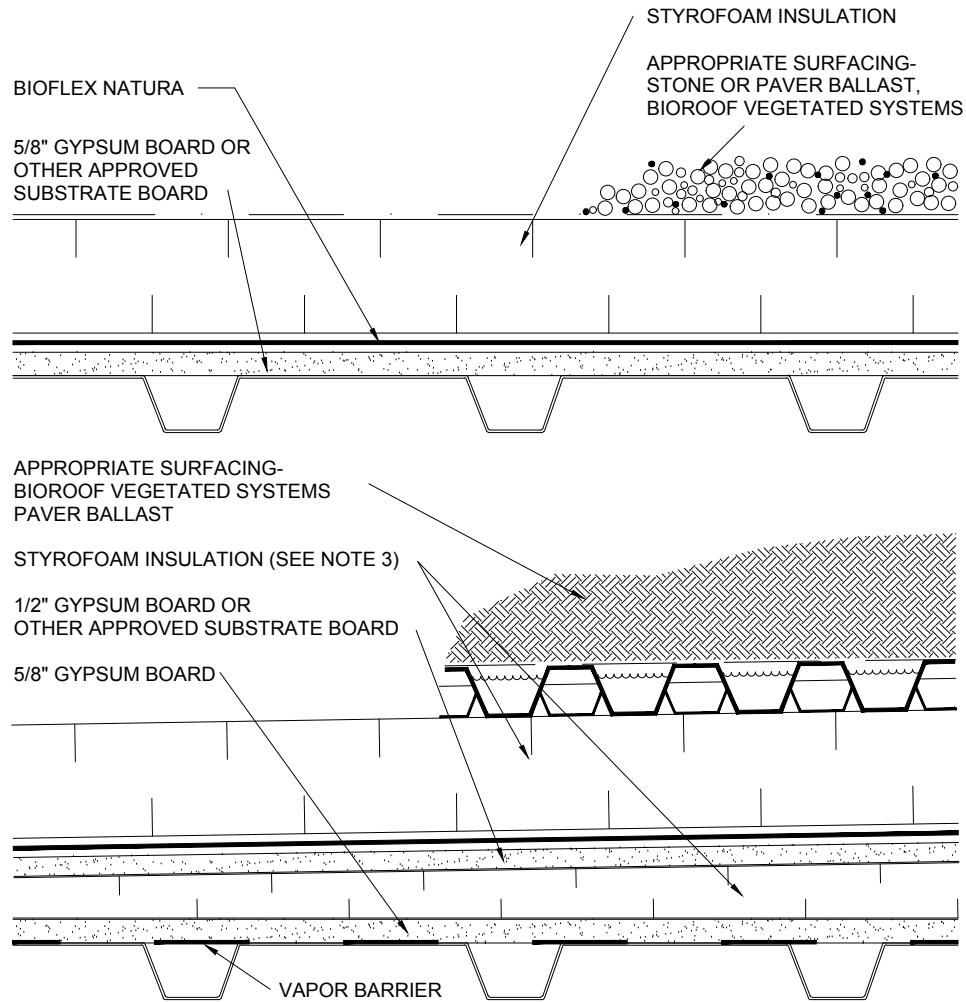
(B) WITH TOPPING SLAB

- NOTES:
1. JOINTS MUST BE GROUTED OR CAULKED FLUSH
 2. JOINT FILLING REQUIRED PRIOR TO APPLICATION OF MEMBRANE ASSEMBLY



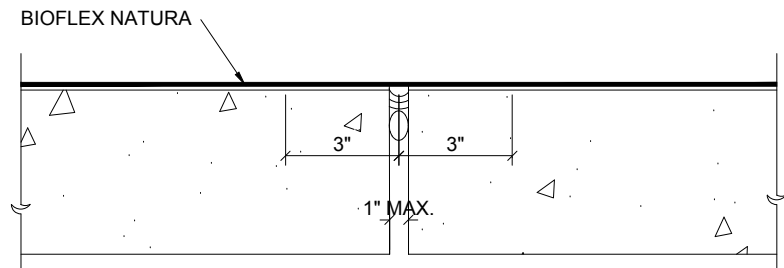
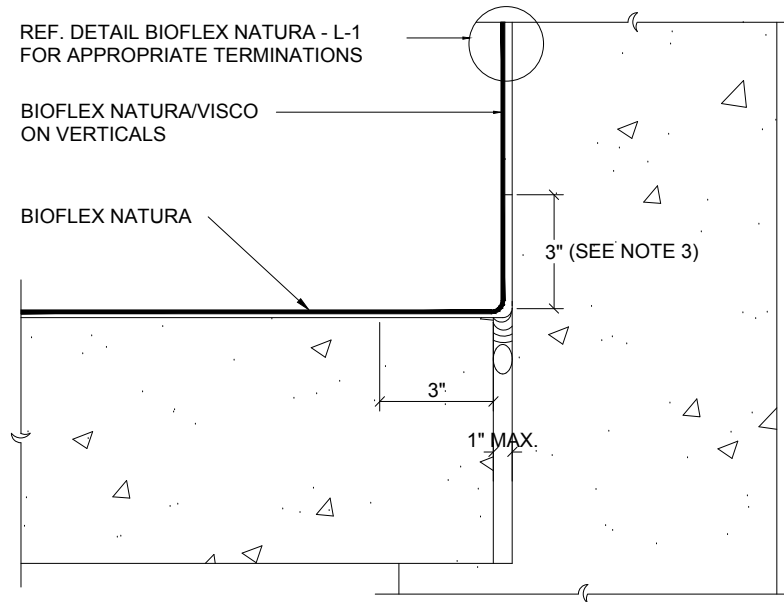
NOTES:

1. ADEQUATE STRUCTURAL SUPPORTS AND THE NUMBER AND TYPE OF FASTENERS REQUIRED TO COMPLY WITH APPLICABLE CODES, SHOULD BE DETERMINED AND VERIFIED BY PROJECT ARCHITECT/ENGINEER.



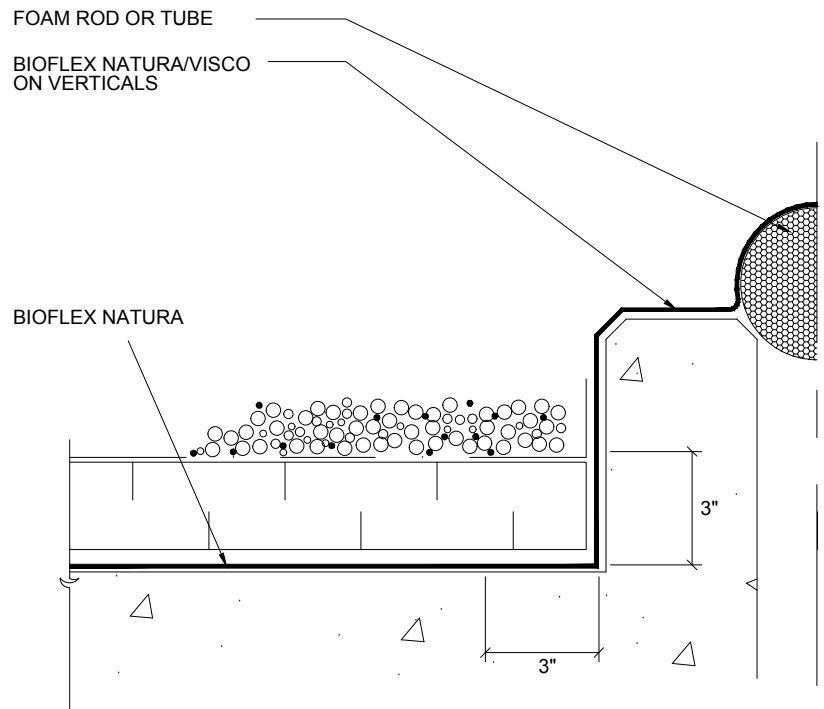
NOTES:

1. ADEQUATE STRUCTURAL SUPPORTS AND THE NUMBER AND TYPE OF FASTENERS REQUIRED TO COMPLY WITH APPLICABLE CODES, SHOULD BE DETERMINED AND VERIFIED BY PROJECT ARCHITECT/ENGINEER.
2. WHEN INSULATION IS INSTALLED BOTH ABOVE AND BELOW THE MEMBRANE, THE R VALUE OF THE INSULATION ABOVE MUST BE GREATER THAN THE LOWER LAYER.
3. THE NEED FOR A VAPOR BARRIER BETWEEN THE SUBSTRATE BOARD AND THE METAL DECK SHOULD BE DETERMINED AND VERIFIED BY PROJECT ARCHITECT/ENGINEER.



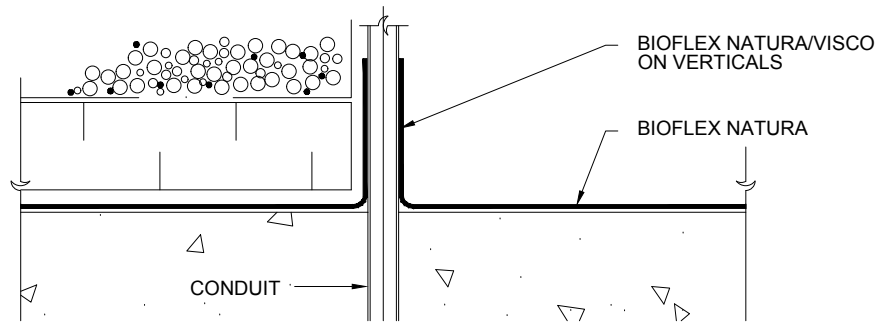
NOTES:

1. DETAIL DESIGNED FOR JOINTS WITH MAX. MOVEMENT ACCOMMODATION FACTOR OF 25%.
2. BACKER ROD AND SEALANT ARE REQUIRED IN JOINT PRIOR TO BIOFLEX NATURA INSTALLATION.
3. BIOFLEX NATURA/VISCO IS EXTENDED AS A CONTINUOUS FLASHING AS HIGH AS THE OVERBURDEN LEVEL.

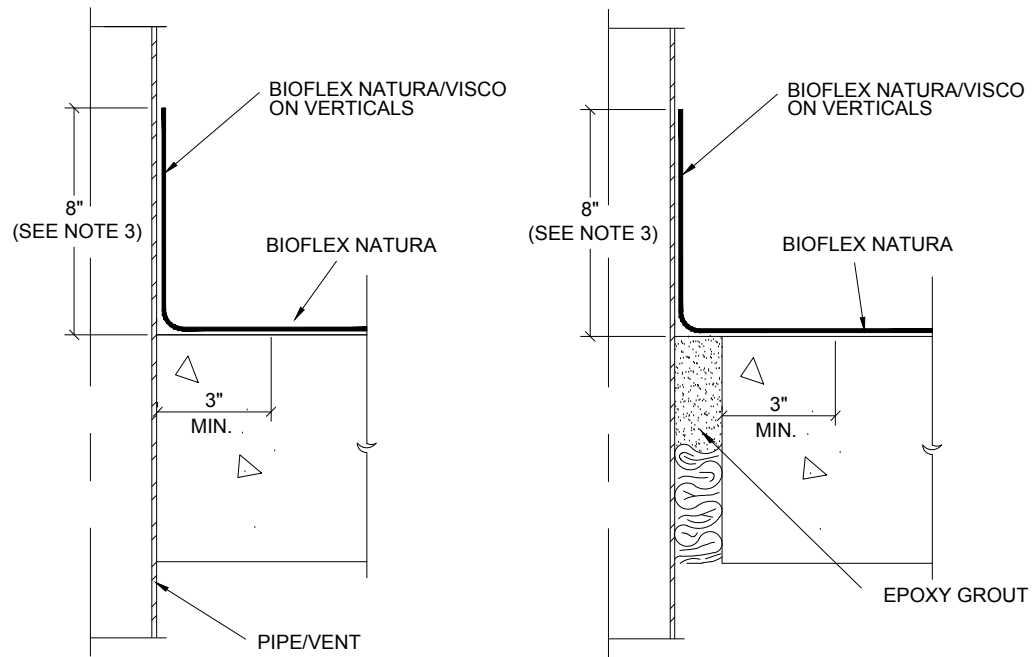


NOTES:

1. DETAIL DESIGNED FOR JOINTS WITH MAX. MOVEMENT ACCOMMODATION FACTOR OF 25%.
2. TREATED WOOD BLOCKING, CONCRETE MASONRY UNITS, ETC., CAN BE SUBSTITUTED FOR P.I.P. CONCRETE CURB.
3. DIAMETER OF FOAM ROD OR TUBE SHOULD BE 1" LARGER THAN MAXIMUM AS-BUILT JOINT OPENING.

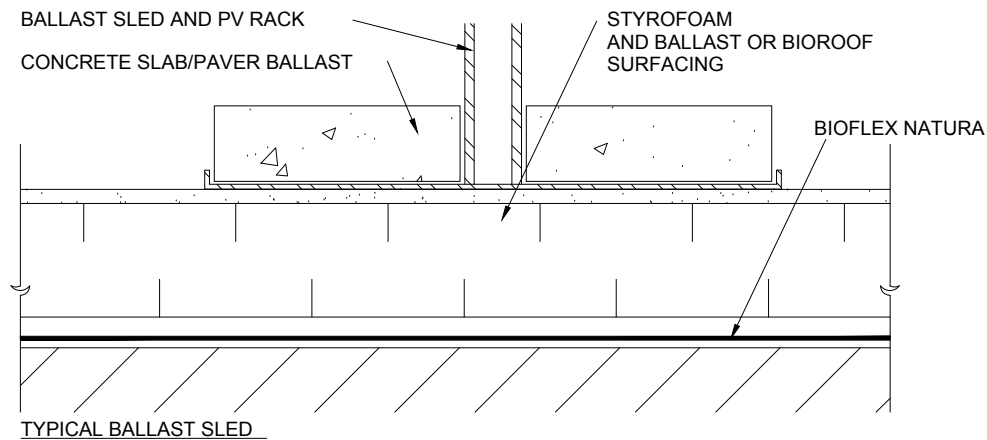
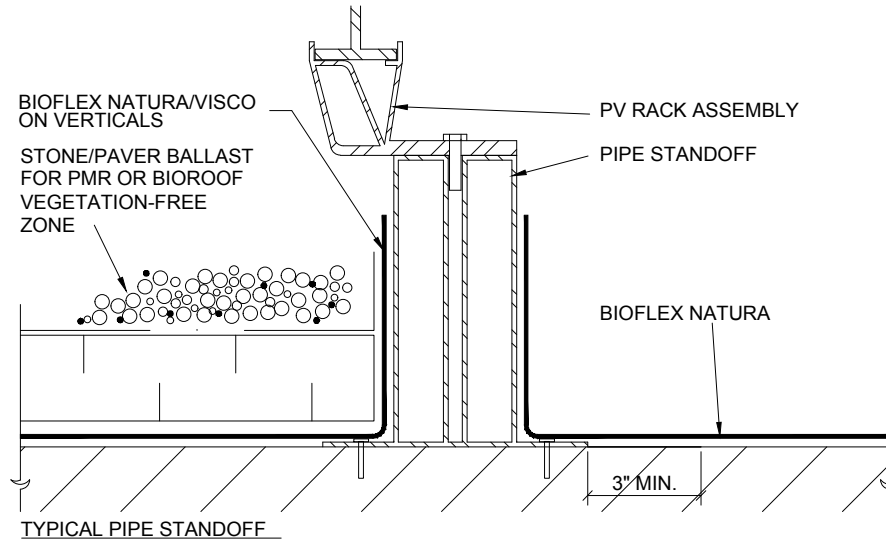


INDIVIDUAL PENETRATIONS



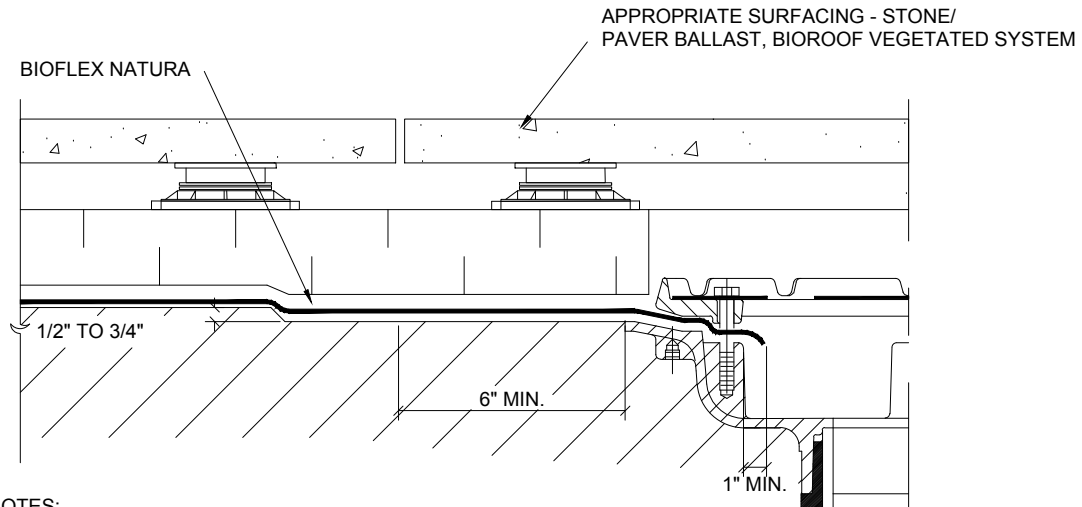
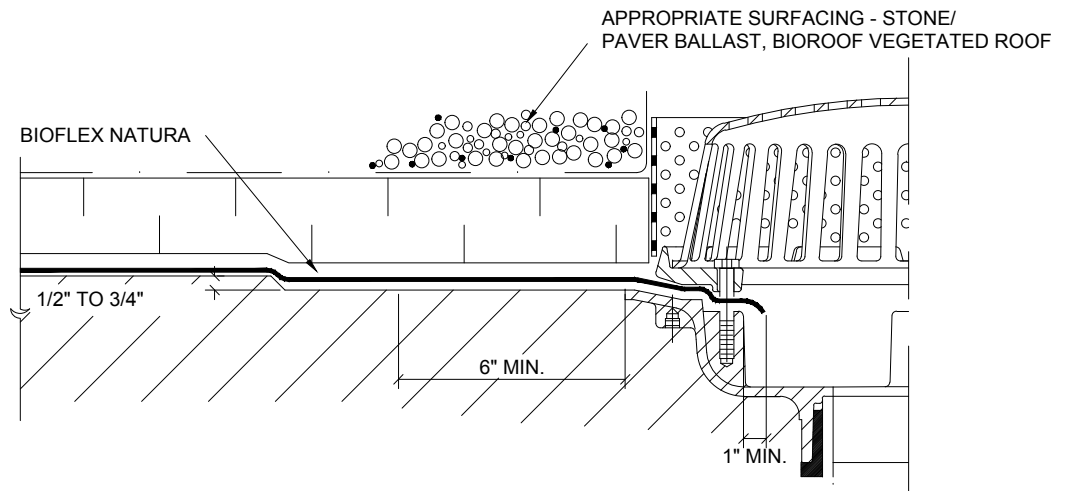
NOTES:

1. PENETRATION MUST BE PROPERLY SECURED TO STRUCTURE TO PREVENT VERTICAL OR LATERAL MOVEMENT. EXPOSED DECK CLAMPS ARE NOT APPROPRIATE.
2. ALL PIPE MATERIALS (PVC, COPPER, BRASS) REQUIRE ROUGHENING/SANDING, IN ADDITION TO WIPING W/SURFACE CONDITIONER FOR PROPER ADHESION OF BIOFLEX NATURA. METAL PIPES MUST BE FREE OF ALL OIL AND RUST.
3. IN COVERED/BURIED CONDITIONS, THE FLASHING DETAIL SHOULD EXTENDED AS HIGH AS POSSIBLE. FLASHING MUST BE TERMINATED AT OVERBURDEN LEVEL AND NO LESS THAN 8" ABOVE SUBSTRATE.



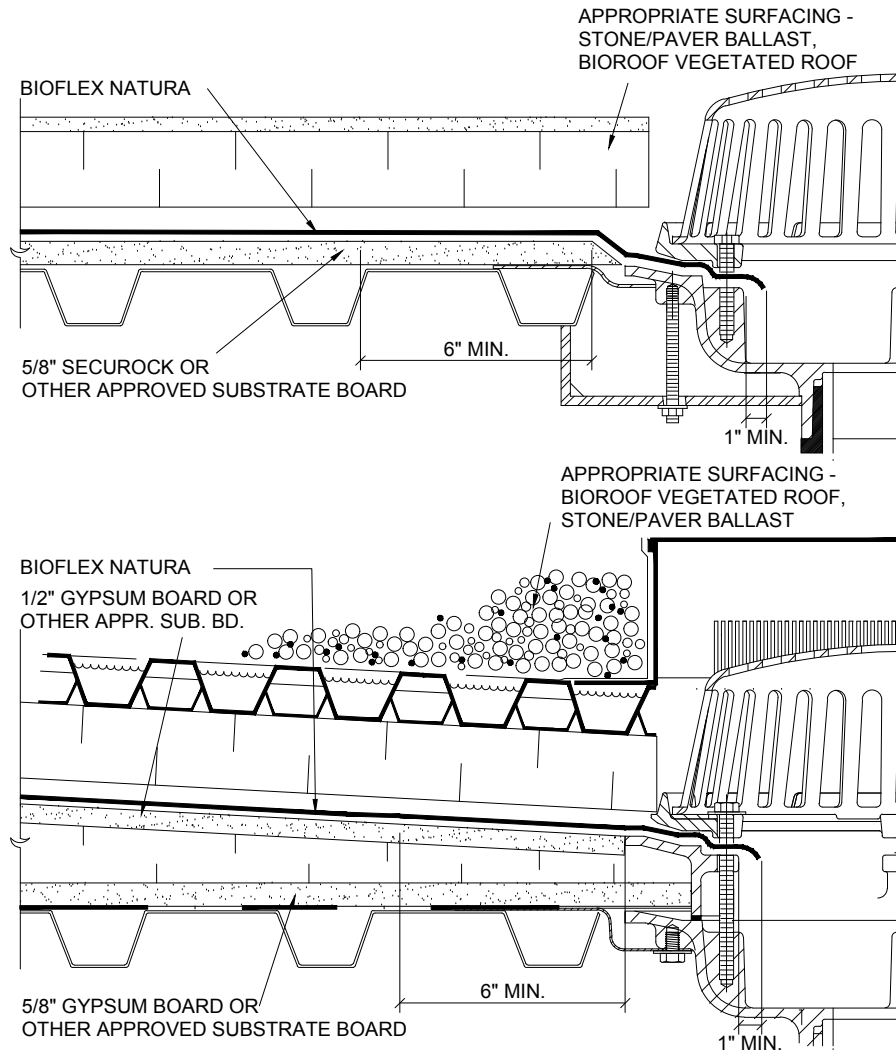
NOTES:

1. PENETRATION MUST BE PROPERLY SECURED TO STRUCTURE TO PREVENT VERTICAL OR LATERAL MOVEMENT.
2. ALL PIPE MATERIALS (PVC, COPPER, BRASS) REQUIRE ROUGHENING/SANDING, IN ADDITION TO WIPING W/SURFACE CONDITIONER FOR PROPER ADHESION OF BIOFLEX NATURA. METAL PIPES MUST BE FREE OF ALL OIL AND RUST.
3. IN COVERED/BURIED CONDITIONS, THE FLASHING DETAIL SHOULD EXTENDED AS HIGH AS POSSIBLE. FLASHING MUST BE TERMINATED AT OVERBURDEN LEVEL AND NO LESS THAN 8" ABOVE SUBSTRATE.
4. PV PANEL OR SUPPORT RACK SUPPLIER MUST BE CONSULTED FOR PROPER INSTALLATION AND ACCESSORY INFORMATION.



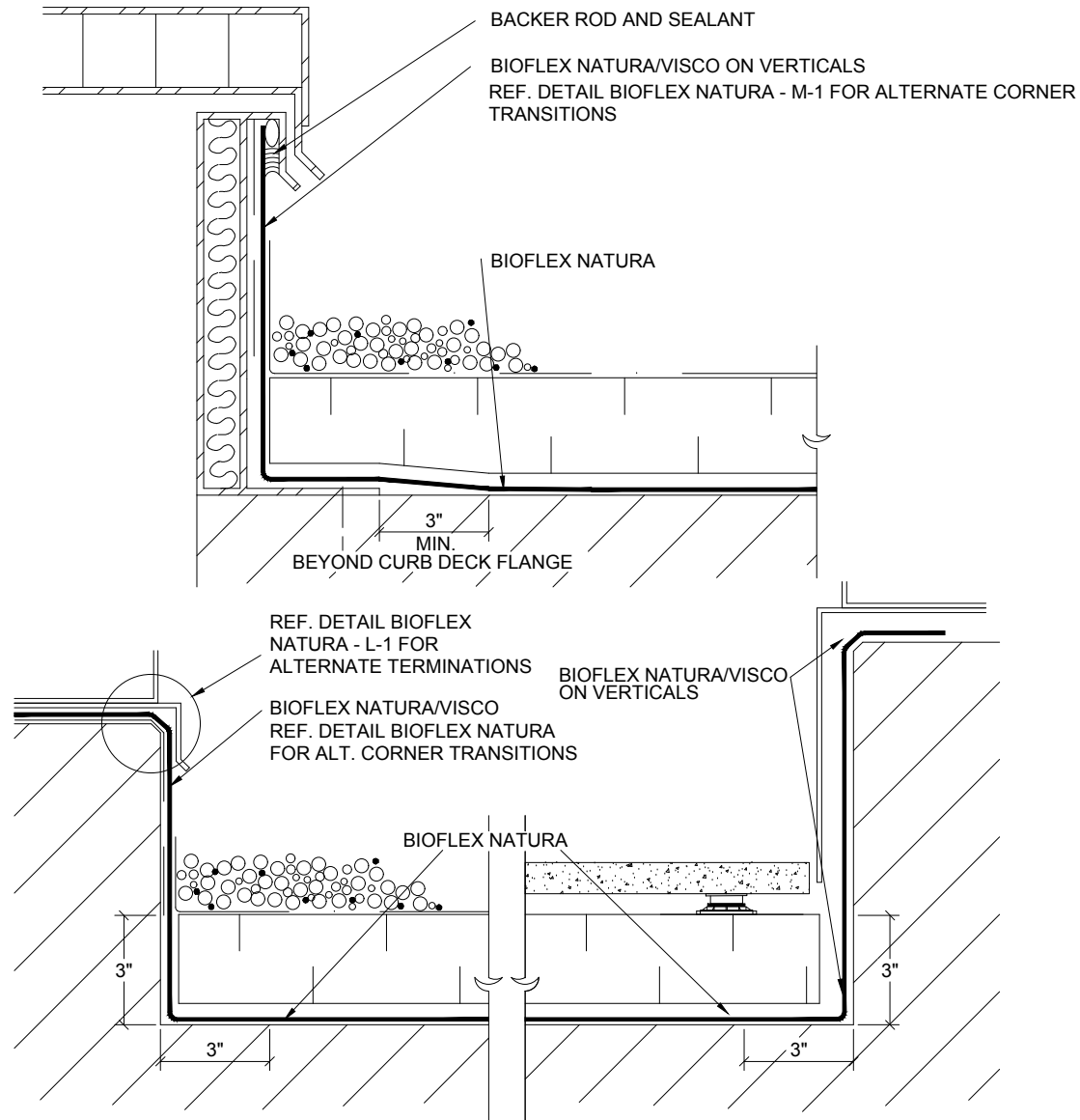
NOTES:

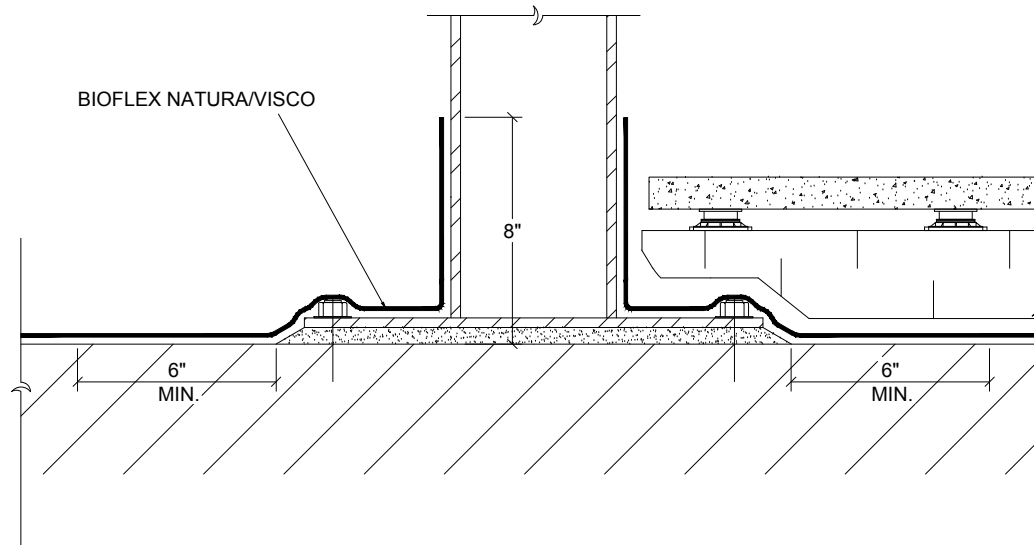
1. AREA AROUND DRAIN SHOULD BE DEPRESSED/SUMPED TO PROMOTE POSITIVE WATER DRAINAGE.
2. ALL DRAINS ARE REQUIRED TO HAVE FLASHING CLAMPING RING ASSEMBLIES. CONSULT SPECIFIC DRAIN MANUFACTURER FOR ADDL. ACCESSORIES (i.e., DEBRIS SCREENS, LOW-PROFILE DOMES, EXTENSIONS, ETC.)



NOTES:

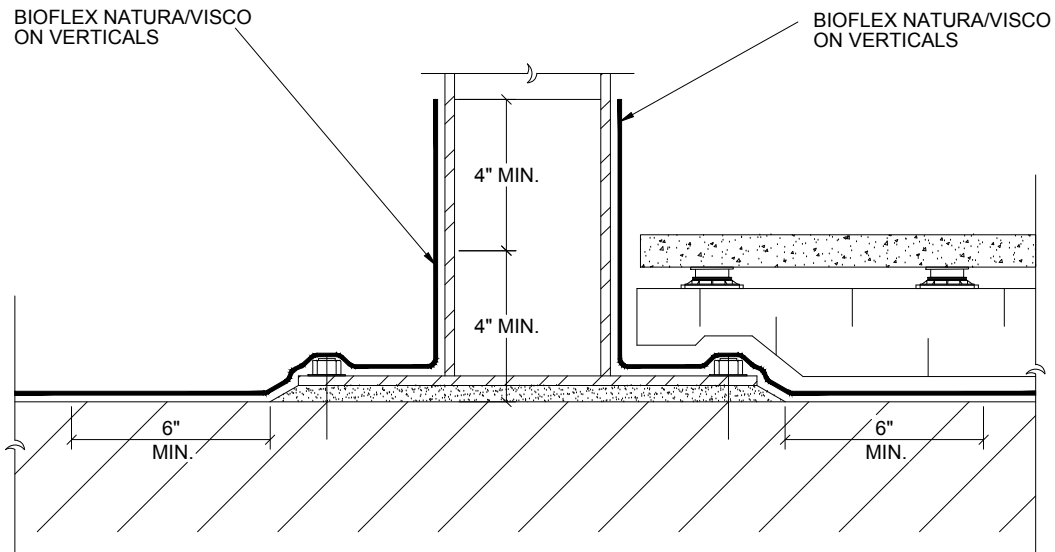
1. AREA AROUND DRAIN SHOULD BE DEPRESSED/SUMPED TO PROMOTE POSITIVE WATER DRAINAGE.
2. ALL DRAINS ARE REQUIRED TO HAVE FLASHING CLAMPING RING ASSEMBLIES. CONSULT SPECIFIC DRAIN MANUFACTURER FOR ADDL. ACCESSORIES (i.e., DEBRIS SCREENS, LOW-PROFILE DOMES, EXTENSIONS, ETC.)





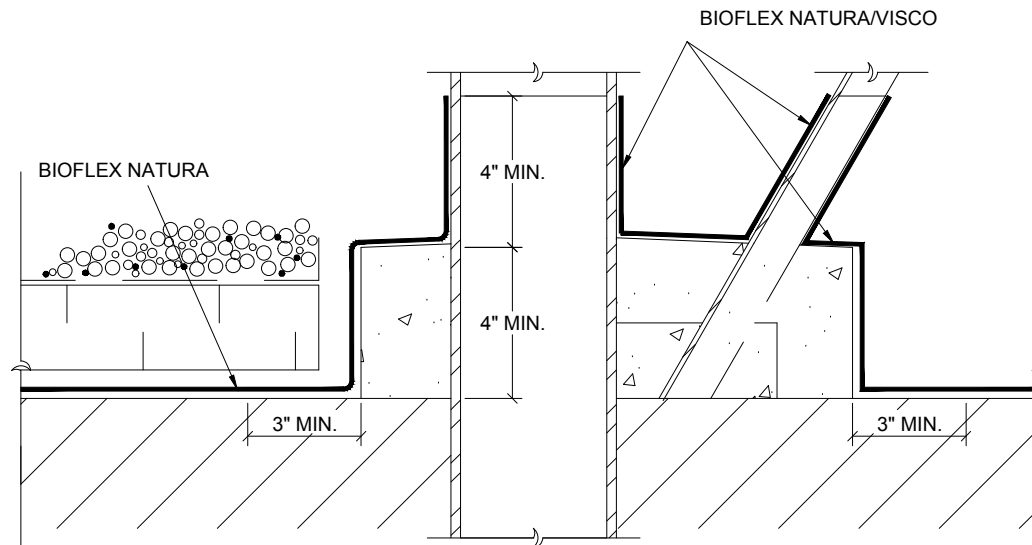
NOTES:

1. WHEN POSSIBLE, BIOFLEX NATURA SHOULD BE APPLIED UNDER PENETRATION BASE PLATE.
2. PENETRATION SURFACE MUST BE CLEAN AND FREE OF ALL RUST AND OTHER CONTAMINANTS, IN ADDITION TO WIPING W/SURFACE CONDITIONER FOR PROPER ADHESION OF BIOFLEX NATURA.
3. IN COVERED/BURIED CONDITIONS, THE FLASHING DETAIL SHOULD EXTENDED AS HIGH AS POSSIBLE. FLASHING MUST BE TERMINATED AT OVERBURDEN LEVEL AND NO LESS THAN 8" ABOVE SUBSTRATE.



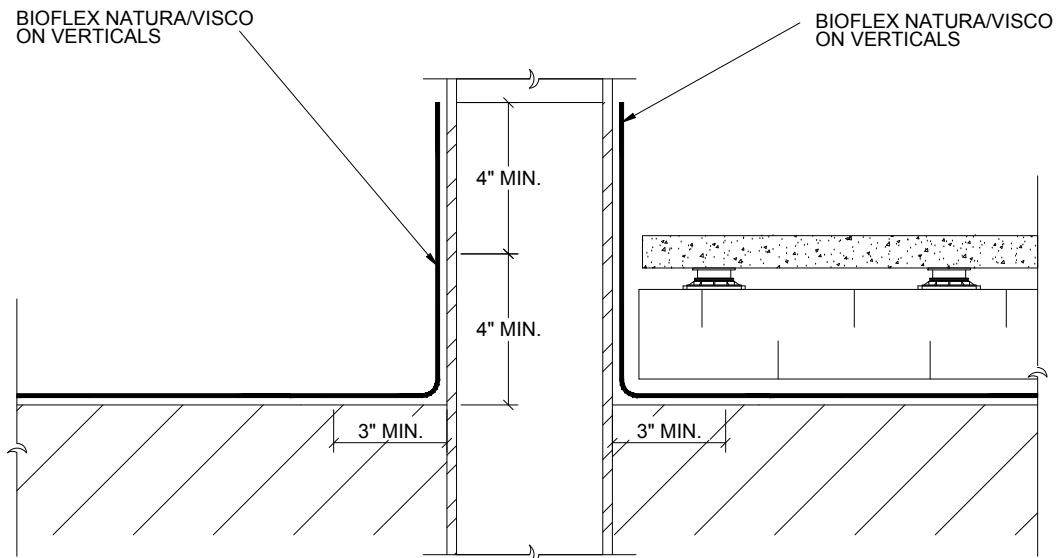
NOTES:

1. WHEN POSSIBLE, BIOFLEX NATURA SHOULD BE APPLIED UNDER PENETRATION BASE PLATE.
2. PENETRATION SURFACE MUST BE CLEAN AND FREE OF ALL RUST AND OTHER CONTAMINANTS, IN ADDITION TO WIPING W/SURFACE CONDITIONER FOR PROPER ADHESION OF BIOFLEX NATURA.
3. IN COVERED/BURIED CONDITIONS, THE FLASHING DETAIL SHOULD EXTENDED AS HIGH AS POSSIBLE. FLASHING MUST BE TERMINATED AT OR ABOVE OVERBURDEN LEVEL AND NO LESS THAN 8" ABOVE SUBSTRATE.
4. BIOFLEX NATURA/VISCO SHOULD BE APPLIED DIRECTLY OVER BIOFLEX NATURA



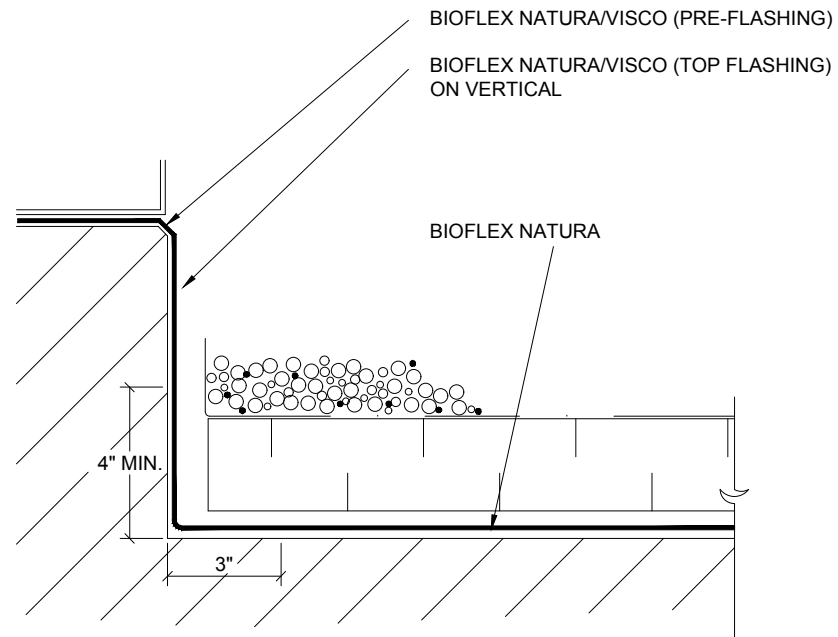
NOTES:

1. PENETRATION SURFACE MUST BE CLEAN AND FREE OF ALL RUST AND OTHER CONTAMINANTS, IN ADDITION TO WIPING W/SURFACE CONDITIONER FOR PROPER ADHESION OF BIOFLEX NATURA.
2. IN COVERED/BURIED CONDITIONS, THE FLASHING DETAIL SHOULD EXTENDED AS HIGH AS POSSIBLE. FLASHING MUST BE TERMINATED AT OR ABOVE OVERBURDEN LEVEL AND NO LESS THAN 8" ABOVE SUBSTRATE.
3. BIOFLEX NATURA/VISCO SHOULD BE APPLIED DIRECTLY OVER BIOFLEX NATURA
4. CAST-IN-PLACE CONCRETE CURBS MUST BE ALLOWED PROPER TIME TO CURE/DRY PRIOR TO THE APPLICATION OF BIOFLEX NATURA. (STR.WT. CONC.=28 DAYS, 14 DAYS MIN.; MODIFIED CONC. MATERIALS PER MANUFACTURER'S RECOMMENDATIONS)



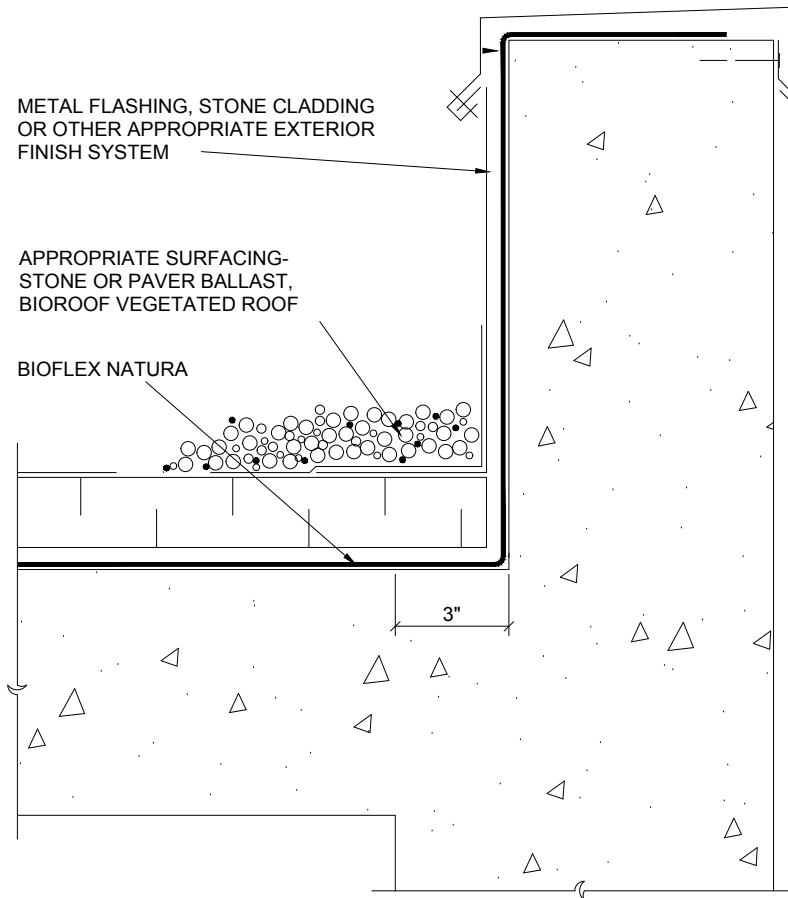
NOTES:

1. PENETRATION SURFACE MUST BE CLEAN AND FREE OF ALL RUST AND OTHER CONTAMINANTS, IN ADDITION TO WIPING W/SURFACE CONDITIONER FOR PROPER ADHESION OF BIOFLEX NATURA.
2. IN COVERED/BURIED CONDITIONS, THE FLASHING DETAIL SHOULD EXTENDED AS HIGH AS POSSIBLE. FLASHING MUST BE TERMINATED AT OR ABOVE OVERBURDEN LEVEL AND NO LESS THAN 8" ABOVE SUBSTRATE.
3. BIOFLEX NATURA/VISCO SHOULD BE APPLIED DIRECTLY OVER BIOFLEX NATURA



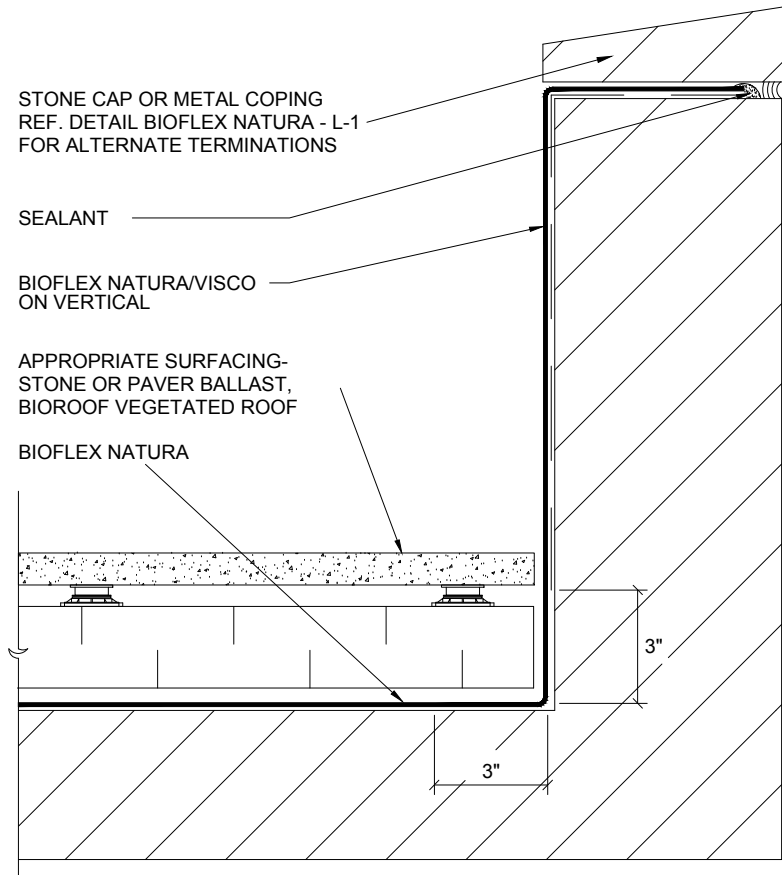
NOTES:

1. PENETRATION/CURB SURFACES MUST BE CLEAN AND FREE OF ALL RUST AND OTHER CONTAMINANTS.
2. FLASHING HEIGHTS AND CONTACT AREAS NOTED ARE MINIMUM REQUIREMENTS. GOOD ROOFING PRACTICE DICTATES THAT FLASHING TERMINATION POINTS EXTEND WELL ABOVE FINISHED BALLAST.

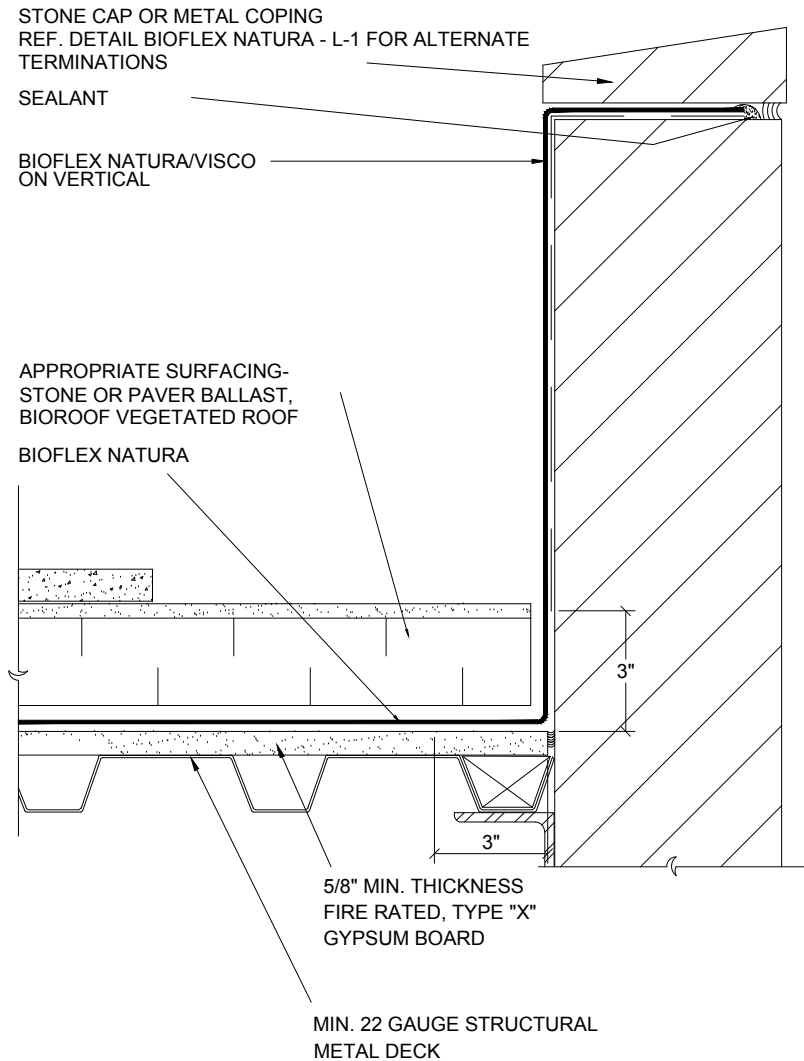


NOTES:

1. PARAPETS/CURBS COMPOSED OF CONCRETE BLOCK (CMU) MUST BE FLASHED WITH BIOFLEX NATURA/VISCO. (SEE INSET DETAIL)



- NOTES:
1. REFERENCE GUIDELINE DETAIL BIOFLEX NATURA - L-1 FOR ALTERNATIVE TERMINATIONS.
 2. REFERENCE GUIDELINE DETAIL BIOFLEX NATURA K-1 FOR ALTERNATE CORNER TRANSITION DETAILS, TIE-IN WITH BIOFLEX NATURA.
 3. BIOFLEX NATURA/VISCO MUST EXTEND 4" MIN. ONTO THE APPROVED SUBSTRATE BEYOND THE BIOFLEX NATURA TERMINATION.



NOTES:

1. ADEQUATE STRUCTURAL SUPPORTS, NUMBER AND TYPE OF FASTENERS REQUIRED TO COMPLY WITH APPLICABLE CODES, SHOULD BE DETERMINED BY PROJECT A/E.
2. BIOFLEX NATURA/VISCO MUST EXTEND 4" MIN. ONTO THE APPROVED SUBSTRATE BEYOND THE BIOFLEX NATURA TERMINATION.



www.bioflexroofs.com

Project: XXXXX

Detail: Typical Parapet Gypsum Board Metal Deck

This detail is intended for conceptual purposes only.

Drawn by: SB

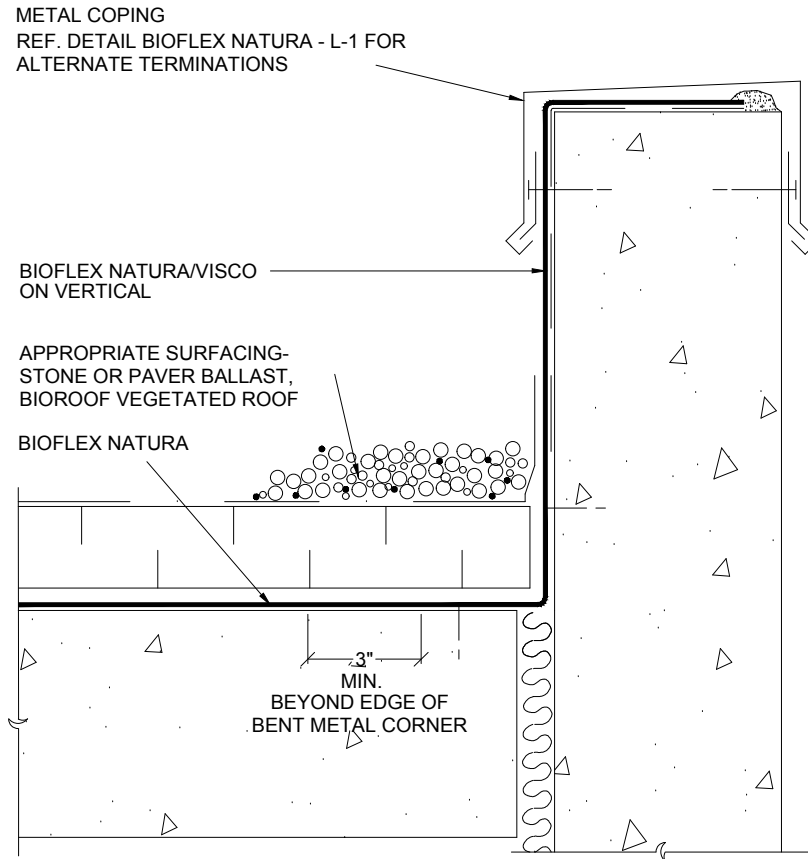
Scale: None

Sheet Number:

Date: 2/17/2022

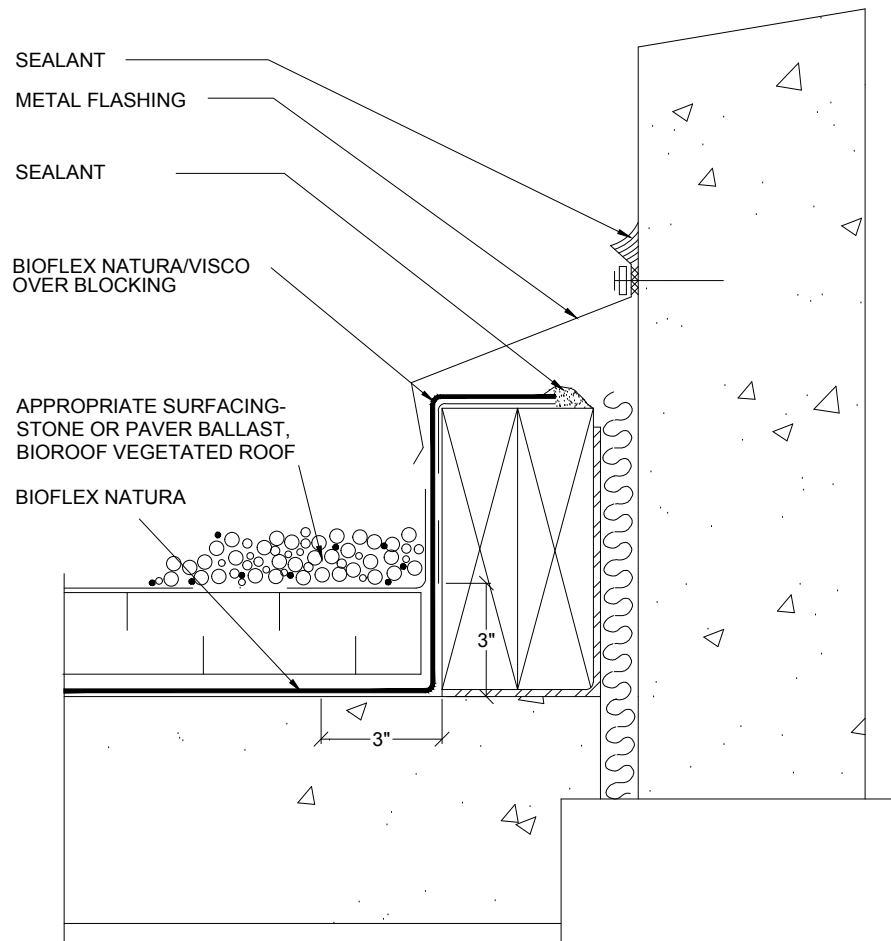
File Name:

BIOFLEX NATURA - J-3



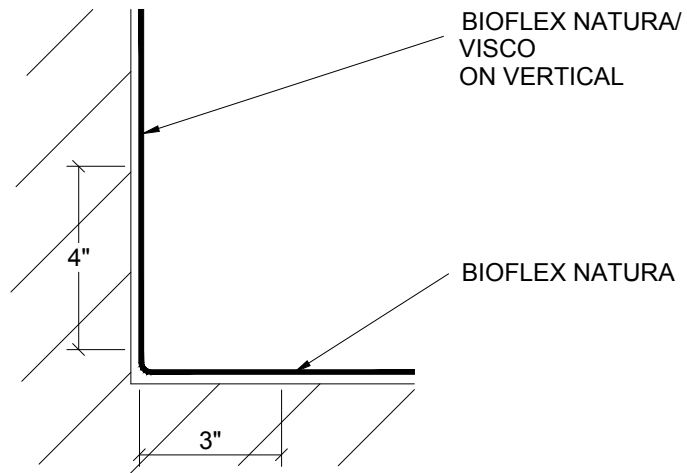
NOTES:

1. BENT SHEET METAL CORNER MUST BE OF SUFFICIENT GAUGE AND SECURED TO THE DECK AND WALL SUFFICIENTLY TO PREVENT BUCKLING.
2. METAL SUBSTRATE REQUIRE ROUGHENING/SANDING, IN ADDITION TO WIPING W/SURFACE CONDITIONER FOR PROPER ADHESION OF BIOFLEX NATURA. ALSO, IT MUST BE FREE OF ALL OIL AND RUST.
3. BIOFLEX NATURA/VISCO MUST EXTEND 4" MIN. ONTO THE APPROVED SUBSTRATE BEYOND THE BIOFLEX NATURA TERMINATION.



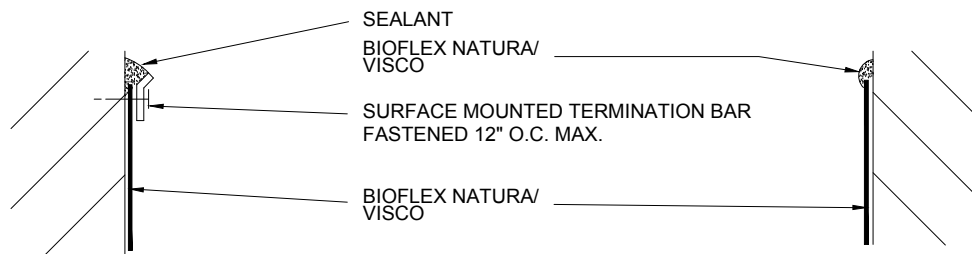
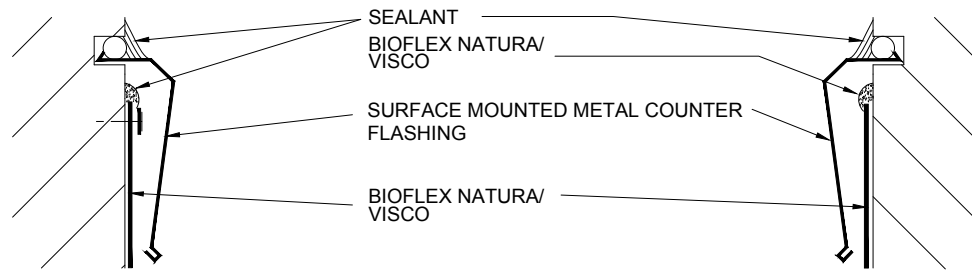
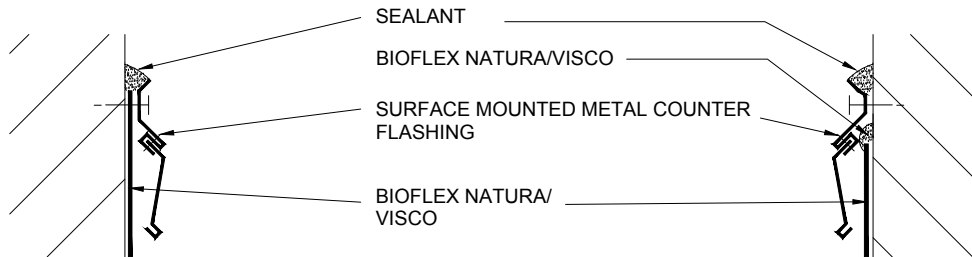
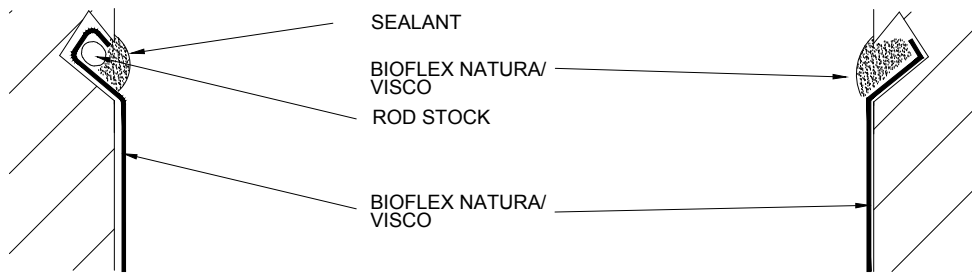
NOTES:

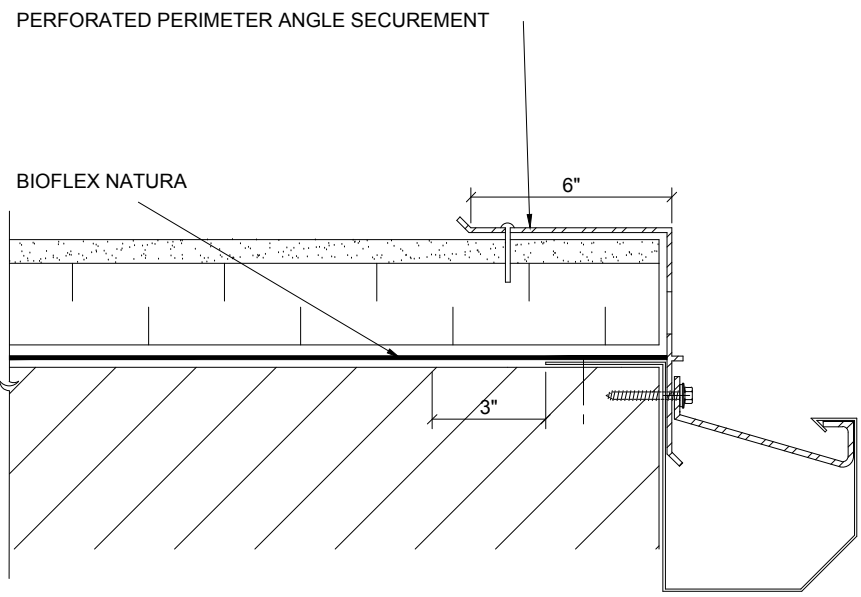
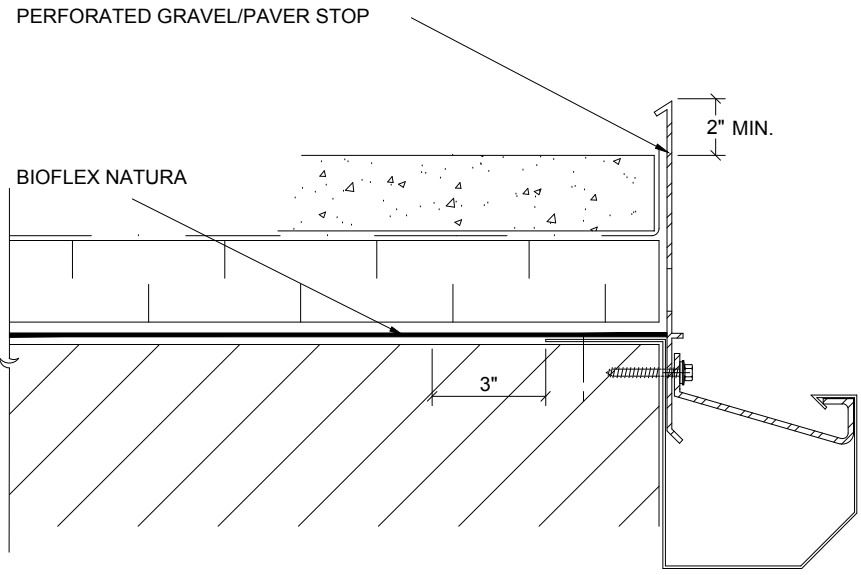
1. POURED-IN-PLACE CONCRETE OR CONCRETE BLOCK (CMU) MAY BE SUBSTITUTED FOR TREATED WOOD BLOCKING.
2. REFERENCE GUIDELINE DETAIL BIOFLEX NATURA - K-1 FOR ALTERNATE CORNER TRANSITION DETAILS, TIE-IN WITH BIOFLEX NATURA.
3. BIOFLEX NATURA/VISCO MUST EXTEND 4" MIN. ONTO THE APPROVED SUBSTRATE BEYOND THE BIOFLEX NATURA TERMINATION.



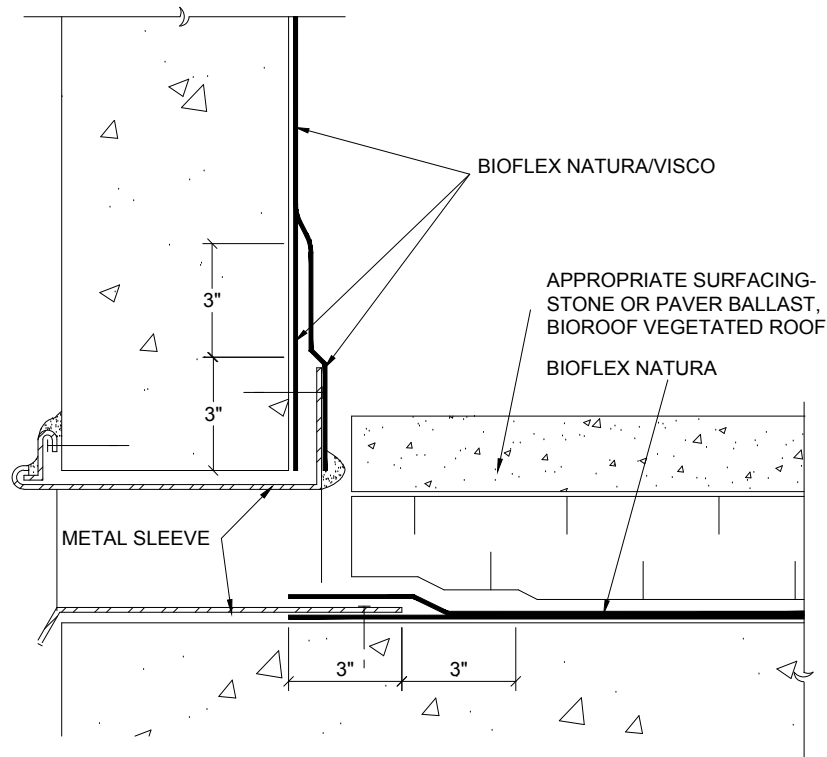
NOTES:

1. BIOFLEX NATURA/VISCO MUST EXTEND 4" MIN. ONTO THE APPROVED SUBSTRATE BEYOND THE BIOFLEX NATURA TERMINATION.



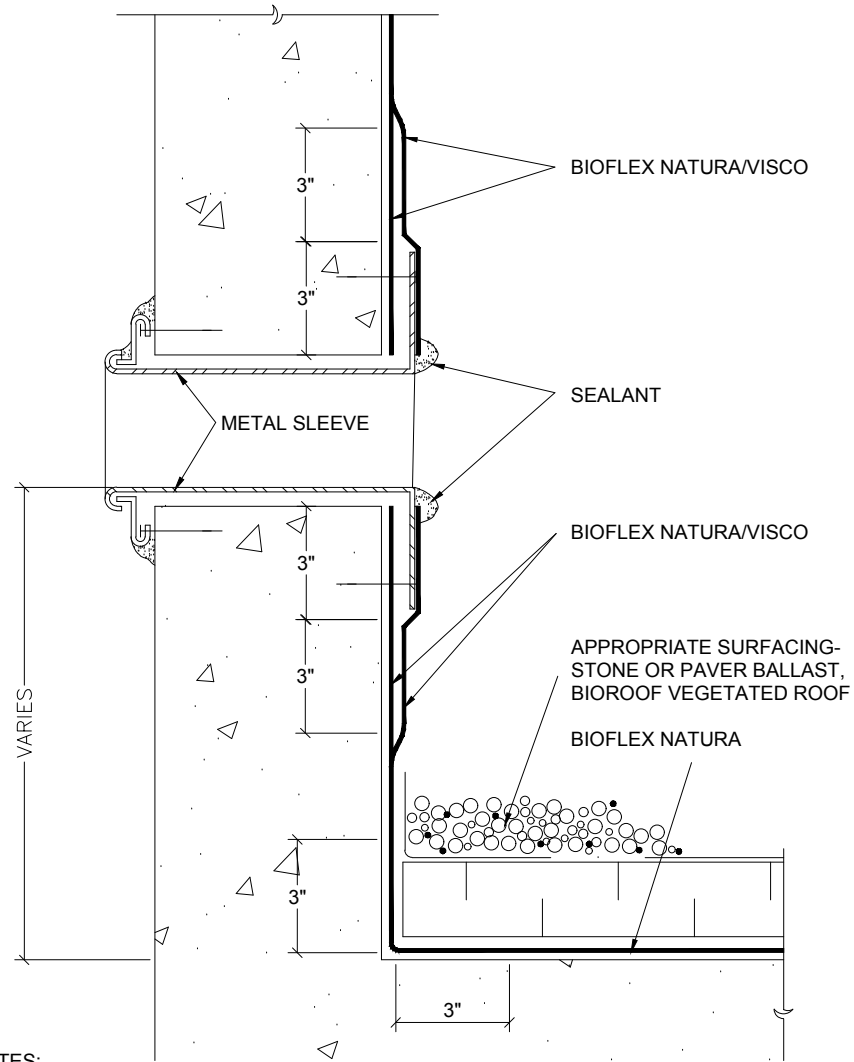


NOTES:
 1. EMBED GUTTER/GRAVEL STOP DECK FLANGE IN BIOFLEX NATURA WHENEVER POSSIBLE.



NOTES:

1. THE METAL SLEEVE SHOULD BE INSTALLED IN ONE PIECE OR COMPLETELY WELDED SHUT TO MAINTAIN A WATERTIGHT DETAIL INSIDE THE SCUPPER
2. METAL SUBSTRATE REQUIRE ROUGHENING/SANDING, IN ADDITION TO WIPING W/SURFACE CONDITIONER FOR PROPER ADHESION OF BIOFLEX NATURA. ALSO, IT MUST BE FREE OF ALL OIL AND RUST
3. WHEN GRAVEL/STONE BALLAST IS USED, A FILTER FABRIC MUST BE INSTALLED BETWEEN THE BALLAST AND STYROFOAM INSULATION



NOTES:

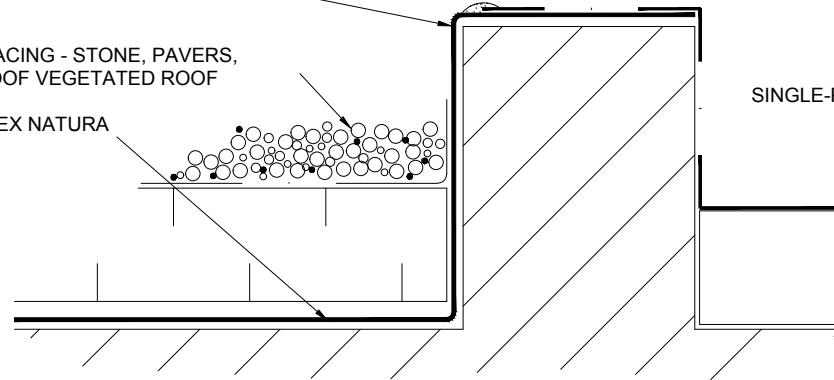
1. THE METAL SLEEVE SHOULD BE INSTALLED IN ONE PIECE OR COMPLETELY WELDED SHUT TO MAINTAIN A WATERTIGHT DETAIL INSIDE THE SCUPPER.
2. METAL SUBSTRATE REQUIRE ROUGHENING/SANDING, IN ADDITION TO WIPING W/SURFACE CONDITIONER FOR PROPER ADHESION OF BIOFLEX NATURA. ALSO, IT MUST BE FREE OF ALL OIL AND RUST
3. REFERENCE GUIDELINE DETAIL BIOFLEX NATURA - K-1 FOR ALTERNATE CORNER TRANSITION DETAILS AND BIOFLEX NATURA - L-1 FOR ALTERNATE TERMINATION DETAILS.

BIOFLEX NATURA/VISCO

SURFACING - STONE, PAVERS,
BIOROOF VEGETATED ROOF

BIOFLEX NATURA

SINGLE-PLY

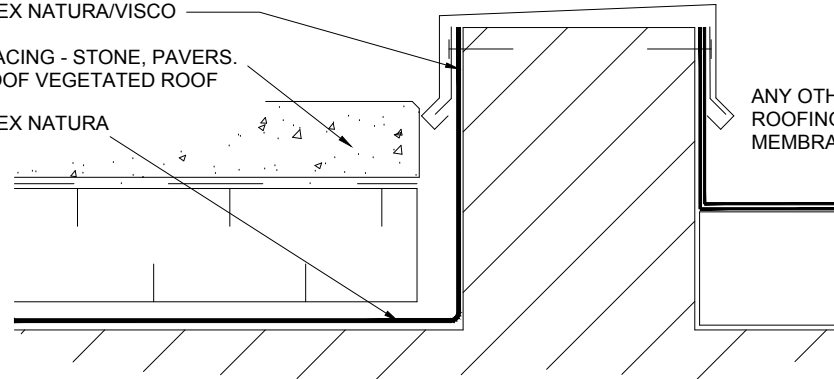


BIOFLEX NATURA/VISCO

SURFACING - STONE, PAVERS,
BIOROOF VEGETATED ROOF

BIOFLEX NATURA

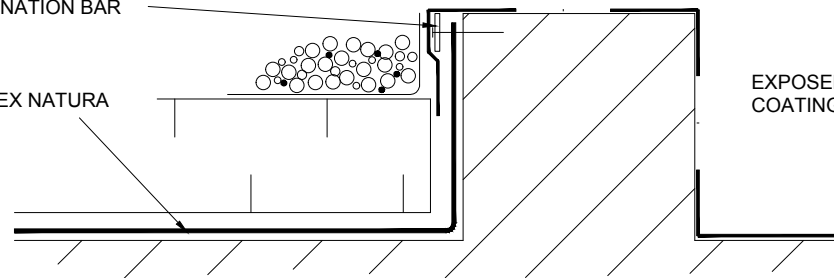
ANY OTHER
ROOFING
MEMBRANE/SYSTEM

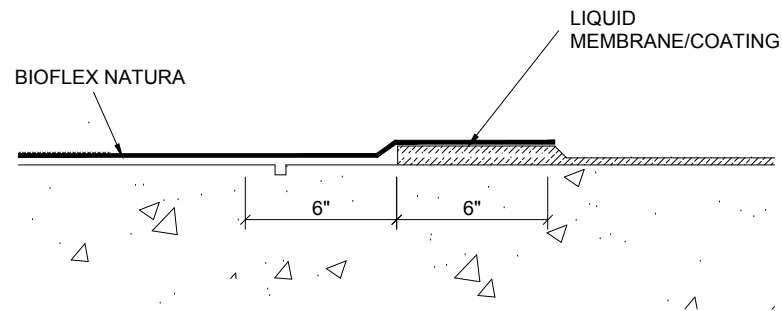
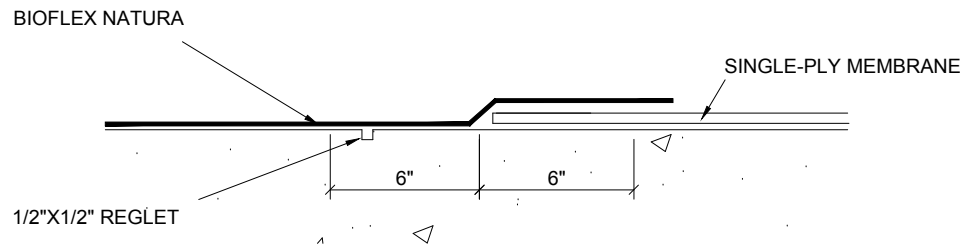
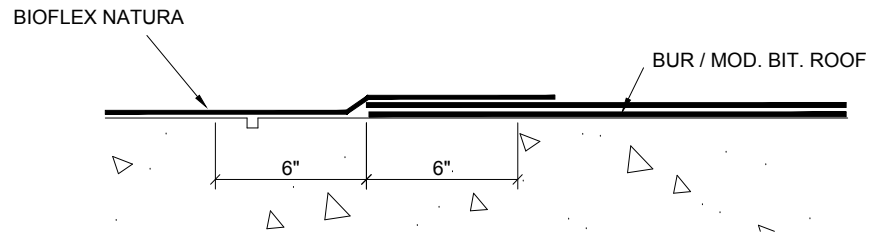


TERMINATION BAR

BIOFLEX NATURA

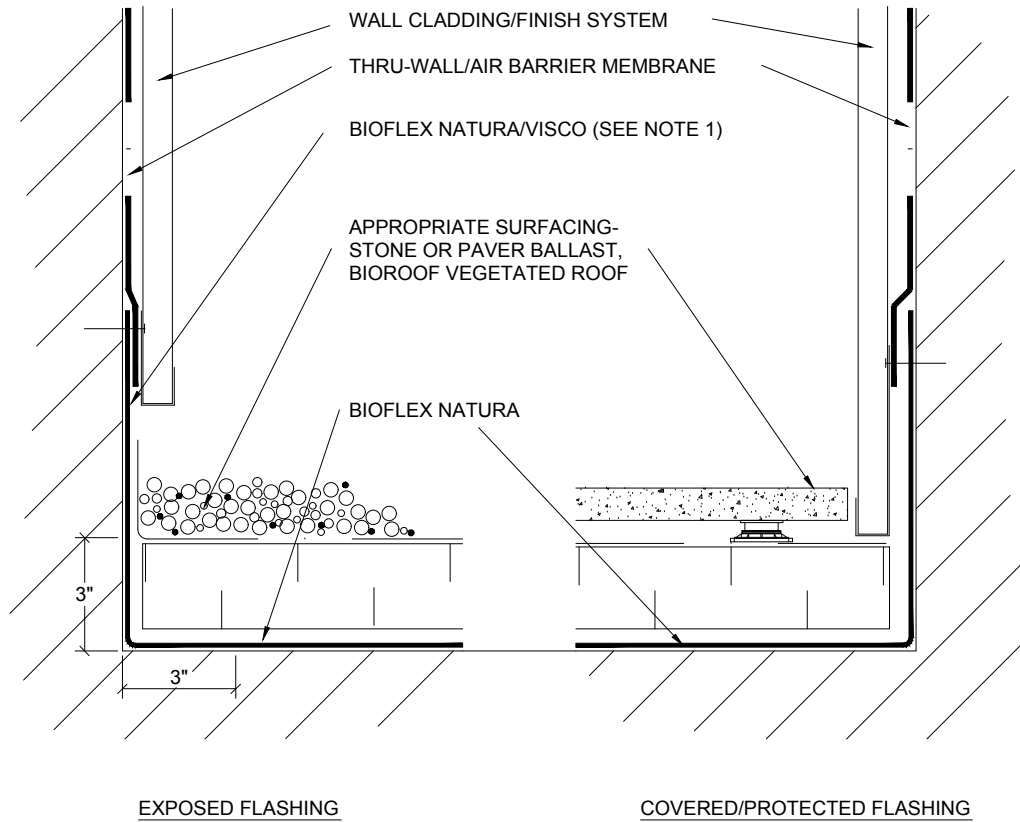
EXPOSED/TRAFFIC
COATING





NOTES:

1. CHECK WITH OTHER ROOFING MATERIAL SUPPLIER FOR SPECIFIC TIE-IN INSTRUCTIONS.



NOTES:

1. IF ANY PORTION OF THE MEMBRANE FLASHING DETAIL IS TO BE LEFT EXPOSED, BIOFLEX NATURA/VISCO MUST BE USED (DETAIL LEFT).