

# AMPS Atlanta 2017 Club Project

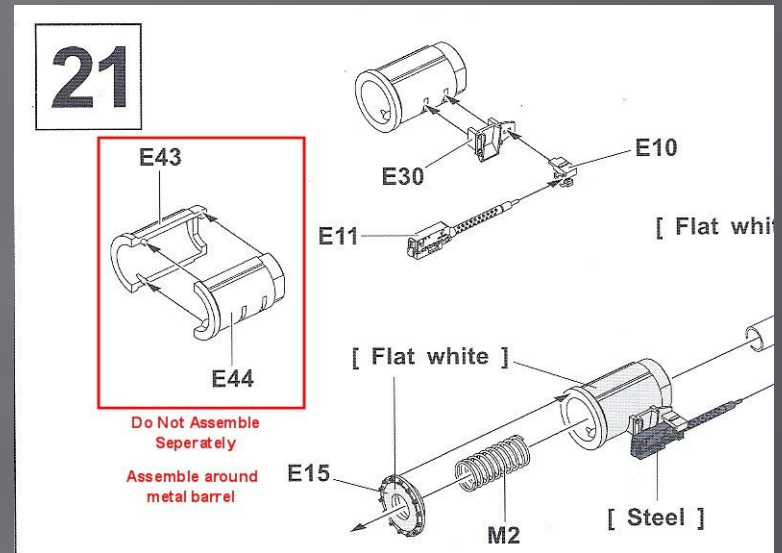


## PART 4

Steps : 21 – 30: Turret & Cmdr's Cupola

## Step 21

The instructions show Parts E43 and E44 being assembled, then sliding the barrel through them. This will **NOT** work. You must assemble E42 and E44 around the barrel.



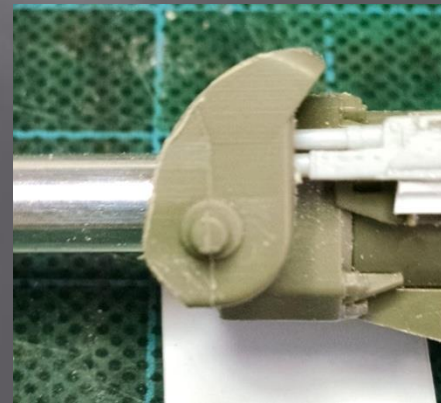
## Step 22

Pretty straight forward assembly, if you use kit parts

\*\*\*I used the Legends AM Gun Mantle, which requires some modification to part A3 if you don't cut the barrel as they suggest.



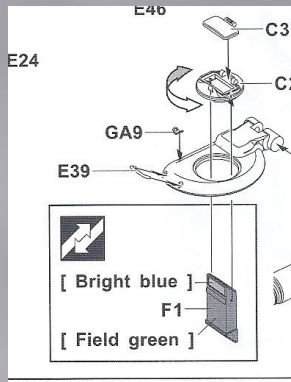
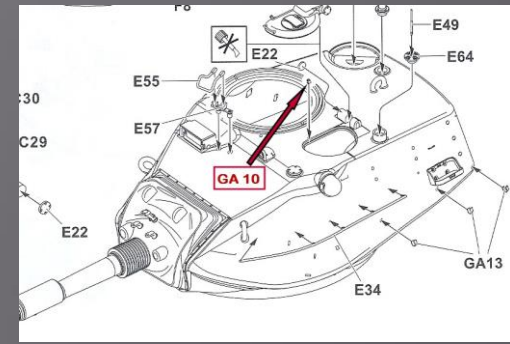
Kit Part



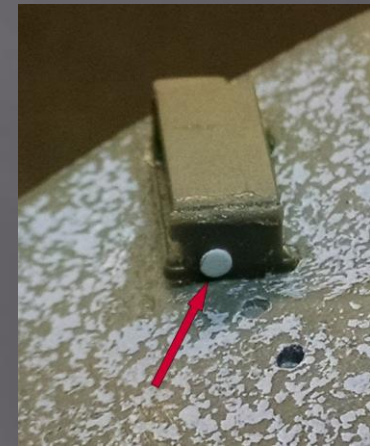
Modified Kit part

## Step 24

Here again a part # was left off of the instructions.  
Part **GA10** is part of the latch for the Loader's hatch



Part **F1** (Loader's periscope)  
is only used if the hatch will  
be closed



The finished Gunner's Sight housing has disks  
on both sides that cover the Armored Sight  
Cover mounts.



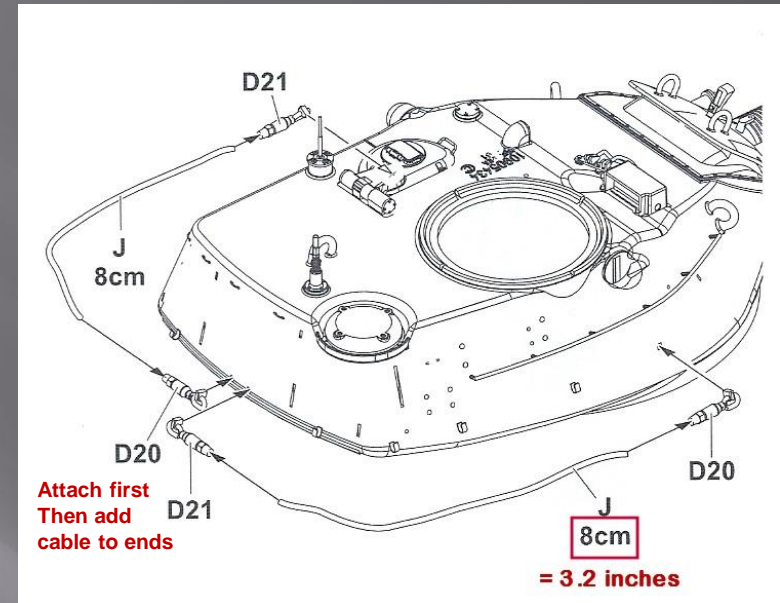
## Step 25

The measurements for the tow cables are given in CMs on the instructions....for those like me that like inches, the equivalent is approximately **3.2 inches**, not including the plastic ends (D20 & 21).

\* A .70 micro drill bit works well for drilling out the ends.

**Hint:** Pre-drill all 4 ends, then glue the 2 ends on the back of the turret. This will make it easier to attach the cables and give a stable platform to work from.

# I actually assembled and mounted the Bustle Rack before adding the tow cables



## Step 26 : Bustle Rack

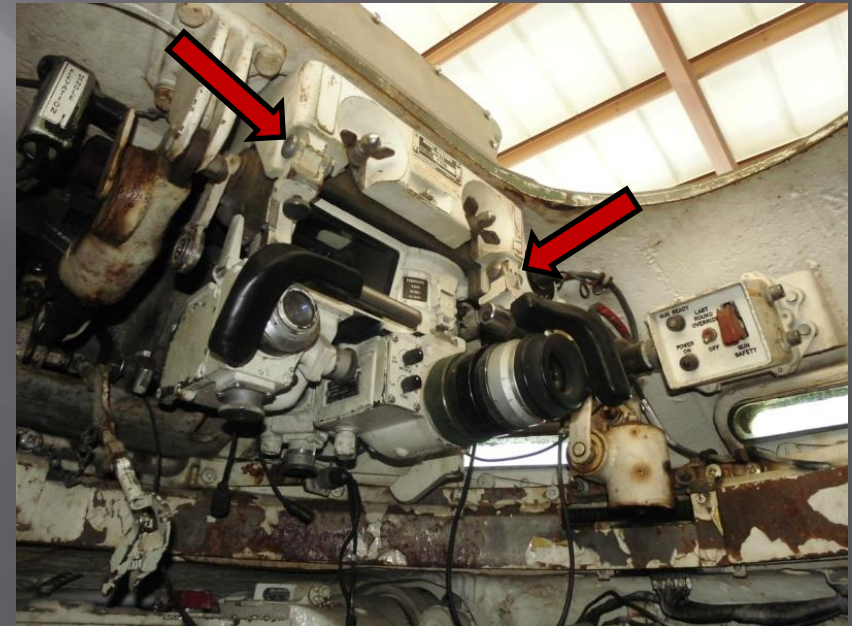
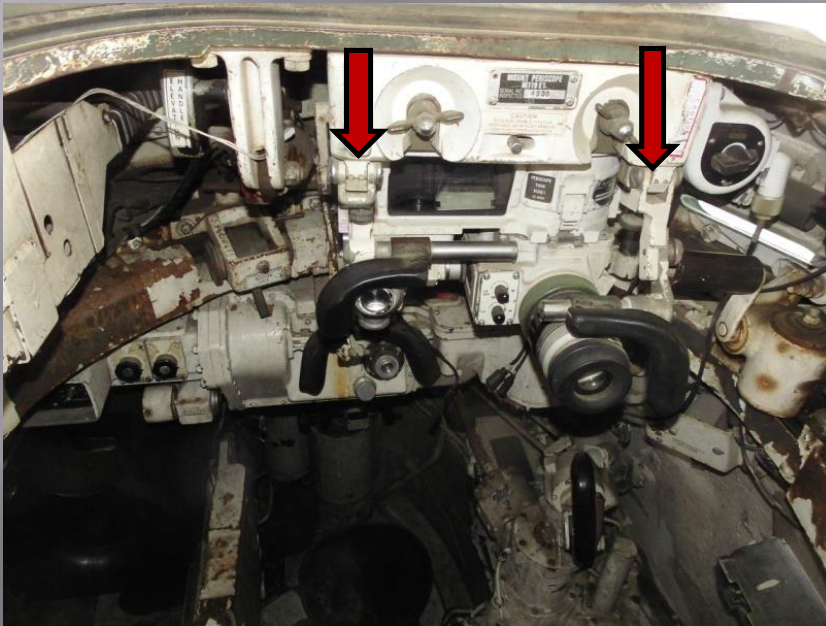
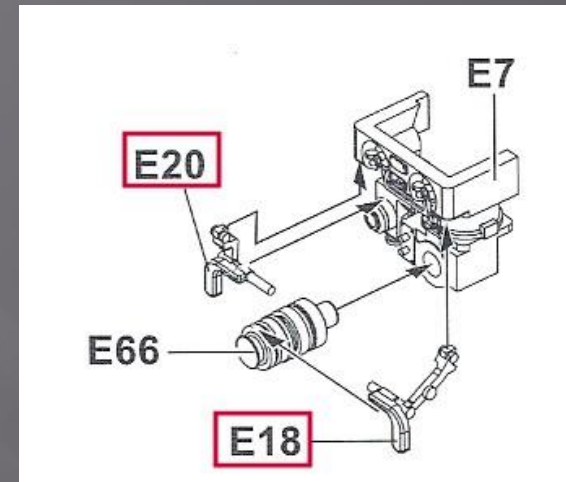
1. Use a razor saw (if you have one) to cut Parts E28, E79, and E80 off of the sprue. **They are VERY fragile**
2. Completely assemble all of the bustle rack parts (E28, E79 & E80) before attaching the brass wire mesh. This gives strength to the rack when attaching the wire mesh.
3. Use the handle of an Xacto Knife to mold Part GB3 before attaching to the rack.

\*\*\*This is a **VERY** labor intensive step dealing with **VERY** fragile parts.

## Step 27

The Commander's sighting station has two parts, E18 & E20. The attachment of these parts is not that clear on the instructions.

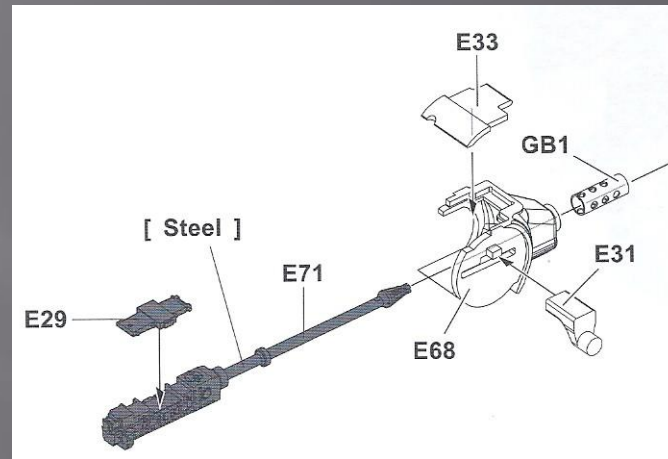
Here are pictures of the real thing.  
**Arrows show attachment points**



## Step 27 Con't

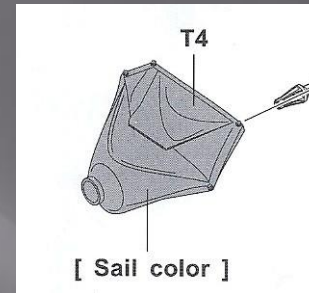
If you are using the Legends AM Kit, you will not have to assemble the 50 Cal mount.

Also **Do Not** attach part E8 to cupola



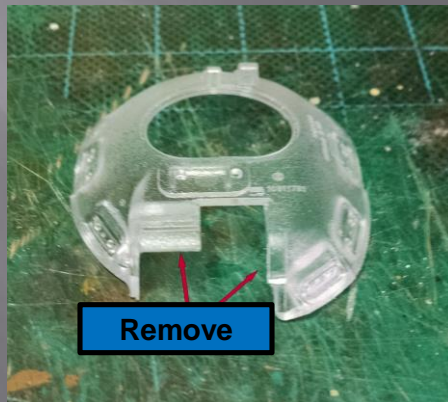
## Step 28

Again if you are using the Legends AM kit you will not use kit part T4.



\*\*\*When using the Legends AM Kit, Part F 10 needs to be modified as shown.

Before



After

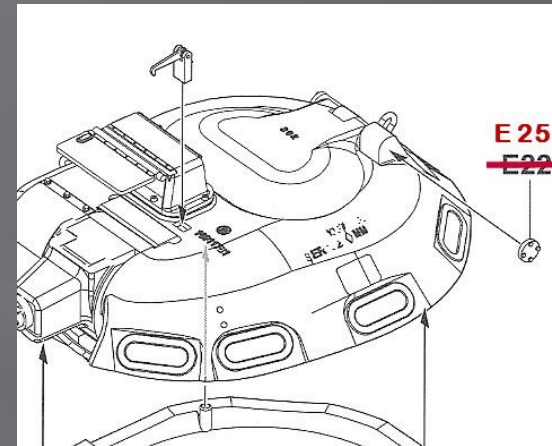




## Step 28

Two mislabeled parts, **E22** should be **E25**.

Also **E25** on Cmdr's hatch goes on the opposite side as depicted on the instructions



Part **E24** is depicted wrong for the “open” position. It should be mounted **180 degrees** from depiction.



## Step 29

This step is about the assembly of the Xenon Search Light. Initial M60A1s and some M60A1 RISE versions had these types of lights. Later version M60A1 RISE and M60A1 RISE Passive tanks used the smaller IR Search Lights. Later version M60A1 RISE Passive versions had no search lights.

Xenon



IR



\*\*\*If you want to mount the IR Search Light, you will have to get it from another model or an AM Kit.



Possible kits to get an IR light are Legends LF 1031 or the AFV Club M60A3 kit (A3s had no search lights)



## Turret Modifications/Add-ons for the M60A1 RISE and RISE Passive versions

Smoke Dischargers along with their Smoke Grenade Storage boxes need to be fitted on the turret.



Mounts for the Dischargers are different on each side.  
(Facing Tank)

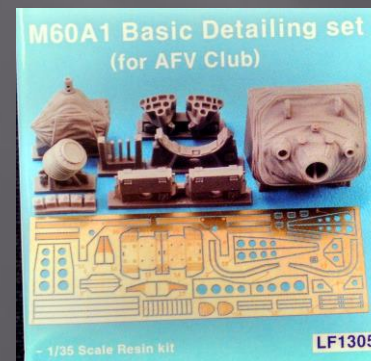


Left Side



Right Side

\*\*\*The Legends AM kit (1305) has the Dischargers and Storage Boxes







My finished Turret. Hatches will be open as I am planning to use figures.



Turret hand railing will be added when stowage is added later.



Turret and hull fitted together, ready for painting. Wheels, track and stowage to be added after painting



# AMPS Atlanta 2017 Club Project

## Next Month – Painting Schemes

