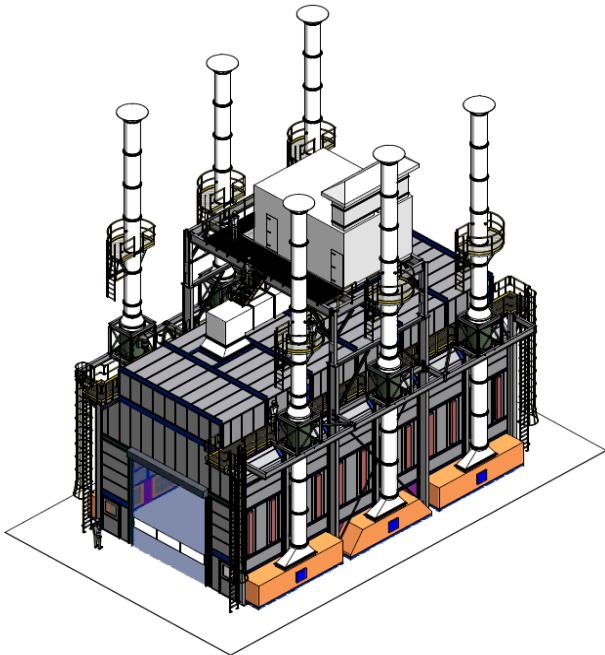
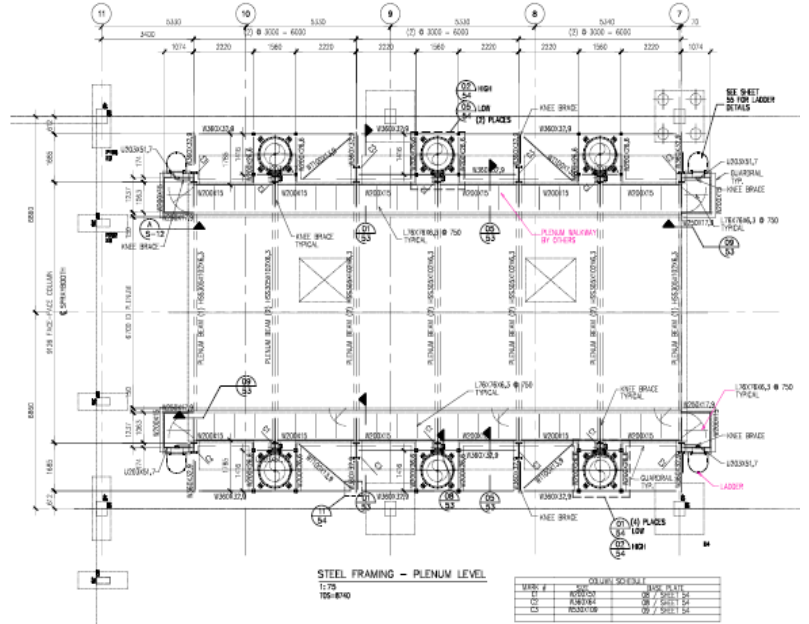




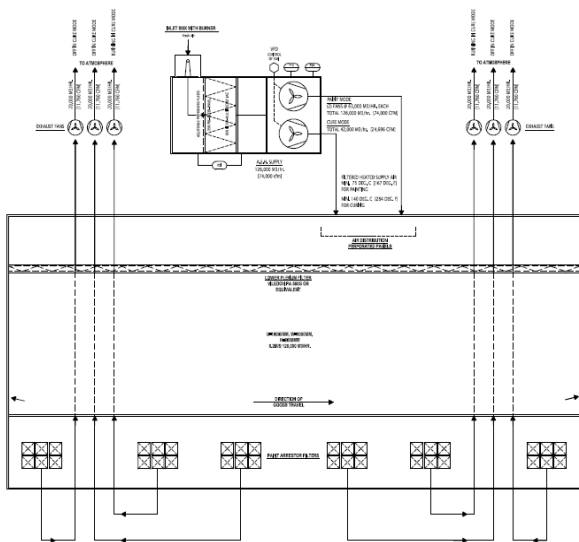
DESIGN SERVICES



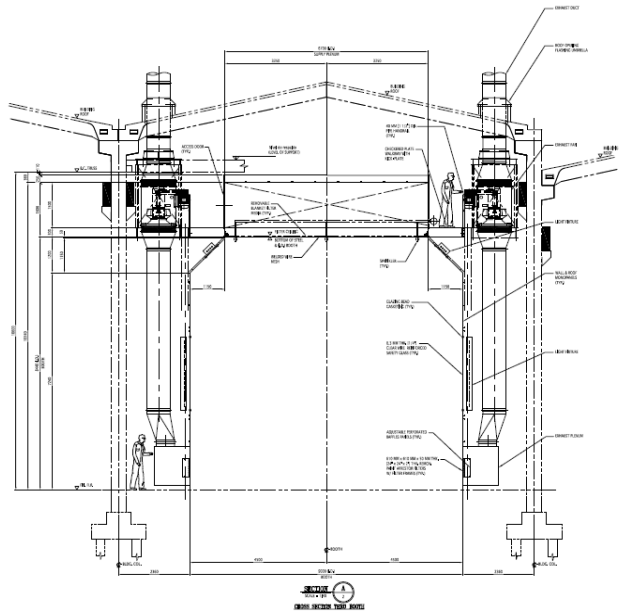
3D CAD



P.E. Structural Drawings



Flow Diagrams



General L/O's & Sections