



PRODUCTS CATALOG



NP ALUNEX
(CAMBODIA) CO., LTD

Table Content

About Us.....	1
Product Types	2
Ceilings.....	3
Sun Control.....	21
Facades.....	33

ABOUT US

Who We Are?

In the past, architects and designers often faced challenges in turning their concept designs into reality—especially when it came to finding the right suppliers and technical support. Listening to our clients’ needs, we envisioned a company that goes beyond just supplying materials. Our goal has always been to support our clients from the earliest design stage all the way through to final installation.

NP Alunex is a Cambodia-based company founded by Cambodians, specializing in the supply and installation of high-quality aluminum materials, including **Ceilings, Sun Louvers, and Facades**. We proudly serve both commercial and residential clients, offering free consultation services to ensure architects and designers have the detailed product knowledge they need to bring their ideas to life.

Our Background

NP Alunex began its journey under the name “**ALCAM**” in 2019. It was founded by a group of Cambodian professionals with over a decade of experience in the architectural products industry. Starting as product consultants, they brought together deep knowledge of the market, product expertise, and a strong understanding of customer needs to establish a small business.

Driven by dedication, industry insight, and a commitment to quality, the business steadily grew over the years. In 2025, it was officially registered as **NP Alunex**, marking a major milestone in its transformation into a fully recognized and trusted company in the field.



PRODUCT TYPES

CEILING



At **NP Alunex**, we believe a ceiling is more than just an overhead surface—it is a canvas for design and an essential element of your space. We provide both standard and custom ceiling options that can be adapted to meet any project scope or budget. We also offer comprehensive solutions designed to meet your project's unique functional and aesthetic requirements.

SUN CONTROL



With decades of experience in exterior sun control systems, we provide the knowledge and expertise to seamlessly integrate louvers into your building's architecture. We deliver more than just a shading device—we deliver a comprehensive solution that enhances a building's façade, offers exceptional sun protection, and creates a more inviting interior space. Our commitment to quality, combined with a wide array of customizable designs and materials, ensures that every project achieves its full potential for both visual appeal and environmental performance.

FACADES



For architects who demand the ultimate in both aesthetics and resilience, our facade systems provide the definitive solution. We have adapted high-performance technology to deliver a product that sets new benchmarks for durability and design versatility. The result is an architectural facade that empowers you to create iconic designs with the confidence that they will endure, protected against even the most extreme environmental elements.



CELLI



NGS



AX-S300 Curved

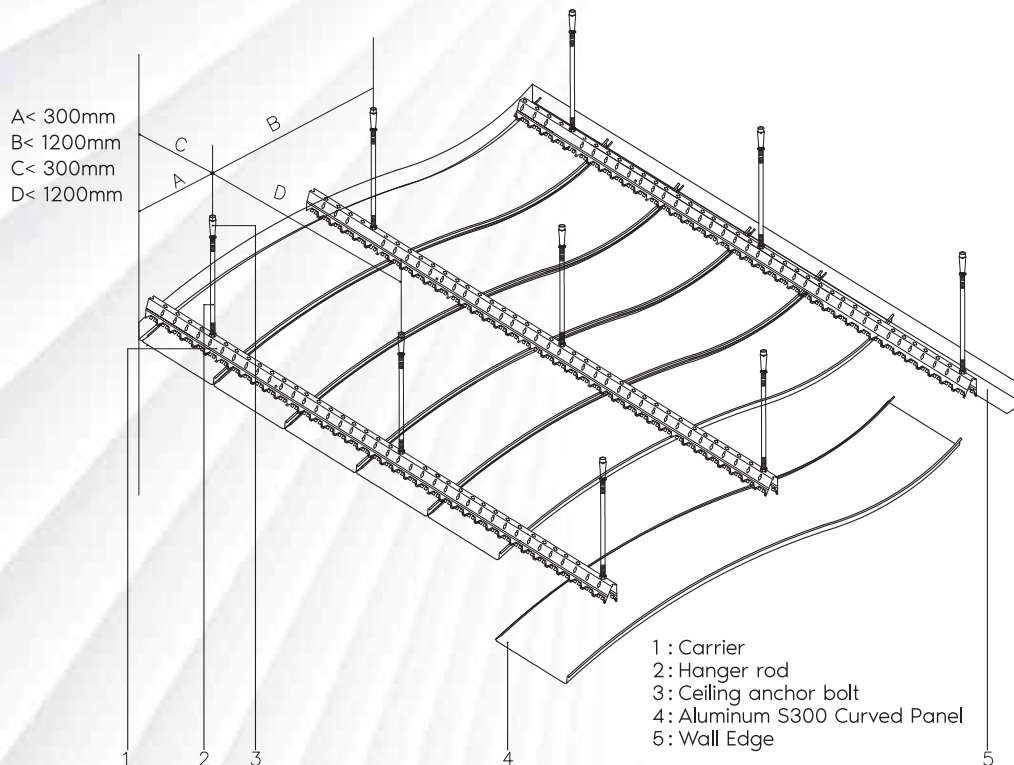


CEILINGINGS

AX-S300 Curved

Product Design

The AX-S300 Curved Ceiling by NP Alunex redefines architectural elegance with its smooth, flowing lines and dynamic curvature. Designed to inspire upward gazes, this ceiling system is perfect for creating, undulating and softly arched interiors in commercial and institutional spaces.

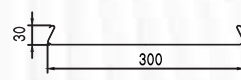


Technical Overview

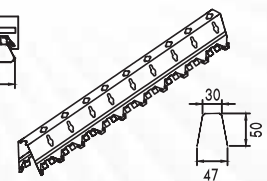
The AX-S300 Curved Ceiling System offers a sleek, closed ceiling surface designed to elevate architectural aesthetics. Engineered for versatility and acoustic performance, this system features optional perforations and a flexible curvature that adapts seamlessly to custom design requirements.

Technical Specifications:

- + Material : Aluminum / Steel
- + Panel Width: 300 mm
- + Panel Thickness: 0.5 mm to 0.7 mm
- + Panel Length: 3000mm
- + Curvature: customizable
- + Surface Finish: optional perforation for enhanced acoustics
- + Color: Customizable in any RAL color
- + Installation: Clip-in system



AX-S300 Curved Profile



Carrier Profile



AX-C85

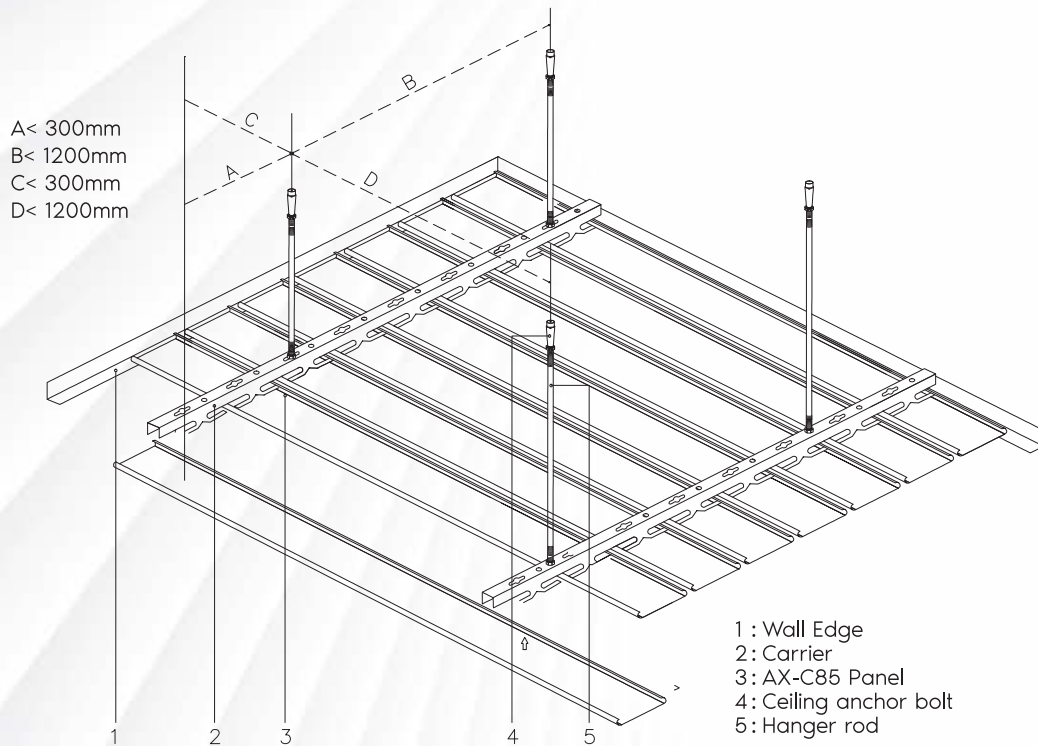


CEILINGINGS

AX-C85

Product Design

The AX-C85 Linear Ceiling with Open Gap by NP Alunex introduces a sleek, contemporary aesthetic through its precise grid structure and intentional spacing. Engineered for modularity and visual rhythm, this ceiling system features parallel carrier and defined open gaps that create a sense of depth and linear flow. Ideal for commercial and institutional environments, the AX-C85 system offers both functional accessibility and architectural refinement, allowing for dynamic lighting integration and enhanced spatial perception.

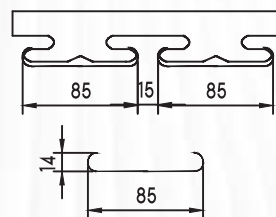


Technical Overview

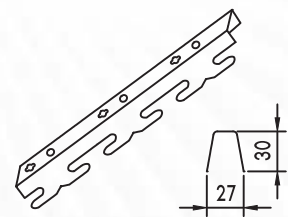
The AX-C85 system presents a sleek, open-surface ceiling solution that enhances architectural expression through its clean lines and modular flexibility. Designed to accommodate both interior and exterior applications.

Technical Specifications:

- + Material : Aluminum / Steel
- + Panel Width: 85 mm
- + Opened gap: 15mm
- + Panel Thickness: 0.5 mm to 0.7 mm
- + Panel Length: 3000mm
- + Curvature: customizable
- + Color: Customizable in any RAL color
- + Installation: Clip-in system



AX-C85 Profile



Carrier Profile



AX-S100/S150/S300 Straight

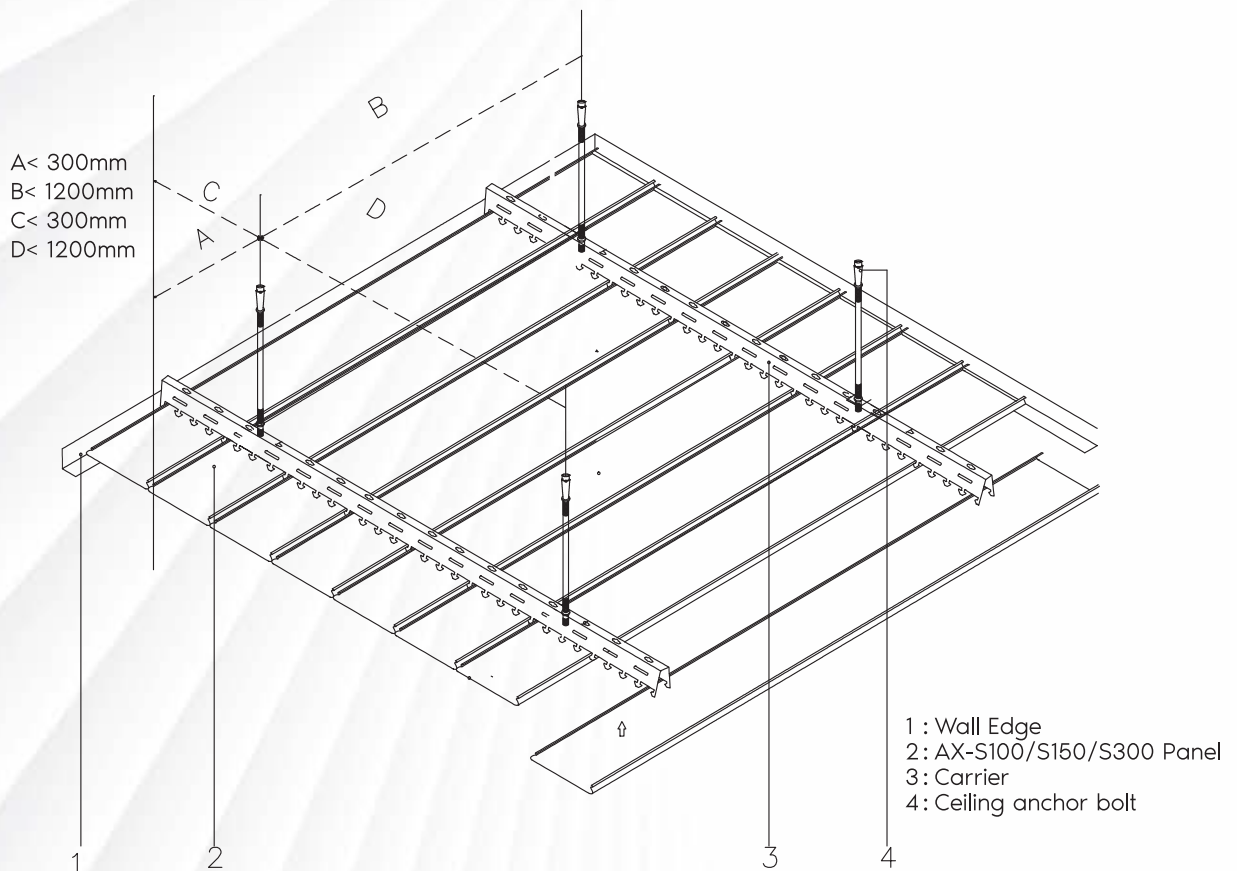


CEILINGINGS

AX-S100/S150/S300 Straight

Product Design

The AX-S100/S150/S300 Linear Ceiling by NP Alunex embodies modern precision with its clean, continuous surface and tightly closed joints. In addition, this system offers a refined architectural finish through its parallel alignment and seamless integration.

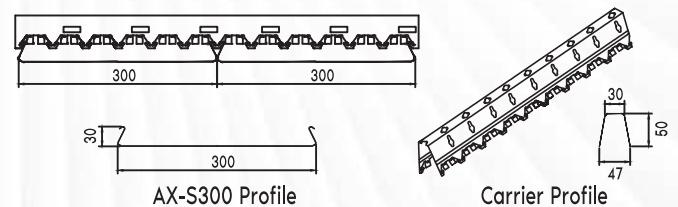
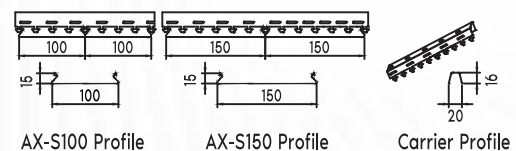


Technical Overview

The AX-S100/S150/S300 system presents a sleek, closed ceiling solution that enhances architectural expression through its clean lines and modular flexibility. Designed to accommodate interior applications.

Technical Specifications:

- + Material : Aluminum / Steel
- + Panel Width: 100mm/150mm/300mm
- + Panel Thickness: 0.5 mm to 0.7 mm
- + Panel Length: 3000mm
- + Curved design capability
- + Color: Customizable in any RAL color
- + Installation: Clip-in system





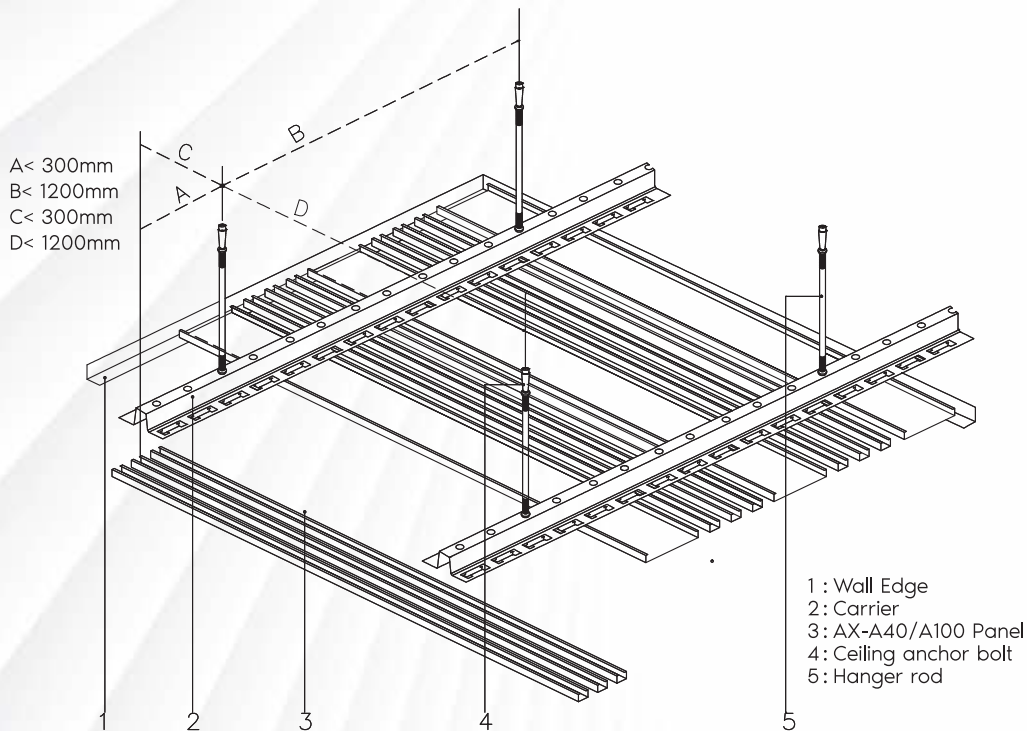
**AX-A40/
AX-A100**

CEILINGS

AX-A40/A100

Product Design

The AX-A40/A100 Linear Ceiling with Open Gap by NP Alunex introduces a sleek, contemporary aesthetic through its precise grid structure and intentional spacing. Engineered for modularity and visual rhythm, this ceiling system features parallel carrier and defined open gaps that create a sense of depth and linear flow. Ideal for commercial and institutional environments, the A40/A100 system offers both functional accessibility and architectural refinement, allowing for dynamic lighting integration and enhanced spatial perception.

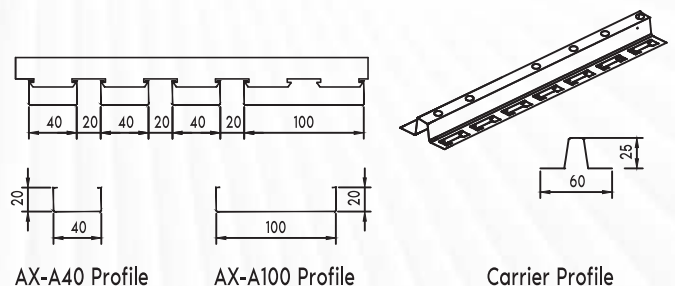


Technical Overview

The AX-A40/A100 system presents a sleek, open-surface ceiling solution that enhances architectural expression through its clean lines and modular flexibility. Designed to accommodate both interior and exterior applications.

Technical Specifications:

- + Material : Aluminum / Steel
- + Panel Width: 40mm / 100mm
- + Opened gap: 20mm
- + Panel Thickness: 0.5 mm to 0.7 mm
- + Panel Length: 3000mm
- + Color: Customizable in any RAL color
- + Installation: Clip-in system





AX-Tile 600x600

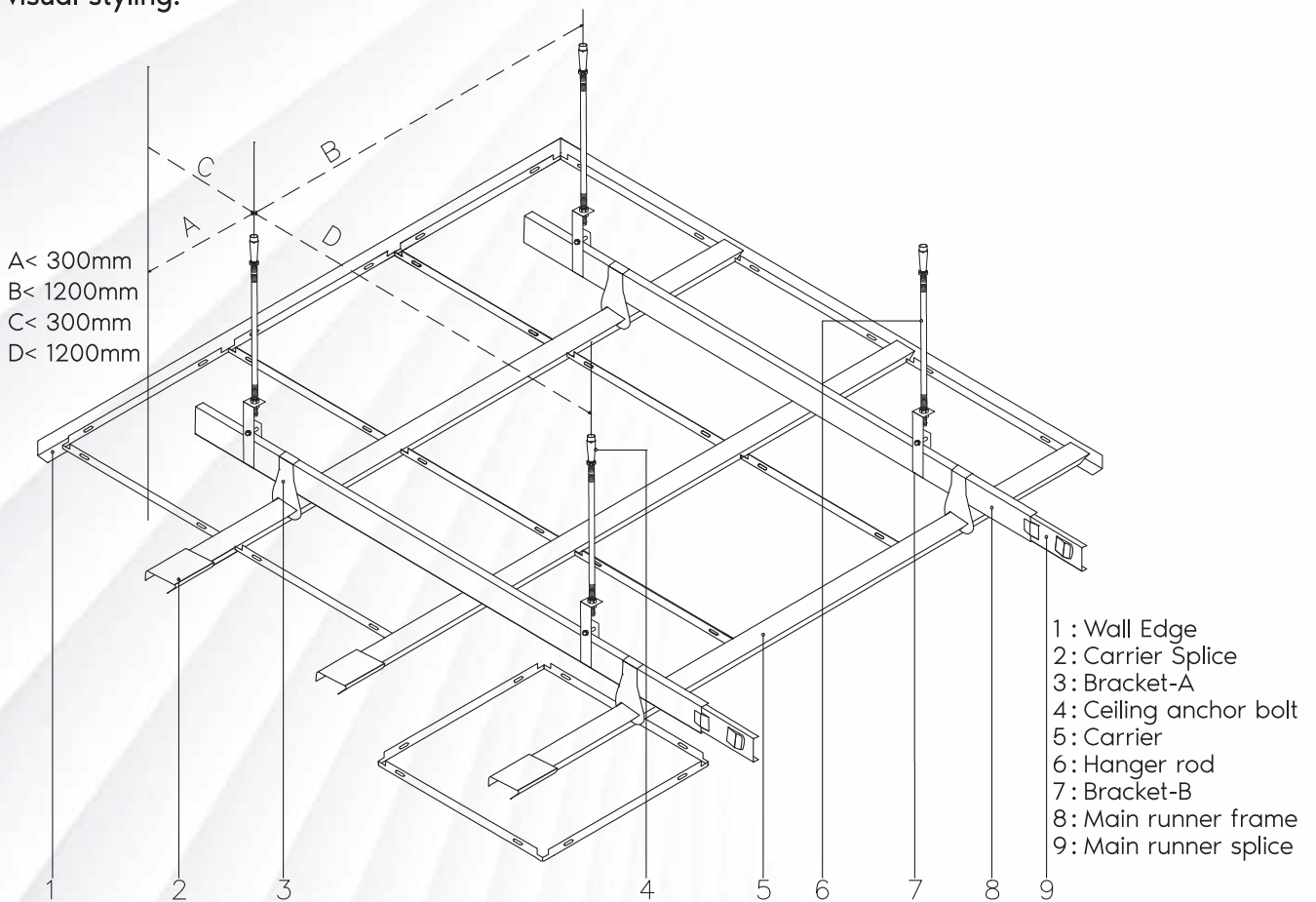


CEILINGS

AX-Tile 600x600

Product Design

Engineered for performance and aesthetics, NP Alunex 600×600mm ceiling tile system is designed to meet the demands of modern architectural and interior environments. Available in both perforated and non-perforated variants, this system offers flexibility in acoustic control and visual styling.

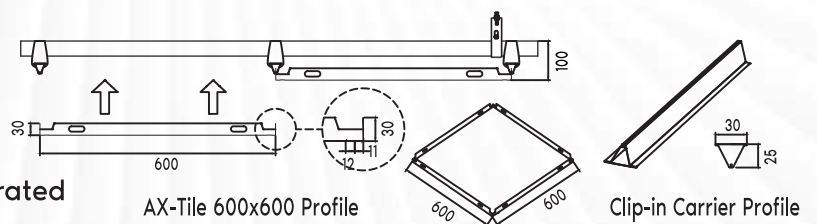


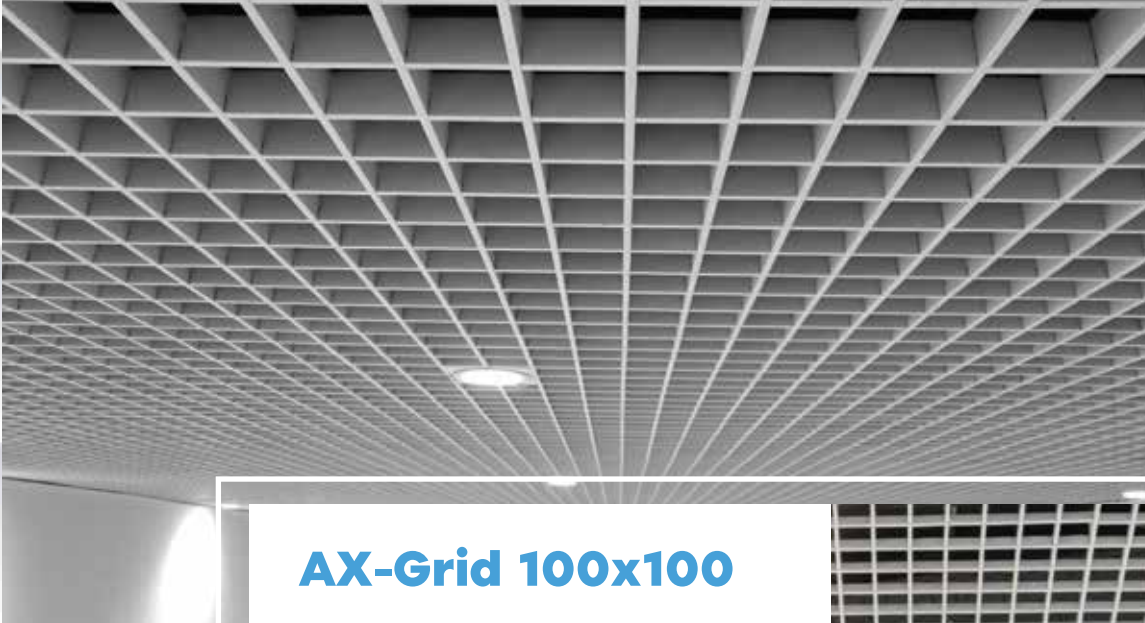
Technical Overview

The system's most popular application is in office settings, where acoustic performance and clean aesthetics are essential.

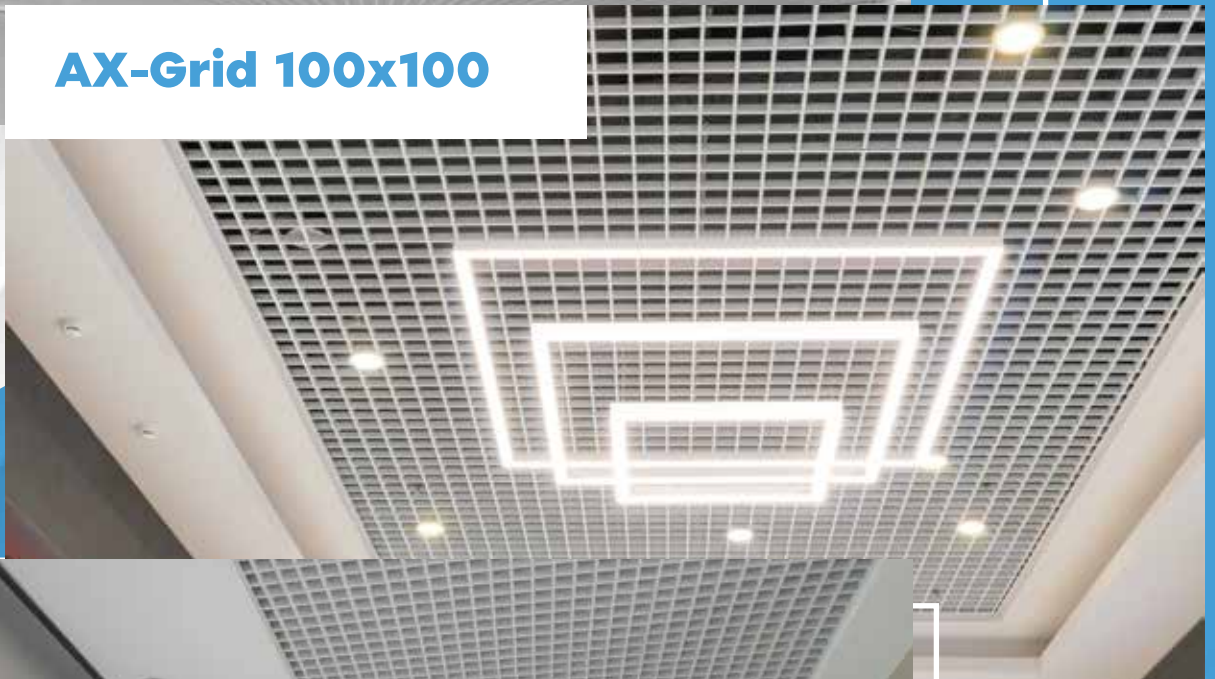
Technical Specifications:

- + Material : Aluminum / Steel
- + Panel Dimension: 600mm x 600mm
- + Panel Thickness: 0.5 mm to 0.7 mm
- + Panel Surface: Perforated & Non-perforated
- + Color: Customizable in any RAL color
- + Installation: Clip-in system





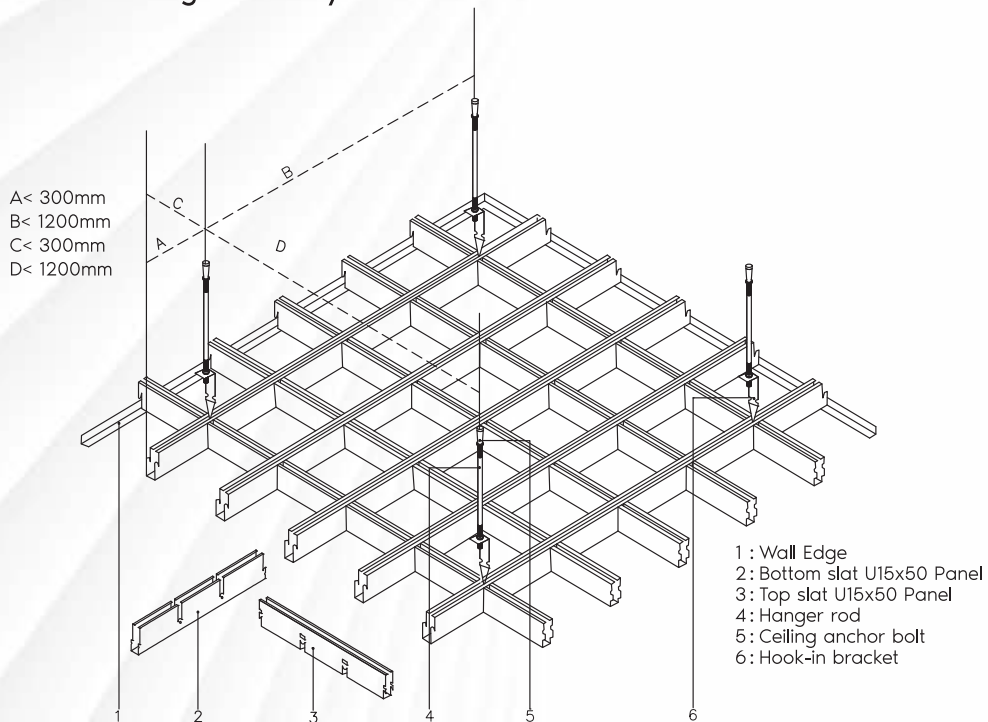
AX-Grid 100x100



AX-Grid 100x100

Product Design

Designed for precision and architectural elegance, our grid ceiling system features a robust U15x50 mm profile arranged in a 100x100 mm center-to-center layout, offering both structural integrity and visual uniformity. This system is ideal for modern interiors requiring a clean, geometric ceiling solution with high performance and design flexibility.

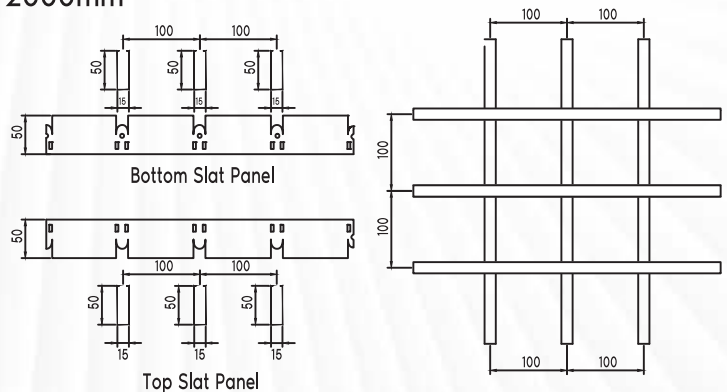


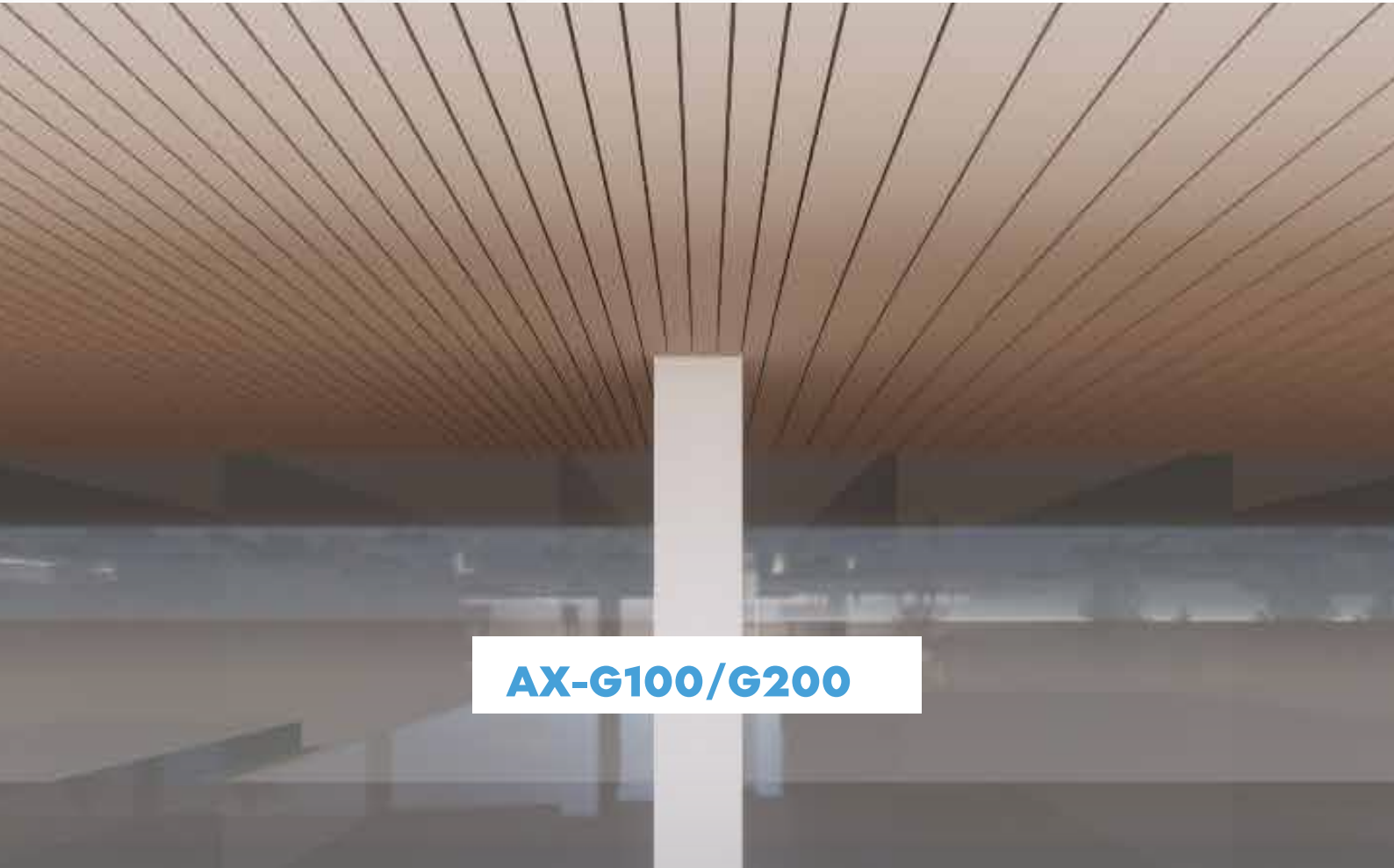
Technical Overview

The grid ceiling system featuring U15x50mm profiles and a 100x100 mm center-to-center layout is engineered for high-performance architectural applications.

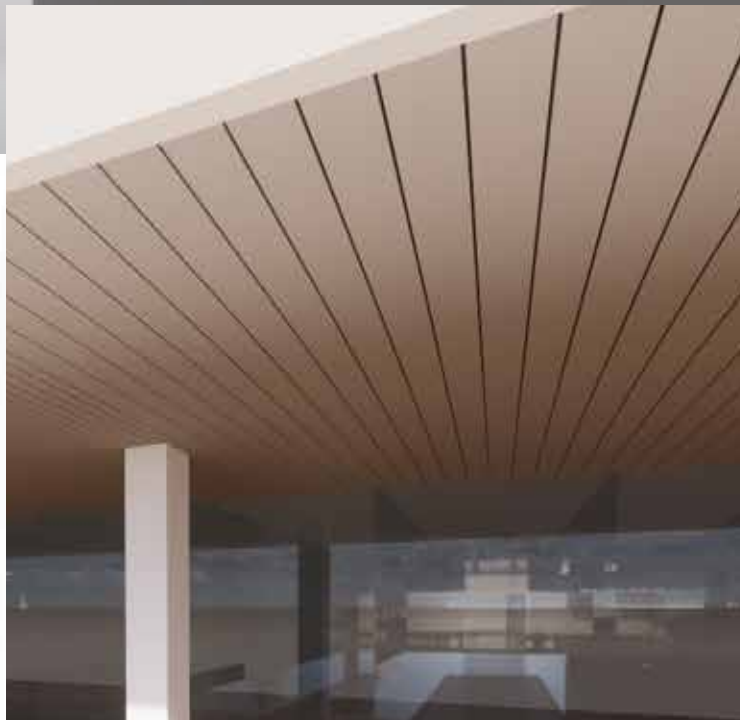
Technical Specifications:

- + Material : Aluminum / Steel
- + Slat Panel U-Profile size: 15mm x 50mm
- + Standard Panel length: 600mm/1200mm/2000mm
- + Panel Thickness: 0.5 mm to 0.7 mm
- + Color: Customizable in any RAL color
- + Installation: Hook-in system





AX-G100/G200

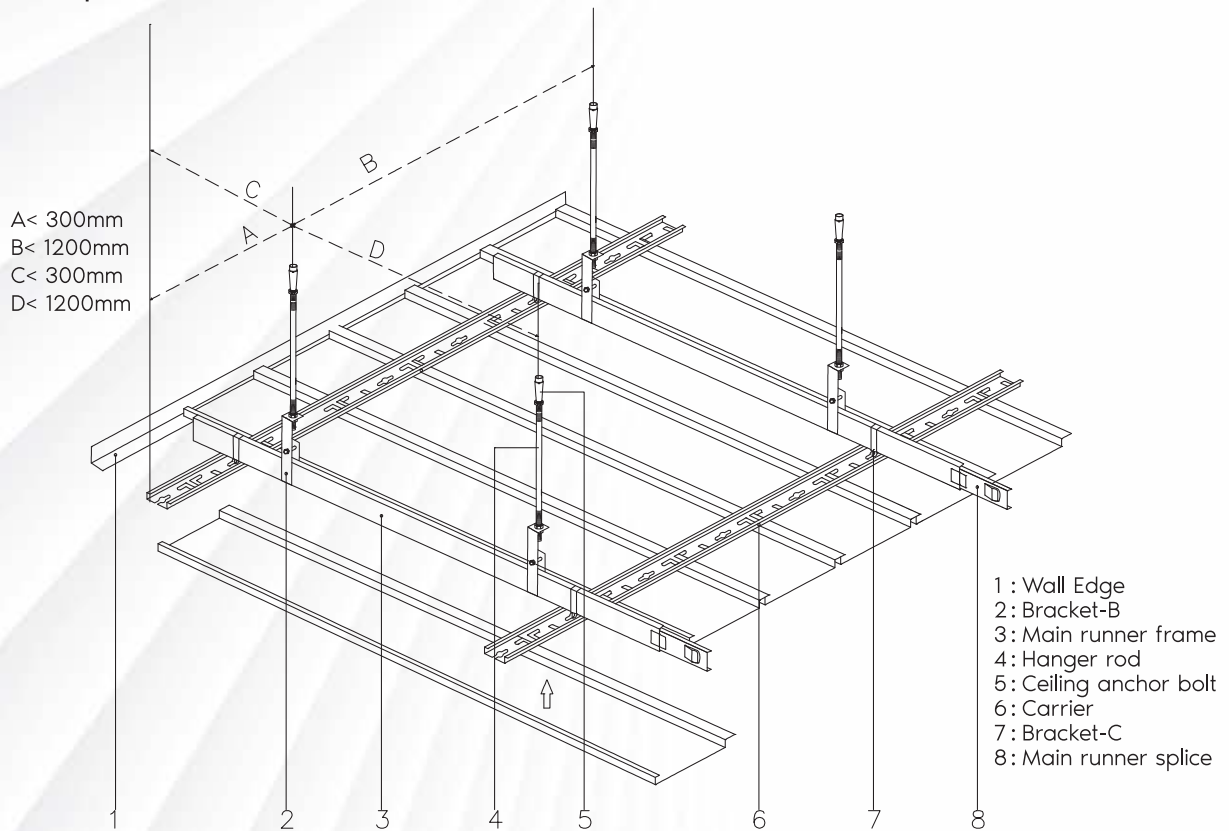


CEILINGINGS

AX-G100/G200

Product Design

The Linear Ceiling G100/G200 System offers a sleek, modular ceiling solution designed for modern interiors. Ideal for office and commercial spaces, this system combines functionality with refined aesthetics, supported by durable suspension components and standardized connectors for long-term performance.

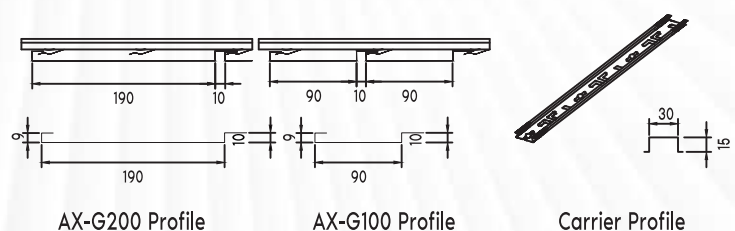


Technical Overview

Its grid-based structure—comprising main runners, carriers, and ceiling panels—ensures easy installation, precise alignment, and a clean architectural finish.

Technical Specifications:

- + Material : Aluminum / Steel
- + Panel Width: 100mm / 200mm
- + Panel length: 3000mm
- + Panel Thickness: 0.5 mm to 0.7 mm
- + Color: Customizable in any RAL color
- + Installation: Clip-in system



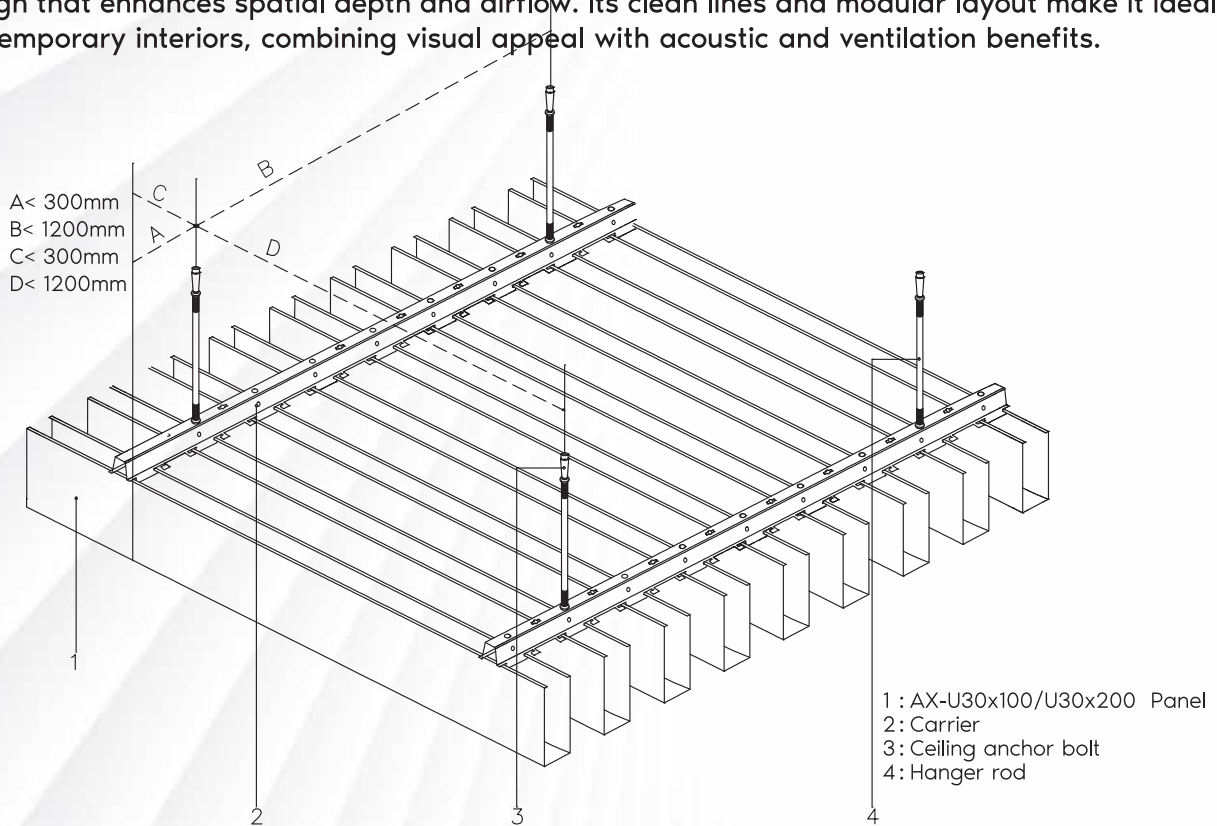


**AX-U30x100/
AX-U30x200**

AX-U30x100/U30x200

Product Design

The U-baffle ceiling system with a 30x100mm/30x200mm profile offers a modern open ceiling design that enhances spatial depth and airflow. Its clean lines and modular layout make it ideal for contemporary interiors, combining visual appeal with acoustic and ventilation benefits.

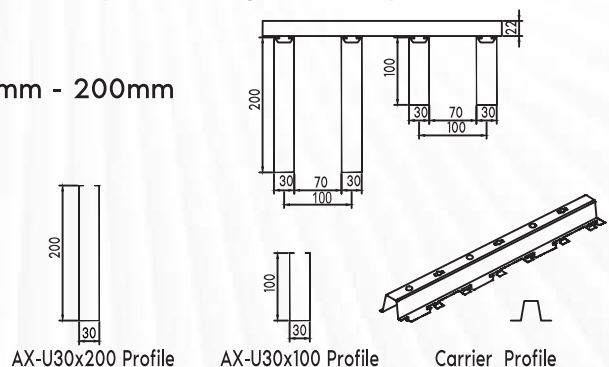


Technical Overview

The U-baffle ceiling system is suspended ceiling which is designed for easy installation with lightweight aluminum/steel construction ensures durability and design flexibility.

Technical Specifications:

- + Material : Aluminum / Steel
- + Panel Dimension: Width = 30mm / Depth = 100mm - 200mm
- + Panel length: 3000mm
- + Panel Thickness: 0.5 mm to 0.7 mm
- + Color: Customizable in any RAL color
- + Installation: Clip-in system





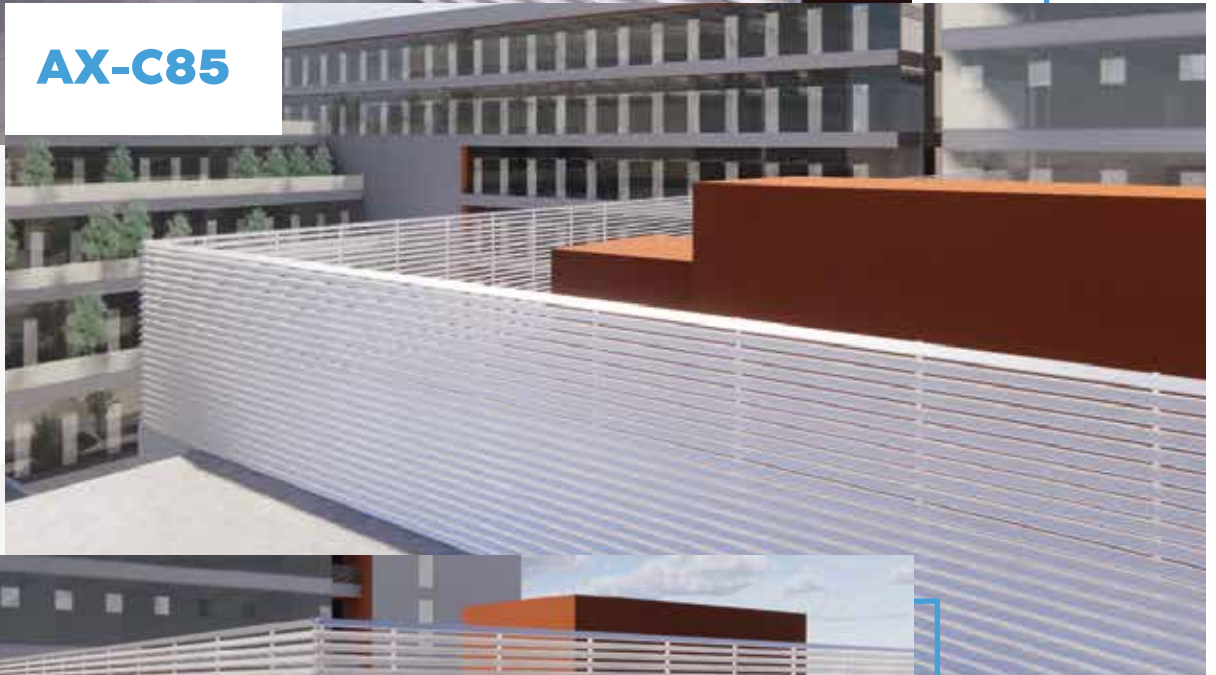
SUN CO



CONTROL



AX-C85

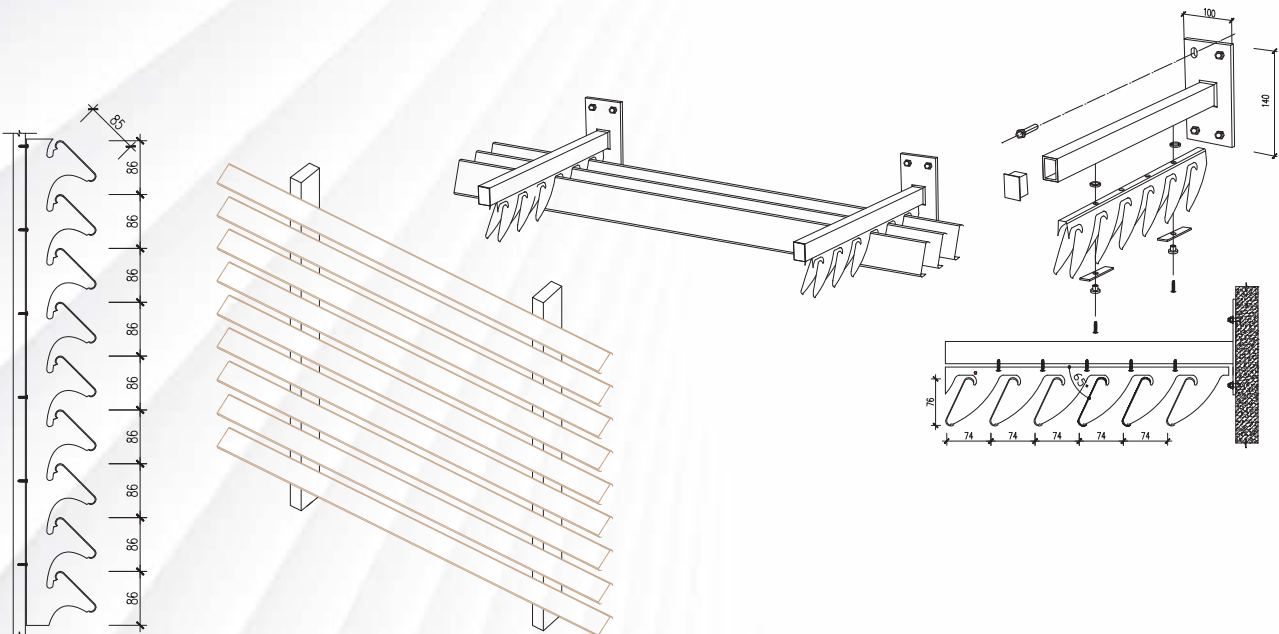


SUN CONTROL

AX-C85

Product Design

Introducing the AX-C85 Sun Control, a cutting-edge architectural solution designed to enhance comfort, energy efficiency, and visual appeal. Featuring sleek 85mm-wide louvers, this system is engineered to optimize natural daylight while significantly reducing heat gain and glare. The angled louver design ensures even light diffusion, maintaining a bright yet cool interior environment. Perfect for both residential and commercial applications, the AX-C85 Sun Control adds a modern touch to any façade while contributing to sustainable building performance. Whether you are designing for aesthetics, functionality, or energy savings, this system delivers the ideal balance of form and function.

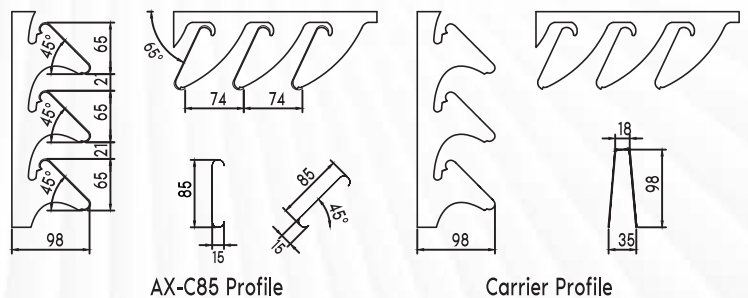


Technical Overview

The AX-C85 system presents a sleek, open-surface ceiling solution that enhances architectural expression through its clean lines and modular flexibility.

Technical Specifications:

- + Material : Aluminum / Steel
- + Panel Width: 85 mm
- + Opened gap: 15mm
- + Panel Thickness: 0.5 mm to 0.7 mm
- + Panel Length: 3000mm
- + Color: Customizable in any RAL color
- + Installation: Clip-in system





AX-Z132

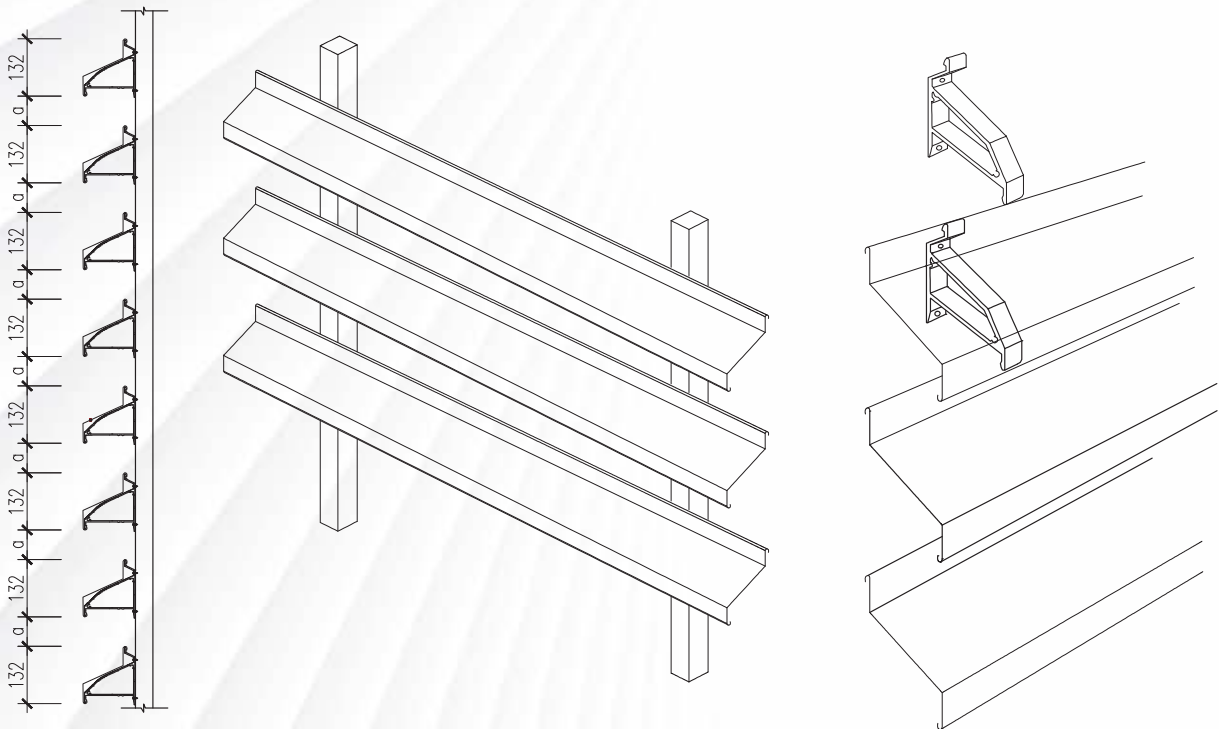


SUN CONTROL

AX-Z132

Product Design

Sun Control Z132 is a sleek, Z-shaped aluminium sunshade designed for modern façades. With a 132 mm profile, it offers effective solar control, ventilation, and visual appeal. Durable and corrosion-resistant, it installs easily in various orientations, making it ideal for façades, canopies, and enclosures.

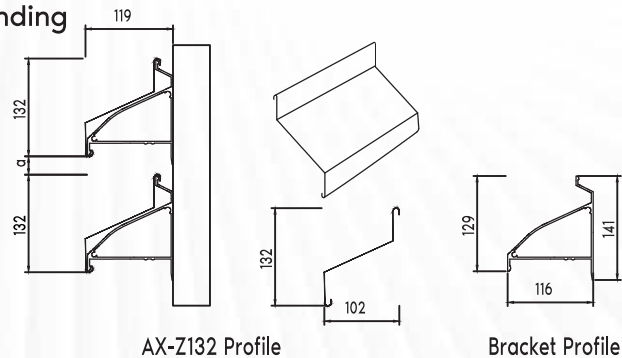


Technical Overview

Engineered for performance and precision, the Z132 system integrates advanced material properties and streamlined installation features to meet demanding architectural standards.

Technical Specifications:

- + Material : Aluminum / Steel
- + Panel Width: 132 mm
- + Opened gap: Customizable
- + Panel Thickness: 0.5 mm to 0.7 mm
- + Panel Length: 3000mm
- + Color: Customizable in any RAL color
- + Installation: Clip-in system





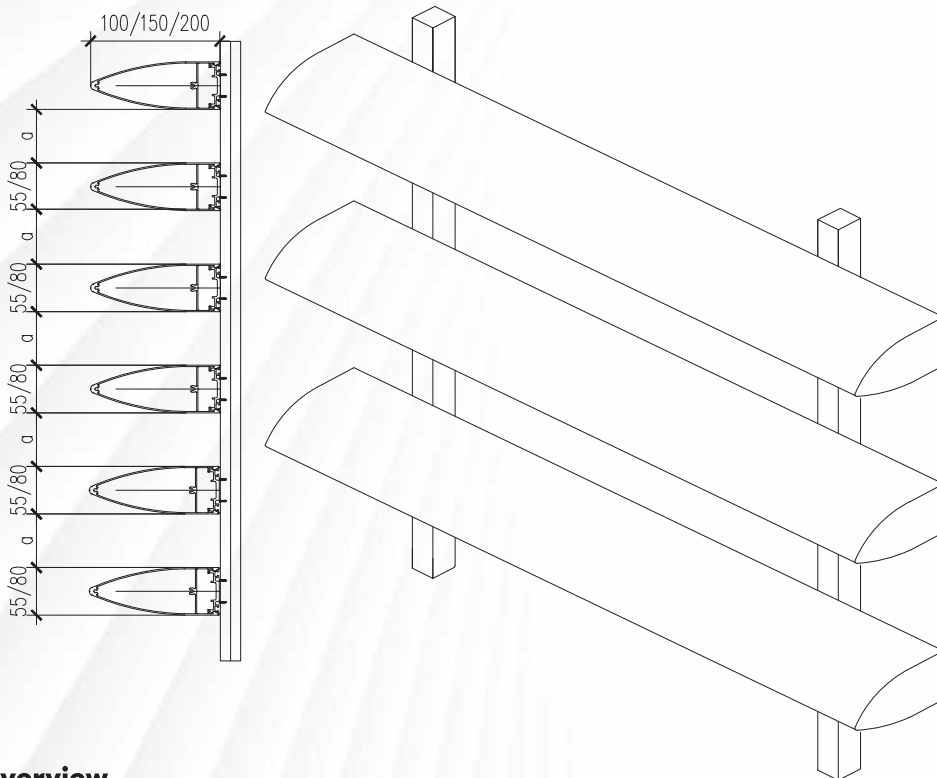
AX-D100/D150/D200



AX-D100/D150/D200

Product Design

The AX-D100/D150/D200 is a versatile architectural louver solution designed for effective sun screening and enhanced façade aesthetics. Featuring adjustable spacing options (55/80 mm) and multiple width configurations (100/150/200 mm), it offers flexibility for various design requirements. Its modular setup allows for clean vertical mounting, making it ideal for façades, shading panels, and enclosure applications.

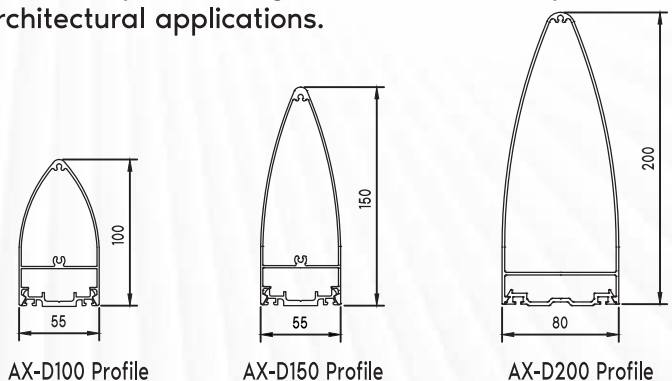


Technical Overview

The AX-D100/D150/D200 system is built for precision and adaptability, featuring aluminium blades with configurable spacing. Its modular design supports vertical mounting on structural frames, ensuring efficient airflow and solar control. The system is engineered for durability, ease of installation, and compatibility with various architectural applications.

Technical Specifications:

- + Material : Aluminum
- + Panel Width: 55mm / 80mm
- + Opened gap: Customizable
- + Panel Thickness: 1 mm
- + Panel Length: 3000mm
- + Color: Customizable in any RAL color
- + Installation: Clip-in system





AX-F150

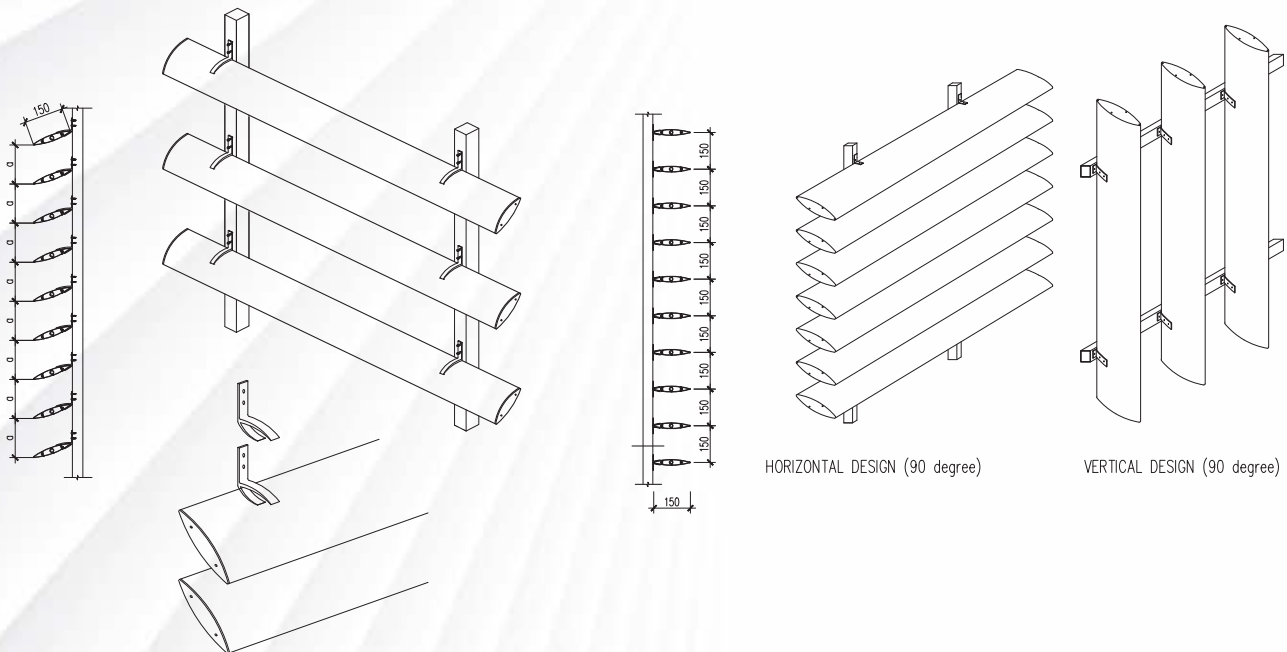


SUN CONTROL

AX-F150

Product Design

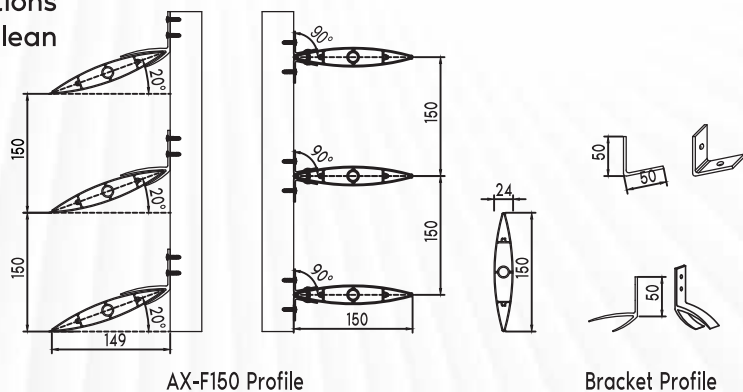
The AX-F150 is a fixed-blade extruded louver system designed for efficient sun control and ventilation. Installed horizontally at 110° and 90°, and vertically at 90°, it delivers consistent airflow and shading performance. Its angled profile enhances privacy while contributing to a clean, modern façade. Engineered for durability and bracket-mounted installation on steel frames, the AX-F150 is ideal for commercial and architectural applications.



Technical Overview

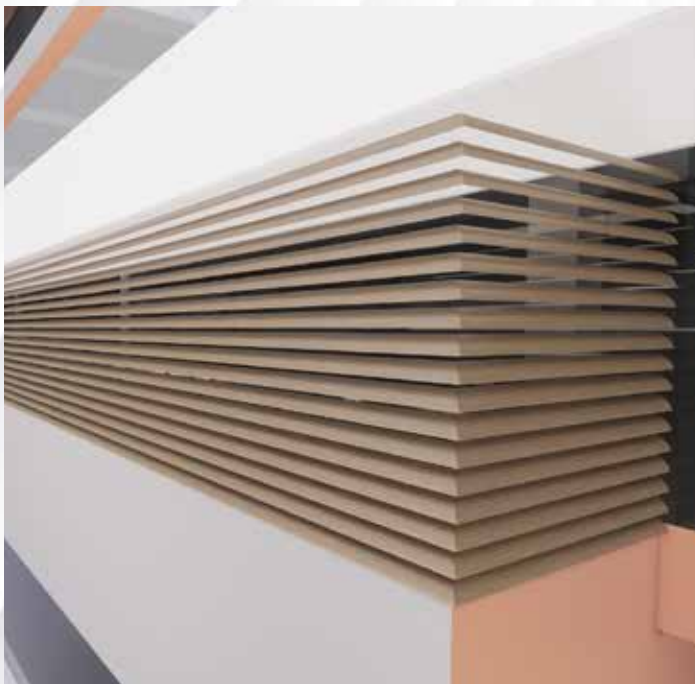
The AX-F150, its precision-mounted blades ensure consistent spacing and performance, making it suitable for façade applications requiring durability, functionality, and clean architectural lines.

- + Material : Aluminum
- + Panel Width: 24mm
- + Opened gap: Customizable
- + Panel Thickness: 1.3 mm
- + Panel Length: 6000mm
- + Color: Customizable in any RAL color
- + Installation: Bracket-mounted system





AX-L150/L170

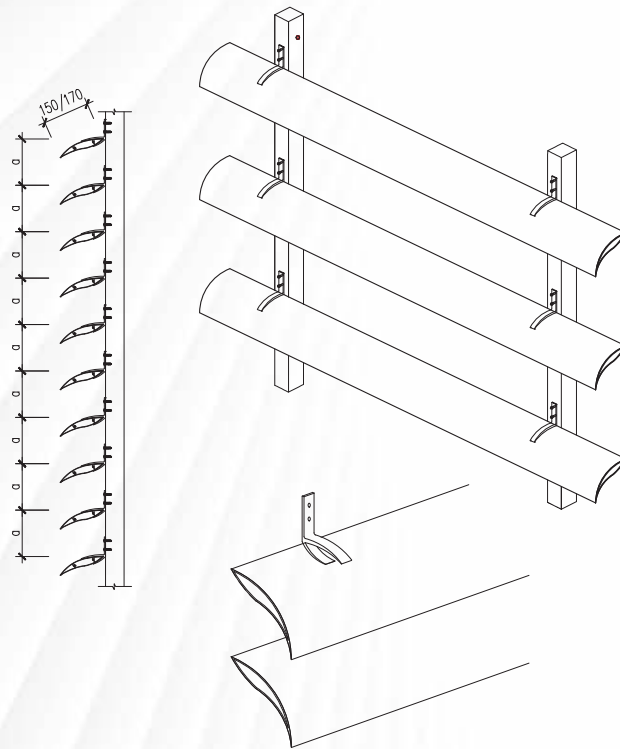


SUN CONTROL

AX-L150/L170

Product Design

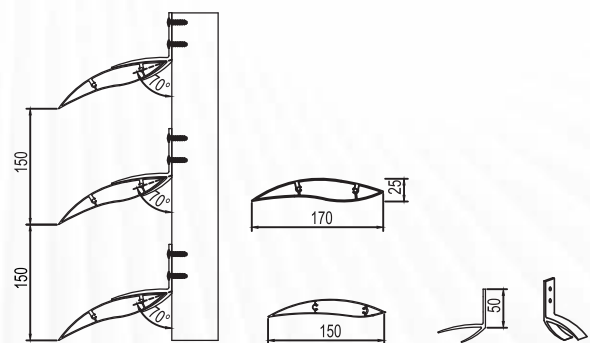
The AX-L150/L170 is a high-performance architectural sun louver system designed to enhance façade aesthetics while improving solar control and energy efficiency. Available in 150mm and 170mm blade profiles, it features adjustable or fixed louvers mounted on durable brackets for precise light and heat management. Ideal for commercial and institutional buildings, the AX-L150/L170 offers a sleek design, robust construction, and easy installation, making it a reliable solution for modern shading applications.



Technical Overview

The AX-L150/L170, bracket-mounted to structural frames, it supports both horizontal and vertical applications with clean integration into building façades.

- + Material : Aluminum
- + Panel Width: 25mm
- + Opened gap: Customizable
- + Panel Thickness: 1.1 mm
- + Panel Length: 6000mm
- + Color: Customizable in any RAL color
- + Installation: Bracket-mounted system



AX-L150 Profile
& AX-L170 Profile

Bracket Profile



FACCA



ADES



Multi Linear Facade

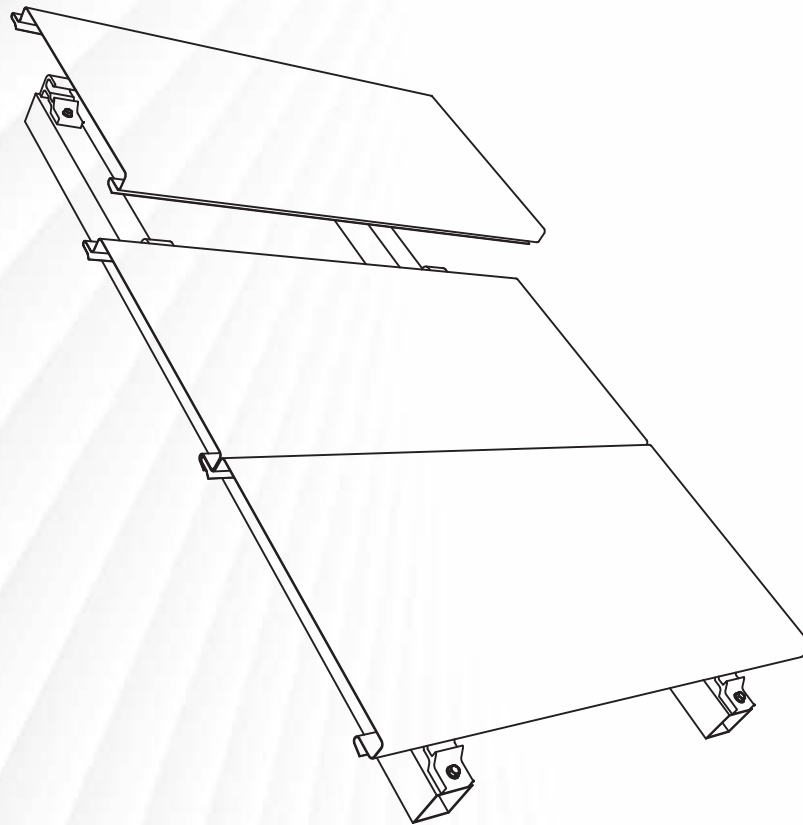


FACADES

Multi Linear Facade

Product Design

This linear façade system features a clean, modular profile with a standard width of 300mm and lengths up to 6000mm. Designed for contemporary architectural applications, the panels offer a streamlined appearance and are mounted on structural supports using concealed brackets or clips. The system ensures efficient installation, low maintenance, and a refined finish suitable for modern building envelopes.



Technical Overview

Panels are installed in a continuous layout using concealed fixings on a steel substructure, ensuring precise alignment and modular consistency for architectural cladding.

Technical Specifications:

- + Material : Aluminum Single Skin
- + Panel Width : 300mm
- + Panel Length : 6000mm
- + Panel Thickness : 1mm
- + Color: Customizable in any RAL color
- + Installation: Bracket-Mounted system



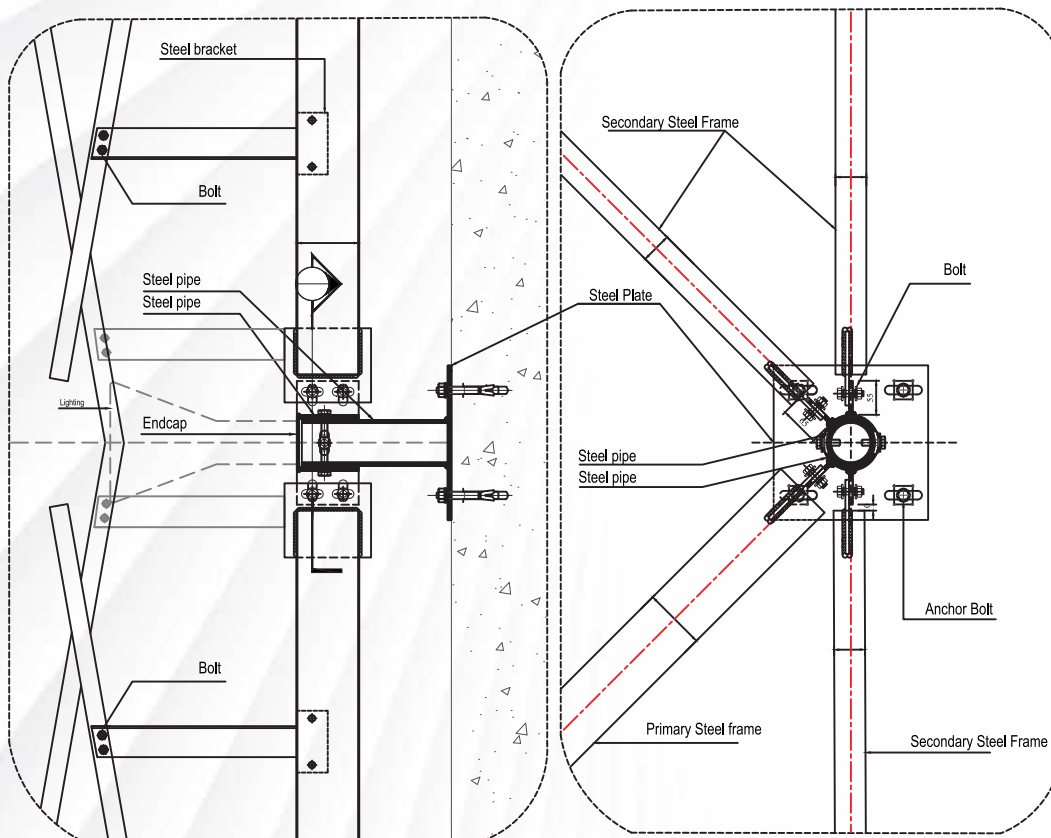
Aluminum Single Skin - Facade



Aluminum Single Skin - Facade

Product Design

Our façade solution features precision-engineered aluminum panels available in 2.0 mm, 2.5 mm, and 3.0 mm thickness options. Panels can be custom-formed in non-perforated or perforated configurations to achieve exact architectural design intent. Designed to accommodate complex geometries and refined finishes, this façade system delivers exceptional visual impact while meeting stringent architectural specifications and compliance standards.

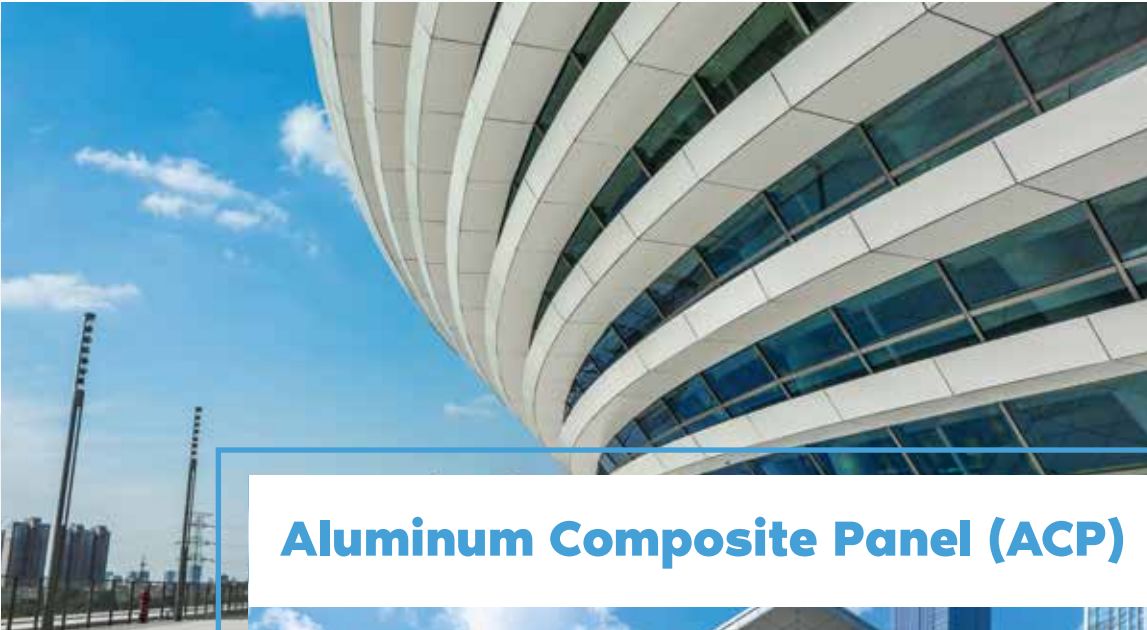


Technical Overview

The Panel installation supported by primary and secondary steel framing, panels are bracket mounted for precise alignment and structural stability. It enables high design fidelity with efficient installation.

Technical Specifications:

- + Material : Aluminum Single Skin
- + Panel Width : Up to 1414mm
- + Panel Length : Up to 3000mm
- + Panel Thickness : 2mm / 2.5mm / 3mm
- + Color: Customizable in any RAL color
- + Installation: Bracket-Mounted system



Aluminum Composite Panel (ACP)



Aluminum Composite Panel (ACP)

Product Design

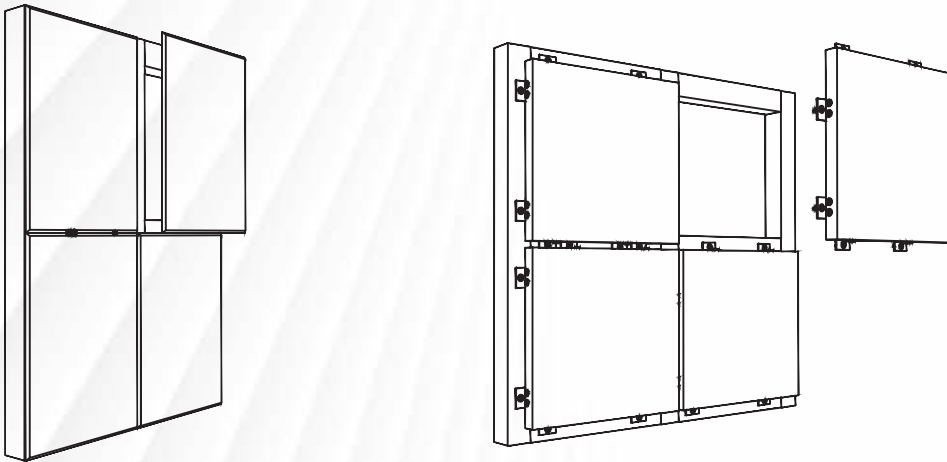
The ACP façade system is a high-performance cladding solution designed for modern architectural applications. It features aluminum composite panels with aluminum skins bonded to a non-metal core, delivering a lightweight yet durable finish.

Two installation options are available:

- Fixed System: Panels are securely mounted on a steel frame using screws and construction adhesive for enhanced bonding strength. This configuration provides a permanent solution for long-term performance.

- Bracket-Mounted System: Panels are installed on adjustable brackets, allowing easy removal for maintenance without damaging the panels. This option offers flexibility and accessibility for service requirements.

Joint treatments can be sealed with silicone for a clean, weather-resistant finish or left open according to design specifications. Combining sleek architectural lines, efficient installation, and superior durability, the ACP façade system is an ideal choice for high-quality building envelopes and contemporary cladding projects.



Technical Overview

Aluminum Composite Panel (ACP) is composed of a polyethylene plastic core sandwiched between two sheets of Aluminum, and the panel surface is covered with an adhesive protective film. Outdoor Aluminum composite panel is coated with 70% Fluorocarbon resin (PVDF), while indoor Aluminum Composite Panel is coated with Polyester resin (PE).

Technical Specifications:

- + Material : Aluminum Composite Panel
- + Panel Width : 1220mm / 1250mm / 1500mm / 1550mm
- + Panel Length : 2440mm / 3000mm
- + Panel Thickness : 3mm / 4mm / 5mm / 6mm
- + Aluminum Skin Thickness : 0.12 mm / 0.15mm / 0.21mm / 0.3mm / 0.4mm / 0.45mm / 0.5mm
- + Color: Customizable in any RAL color
- + Installation: Mounted system



NP ALUNEX

(CAMBODIA) CO., LTD

Build **N**ow
For **N**ext



#1360, St. Lum, Phum 1, Sangkat Svay Rolum, Takmao City, Kandal Province, Phnom Penh.
(+855) 77 40 40 84 / 70 960 760 | inquiries@npalunex.com | NP Alunex Cambodia Co., Ltd