



BD-200A-S

Clamp-on Pneumatic Dual Monitor Arm

Available in Silver

List Price \$350

SPECIFICATIONS

- Material: Aluminum, Steel, Plastic (Powder Coated Finish)
- Articulation: +45° to -45° tilt, 180° swivel, and 360° rotation
- Height Adjustment: 6.5" to 17.7" (center of screen)
- Arm Span: 33.5" (from bracket to bracket)
- Maximum Extension: 20"
- Base Dimensions: 3.7" x 3.9"
- Mounting Options: Sturdy C-clamp and Grommet Mount
- Screen Placement: Portrait or Landscape Orientation

COMPATIBILITY

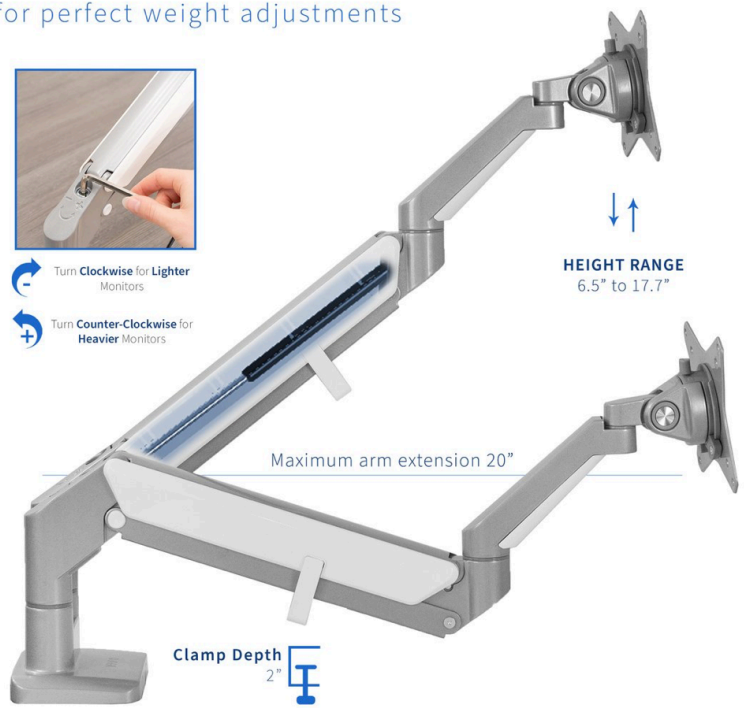
- Monitor Screen Size: Fits Most 17" to 32" Screens
- Screen Types: Curved and Flat
- VESA Standard: 75x75mm and 100x100mm
- Weight Capacity (per screen): 2.2 lbs (minimum) to 19.8 lbs (maximum)
- Desktop Thickness for Clamp: 0.4" (minimum) to 3.3" (maximum)
- Desktop Thickness for Grommet: 0.4" (minimum) to 3.2" (maximum)

BUILT-IN SPRING TENSION GAUGE

for perfect weight adjustments



- Turn Clockwise for Lighter Monitors
- Turn Counter-Clockwise for Heavier Monitors



HEAVY DUTY CAPACITY

fits curved and flat screens up to 32"



sales@blackdogoffice.com

602-478-4933

www.blackdogoffice.com