

NOTES: THIS DRAWING AND THE INFORMATION DISCLOSED ON IT ARE CONFIDENTIAL AND PROPRIETARY TO CAD TECHNOLOGIES, INC. AND MAY NOT BE REPRODUCED, COPIED, REPRODUCED, USED OR DISCLOSED BY OR TO ANY PERSON OR PARTY OUTSIDE OF THE COMPANY IN ANY MANNER WITHOUT THE WRITTEN PERMISSION OF A DULY AUTHORIZED EMPLOYEE OF THE COMPANY. Copyright © 2024

ECON# 12646

REVISION HISTORY						
ZONE	REV	DESCRIPTION	ECH#	REV'D	CHK'D	DATE
	1	UPDATED APPROX. SYSTEM WEIGHT	13139	DCS		1/21/10

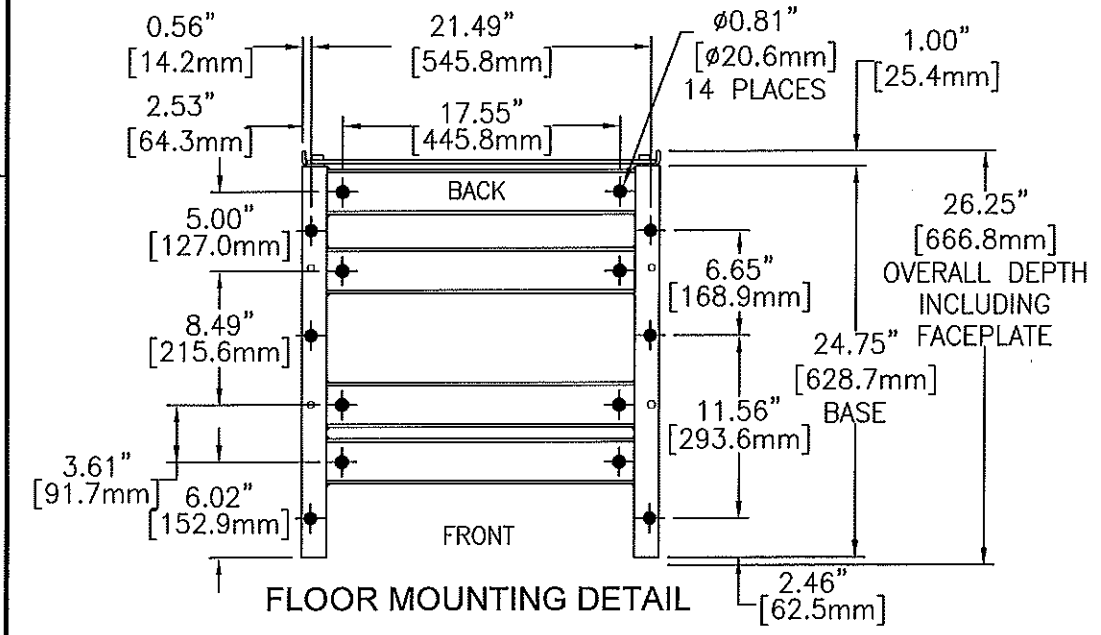
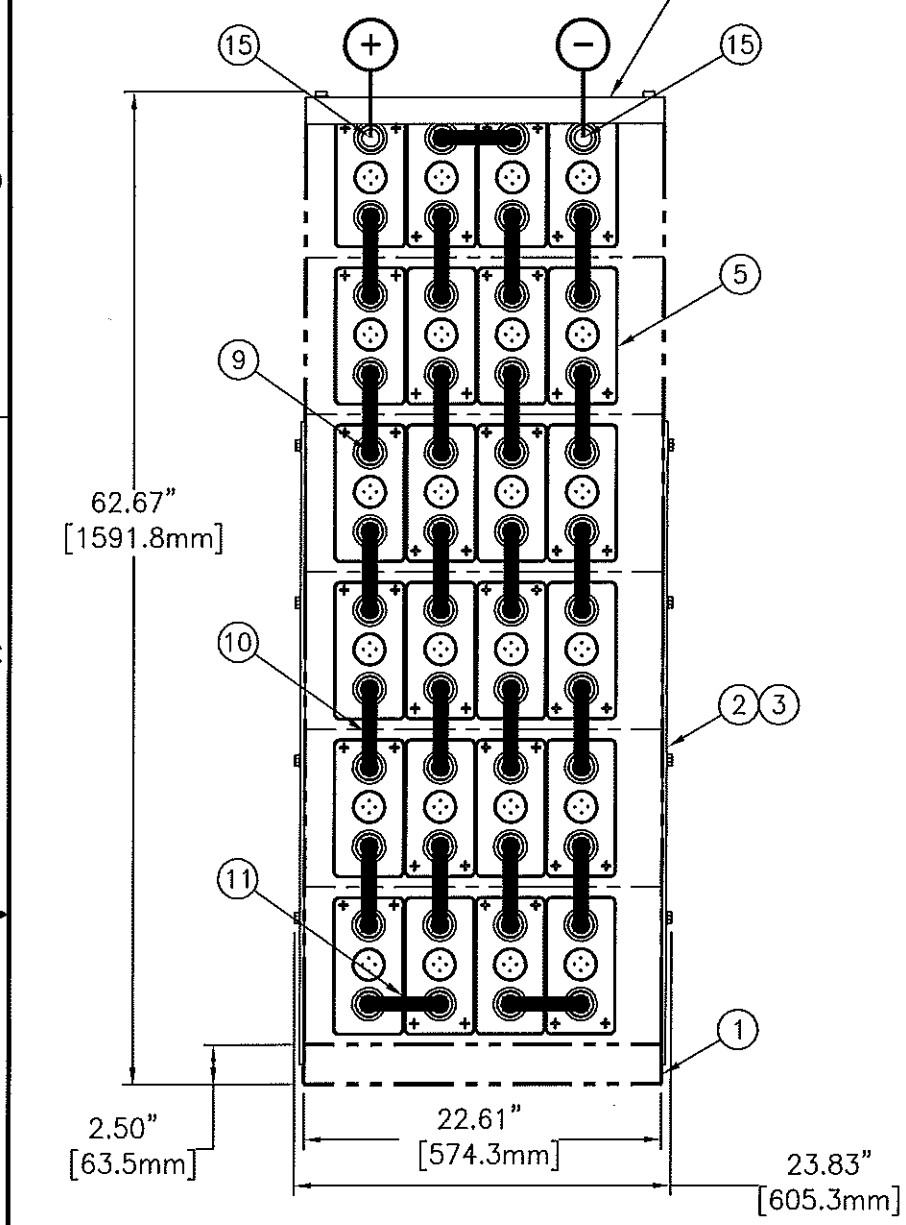
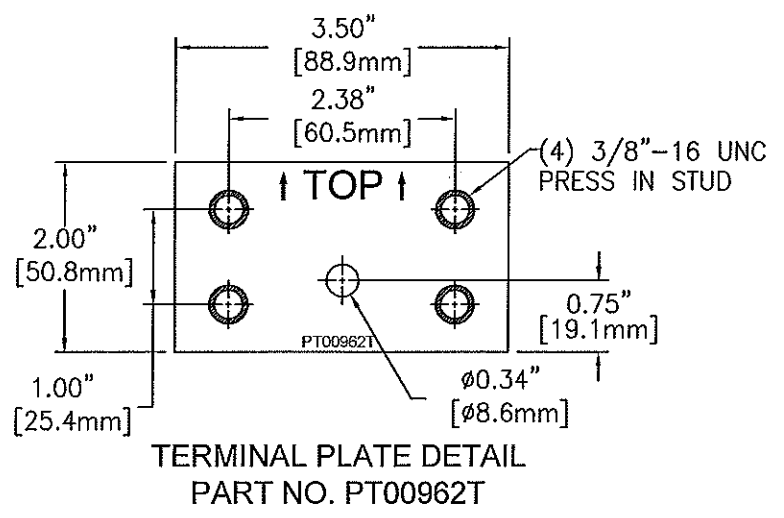
48 VOLT SYSTEM (24) AT-13P CELLS

APPROX. SYSTEM WEIGHT: 2,890 LBS [1,310.9 kg]
FLOOR CONTACT AREA: 195.5 SQ. IN. [126,128 mm²]



SYSTEM NO. E1346024CN02

20	1	RE04454	ACCESSORY KIT (J29536)
19			
18			
17			
16			
15	2	PT00962T	TERMINAL PLATE (M15923)
14			
13			
12			
11	3	PK04260T	CONNECTOR 1.00 x 5.57 x 0.12
10	20	PK04225T	CONNECTOR 1.00 x 5.94 x 0.12
9	2	HDWR-R11	HARDWARE KIT, CONNECTOR
9.1	48	PB00327	BOLT, HEX 5/16-18 x 1.25 S.S.
9.2	48	PH01700	WASHER, FLAT S.S.
8	6	PH04006-22	FACEPLATE (K11056)
7	7	HDWR-R13	HARDWARE KIT, FACEPLATE (J29535)
5	24	CW18195	CELL (N03375)
3	6	RD04496-22C	MODULE ASSEMBLY KIT (M14111)
2	1	RE04487-22	NEBS 4 KIT (M14050)
1	1	RD04429-22A	BASE ASSEMBLY KIT (M14047)
ITEM	QTY	PART NO.	DESCRIPTION



- NOTES:
1. LOCATE POLARITY OF BATTERIES FOR PROPER ORIENTATION DURING INSTALLATION.
 2. FLOOR MOUNTING (ANCHOR) BOLTS ARE NOT FURNISHED. ALL (14) ANCHORS MUST BE USED TO ACHIEVE NEBS 4 RATING.
 3. INSTALLATION ANCHOR BOLT SIZE & TYPE ARE TO BE DETERMINED BY USER IN ACCORDANCE WITH BUILDING CODES APPLICABLE TO THE ARRANGEMENT DESCRIBED ON THIS DRAWING.
 4. REFERENCE INSTALLATION MANUAL RS02044 FOR: CONNECTOR TORQUE VALUES, MODULE TO MODULE CONNECTIONS & FACEPLATE MOUNTING DETAILS.
 5. CONNECTORS ARE SIZED TO LESS THAN 30mV DROP AT 228.2 AMPS (2 HOUR RATE TO 1.75 VPC).

<small>PLEASE PRINT OR TYPE</small> DRAWN BY: R. DAVEY CHECKED BY: Y. HODGES APPROVED BY: P. RALSTON DATE: 1/20/10 DATE: 1/21/10 DATE: 1/21/10	<small>ALL SHEETS ARE THE SAME REVISION STATUS</small> CAD TECHNOLOGIES, INC. 1400 UNION MEETING, BLUE BELL, PA 19422-0588 www.cadtech.com TITLE: CONNECTION DIAGRAM 48V 4X6 AT-13P NEBS 4 SIZE: D CASE CODE: E1346024CN02 SCALE: NTS SHEET 1 OF 1
--	--