

PN16 valves for terminal units and zone control

CODE	DESCRIPTION
VSX..(P)	Two-way valve DN 1/2" - 1"; Kvs 0,25 - 6 m ³ /h
VMX..(P)	Three-way valve DN 1/2" - 1"; Kvs 0,25 - 6 m ³ /h (4 angle way)
VTX..(P)	Three-way valve with built in by-pass DN 1/2" - 3/4"; Kvs 0,25 - 6 m ³ /h (4 angle way)

N.B.: suffix P means flat tight.



APPLICATION AND USE

Micra® valves are employed for the control of chilled and heated water in heating and air-conditioning plants; they are motorized by MVX and MCA electro-thermal actuators (MCA230L, MCA24L, MVX22R, MVX42R, MVX52).

Micra® valves extremely reduced dimensions enable an easy mounting on terminal unit coils.

Special applications

Thermal insulation for cool water applications is available on request.

Moreover, it is possible to order a kit for fan coil installation, which can be customized according to the various vendors' requirements. For further information, please contact our Technical Support.

MANUFACTURING CHARACTERISTICS

CHARACTERISTIC	DESCRIPTION
Valve body	Brass
Seat	Reinforced technopolymer
Plug	Fortron plug with EPDM double OR
Stem	Stainless steel
Stem packing	EPDM double OR

All models are normally closed, i.e. the action of the valve spring makes the plug move to the upper seat, even with disassembled actuator.

TECHNICAL CHARACTERISTICS

CHARACTERISTIC	DESCRIPTION
Operating pressure	1600 kPa
Control stroke	2,5 mm
Allowed fluids	Water, water+glycol 30% max
Temperature	5°C to 95°C
Leakage	0 (tight close-off on direct and angle way)

The performances stated in this sheet can be modified without any prior notice.

OPERATION

Micra® are valves with tight close-off on both direct and angle way. A soft tight between seat and plug ensures high performances; the action of the spring located on the valve, ensures tight close-off in compliance with the values above, even with disassembled actuator.

The plug operation is carried out by the electrothermic actuator which applies a 140N thrust.

Micra® valves can be motorized through MVX and MCA® actuators (on/off or proportional 0-10 V, 24 V or 230 V depending on the models; MCA® can also be equipped with an auxiliary microswitch); the valve/actuator assembly is in any case very easy. For further information about actuators please refer to the following data sheets: MVX_DBL418en and MCA_DBL400en.

INSTALLATION AND MOUNTING

Before mounting, make sure pipes are clean, free from weld slag, perfectly aligned with the valve body and not subjected to vibrations.

Valves should preferably be installed with the stem facing upwards to maintain the IP degree of protection of the actuator.

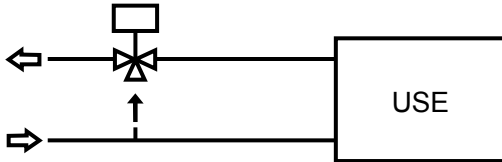
Three-way valves should be preferably used as mixing valves. In case they are mounted as diverting (i.e. an inlet and two outlets) the max differential pressure for normal operation must be reduced to one third of the specified value.

While mounting, respect the fluid directions indicated by the arrows on the valve body.

N.B.: Micra® if coupled with unpowered MVX actuator are normally closed; if coupled with unpowered MCA actuator are normally open.

APPLICATION DIAGRAMS

for valves mounted as mixing



ACCESSORIES

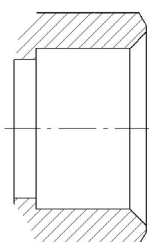
VXC Manual Override



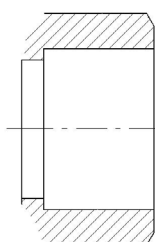
FITTINGS					Quantity	
CODE	DN	a	b			
89811-02	15 (1/2")	G 1/2" F	G 3/8" M	2		
89811-03	20 (3/4")	G 3/4" F	G 1/2" M			
89811-01	25 (1")	G 1" F	G 3/4" M			

Model		Kvs [m ³ /h]		Close-off [bar]	Connections (*)
		direct way	angle way		
2-way valves	VSX09P	0,25	-	4	G 1/2" M
	VSX10P	0,4			
	VSX11P	0,6			
	VSX12P	1	-	3,5	G 3/4" M
	VSX13 VSX13P	1,6			
	VSX21 VSX21P	2,5			
	VSX24P	4	-	1,5	G 1" M
	VSX26P	6			
	VSX28P	6			
3-way valves	VMX09P	0,25	0,25	4	G 1/2" M
	VMX10P	0,4	0,4		
	VMX11P	0,6	0,6		
	VMX12P	1	0,6	3,5	G 3/4" M
	VMX13 VMX13P	1,6	1		
	VMX21 VMX21P	2,5	1,6		
	VMX24P	4	2,5	1 (0,4 angle way)	G 1" M
	VMX26P	6	4		
	VMX28P	6	4		
3-way valves with built-in by-pass (4 ports)	VTX09P	0,25	0,25	4	G 1/2" M
	VTX10P	0,4	0,4		
	VTX11P	0,6	0,6		
	VTX12P	1	0,6	3,5	G 3/4" M
	VTX13 VTX13P	1,6	1		
	VTX09P4	0,25	0,25		
	VTX10P4	0,4	0,4	4	G 1" M
	VTX11P4	0,6	0,6		
	VTX12P4	1	0,6		
	VTX13P4	1,6	1	3,5	G 3/4" M
	VTX21 VTX21P VTX21P4	2,5	1,6		
	VTX24P	4	2,5		
	VTX26P	6	4	1 (0,4 angle way)	

(*) The connections of models having "P" ending are suitable for flat gasket tight; the others for conic tight.



Conic tight



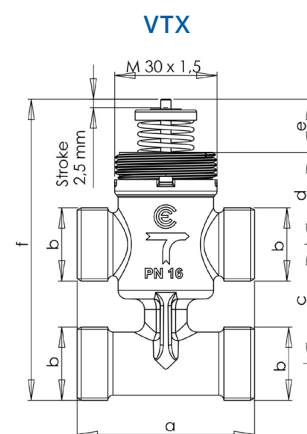
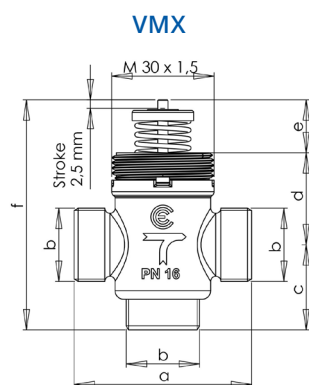
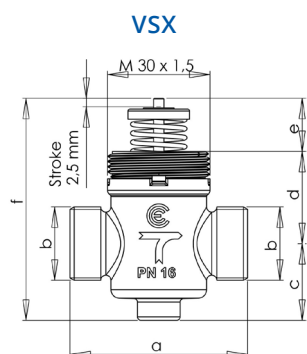
Flat tight

DIMENSIONS [mm]

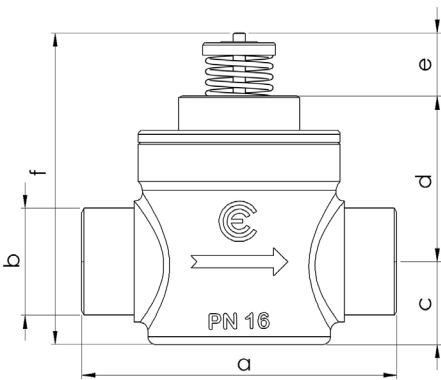
Model	a	b	c	d	e	f
VSX09P VSX10P VSX11P VSX12P VSX13 VSX13P	52	G1/2"A	22,5	27	15,6	65
VSX21 VSX21P	56	G3/4"A	23,6	25,8	15,6	
VSX24P VSX26P	78	G3/4"A	20,5	41	15,6	77,1
VSX28P		G1"A				

Model	a	b	c	d	e	f
VMX09P VMX10P VMX11P VMX12P VMX13 VMX13P	52	G1/2"A	25	27	15,6	65
VMX21 VMX21P	56	G3/4"A	34	25,8	15,6	75,4
VMX24P VMX26P	78	G3/4"A	35,5	41	15,6	92,1
VMX28P		G1"A				

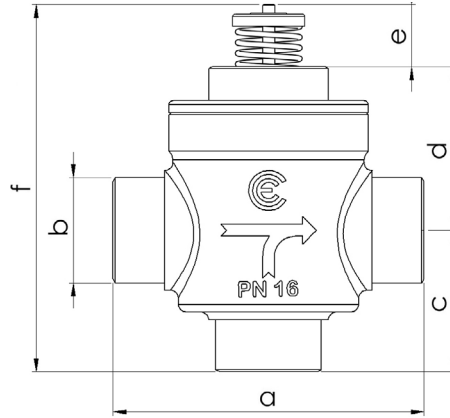
Model	a	b	c	d	e	f
VTX09P VTX10P VTX11P VTX12P VTX13 VTX13P	52	G1/2"A	35	27	15,6	88,4
VTX09 VTX10P4 VTX11P4 VTX12P4 VTX13P4 VTX13P4	56	G1/2"A	40	27	15,6	93,4
VTX21 VTX21P	56	G3/4"A	50	25,8	15,6	98,4
VTX21P4			40			88,4
VTX24P VTX26P	78	G3/4"A	44	41	15,6	113,8



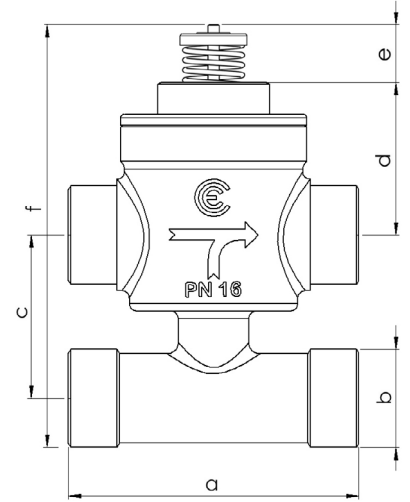
VSX24P, VSX26P, VSX28P



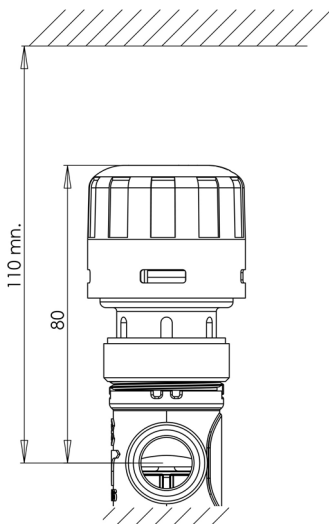
VMX24P, VMX26P, VMX28P



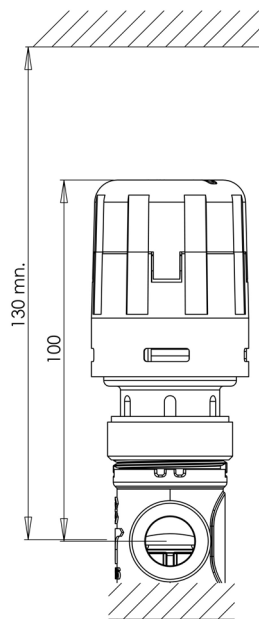
VTX24P, VTX26P



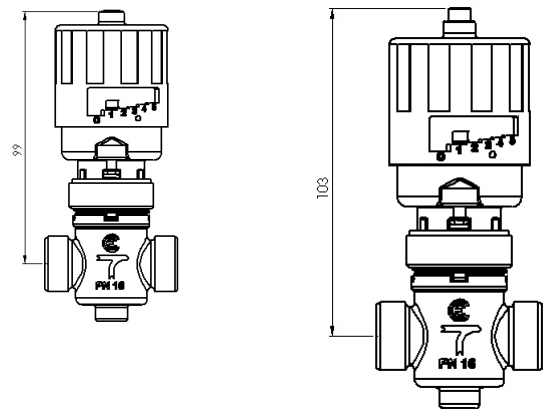
V.X+MVX22-42R (140N)



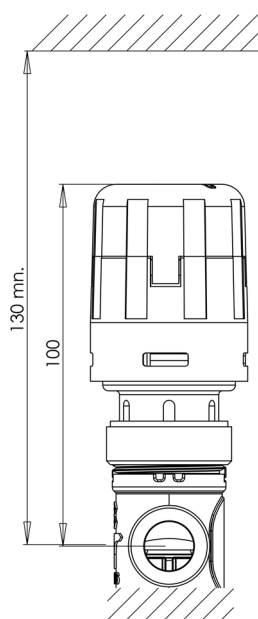
V.X+MVX52 (140N)



V.X+MCA.L (140N)



V.X..P+MVX52



V.X..P+MCA

