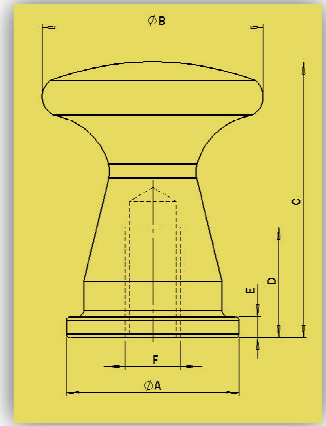
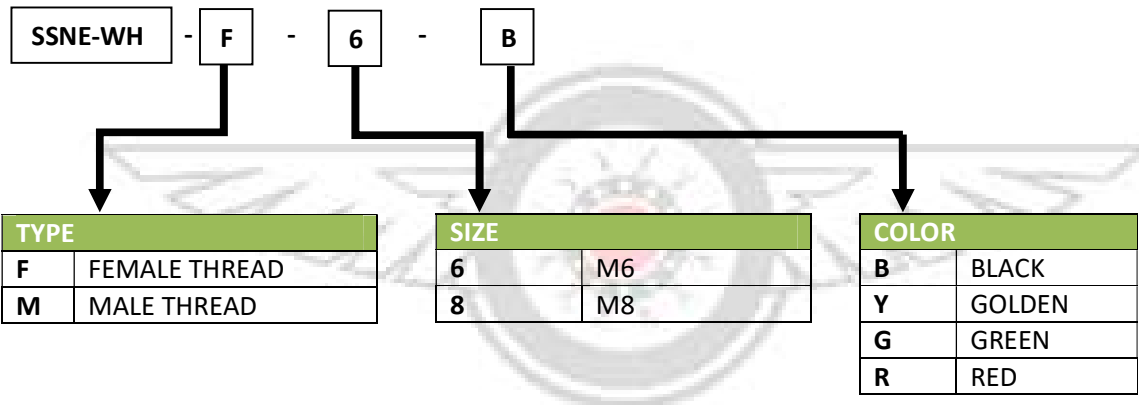


**KNOBS [SSNE-WH]**



**HOW TO ORDER:-**



CODE	ØA	ØB	C	D	E	F
SSNE-WH-F-6-*	20	25	32	12	3	M6
SSNE-WH-F-8-*	25	32	40	16	3	M8
SSNE-WH-M-6-*	20	25	32	12	3	M6
SSNE-WH-M-8*	25	32	40	16	3	M8

MATERIAL : ALUMINIUM  
 SURFACE TREATMENT : ANODIZED