



TECHNICAL SHEET

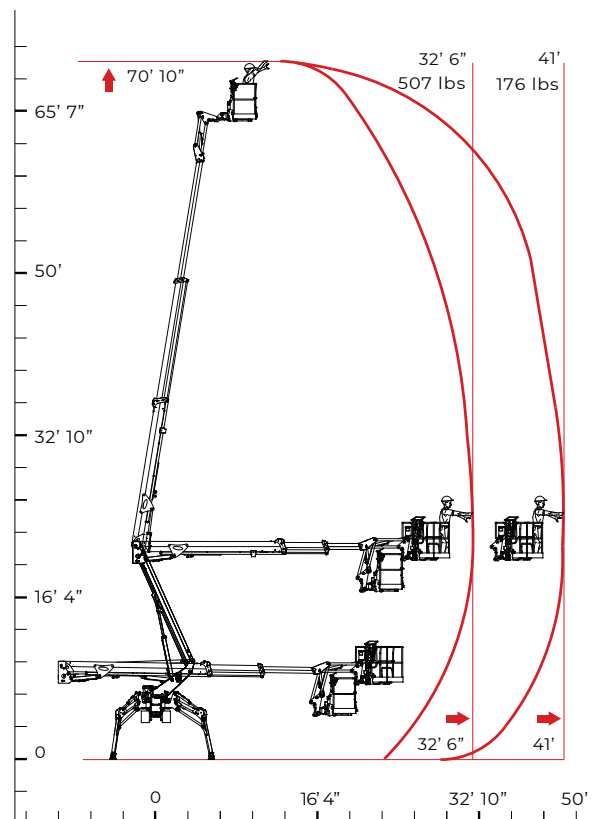
PERFORMANCE AND DIMENSIONS

Main features

An articulated platform with a pantograph and a two-stage telescopic boom plus jib.

This combination, together with its outriggers of high-levelling capacity, three working areas and long horizontal reach, makes it ideal for all outdoor work, even in extreme conditions.

Max. working height	70' 10"
Max. reach with 176 lbs	41'
Platform height	64' 3"
Max. load in basket	507 lbs
Basket dimensions	55" x 27" x 43"
Basket rotation	+/-90° (optional)
Turret rotation	+/- 355° (710° continuous)
Total weight	6,669 lbs



**Technical data sheets have been converted from metric measurements to U.S. customary units (feet and inches) to provide the most accurate specifications for the U.S. market. All specifications are subject to change and are non-binding. Always refer to the official operator's manual for the exact and most up-to-date technical data.*



