

G1200 SERIES

Sourcewell 
Awarded Contract
Contract # 020223-TBO



HIGHLIGHTS

All Steel Construction
Turf Friendly
Narrow Tire Option - 36.2 IN

G1200 SERIES QUICK SPECS

MODEL	G1200	G1200 TELE
ENGINE	KUBOTA, 25 HP	KUBOTA, 25 HP
SERVICE WEIGHT	2,420 LBS	2,420 LBS
LIFTING HEIGHT	85.4 IN	111 IN
TIPPING LOAD	2,400 LBS	1,980 LBS
WORKING HYDRAULICS	7.4 GPM	7.4 GPM
MAX SPEED	9.5 MPH	9.5 MPH

COMPACT DESIGN, BIG PERFORMANCE

G1200 SERIES



Sourcewell
Awarded Contract
Contract # 020223-TBO

CLEAR
360 Degree
Visibility



SAFE
Ergonomic &
Side Entry



COMFORT
Articulation &
Oscillation



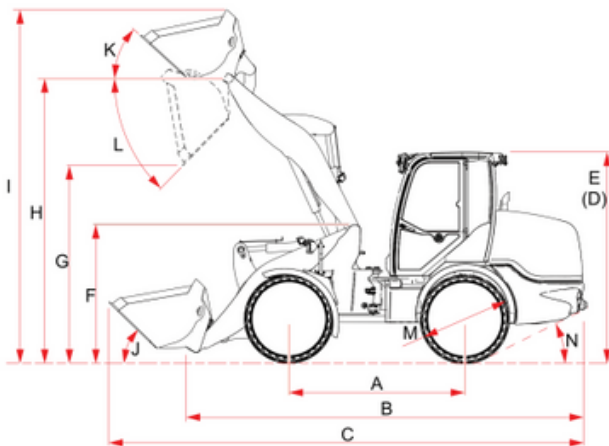
LIGHT
Less Ground
Damage



FAST
High Travel
Speeds

G1200 DIMENSIONS

G1200 TELE TIPPING LOADS



- | | |
|-------------|---------------|
| A. 48.4 IN | H. 85.4 IN |
| B. 87 IN | I. 117.3 IN |
| C. 114.2 IN | J. 43 DEGREES |
| D. 81.1 IN | K. 43 DEGREES |
| E. N/A | L. 46 DEGREES |
| F. 55.5 IN | M. 22.4 IN |
| G. 54.3 IN | N. 34 DEGREES |

