

OPTIONS

**Heated Cab,
ROPS, or Foldable ROPS**

MT or Mini Skid Plate

**Choose Boom for
X-TRA Lift Capacity**



Awarded Contract

Contract # 020223-TBO

G1500 SERIES QUICK SPECS

MODEL	G1500	G1500 X-TRA
ENGINE	KUBOTA, 26 HP	KUBOTA, 26 HP
SERVICE WEIGHT	3,263 LBS	3,362 LBS
LIFTING HEIGHT	100.7 IN	81.4 IN
TIPPING LOAD	2,293 LBS	3,307 LBS
WORKING HYDRAULICS	11.1 GPM	11.1 GPM
MAX SPEED	5.7/11.8 (OPT) MPH	5.7/11.8 (OPT) MPH

COMPACT DESIGN, BIG PERFORMANCE



WORKHORSE

The G1500 offers a workhorse attitude with versatility to match. It's powered with a Kubota 3-cylinder engine that doesn't require aftertreatment systems for a reliable low cost machine to own and operate.

X-TRA POWER

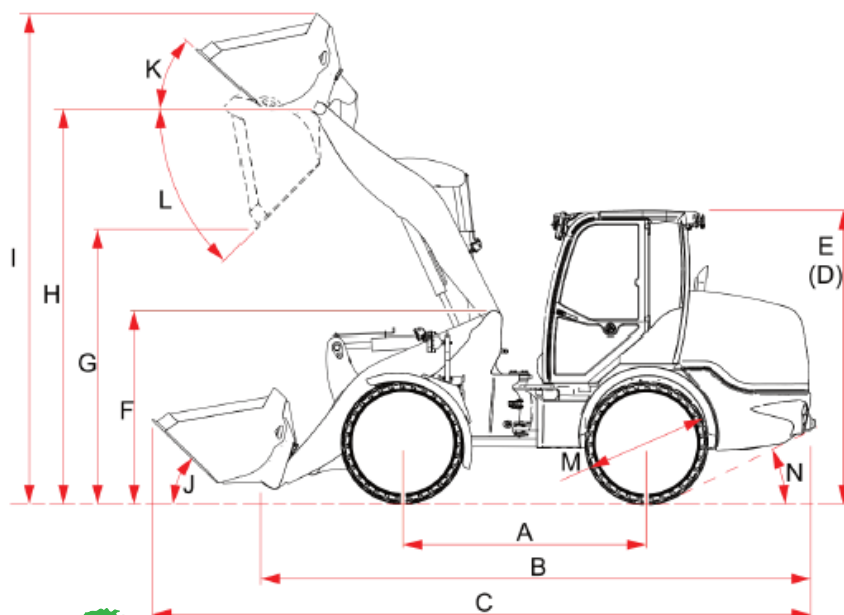
The G1500 offers two different booms; the X-Tra for additional lift capacity and the standard for higher lifting/dumping height.

SWISS ARMY KNIFE

Couple a heated cab, road lights, and variety of tire options, this becomes a compact and powerful snow removal machine.



DIMENSIONS



A. 53.9 IN	H. 100.8 IN
B. 105.1 IN	I. 123.6 IN
C. 132.3 IN	J. 41 DEGREES
D. 87.8 IN (CAB)	K. 52 DEGREES
E. 87.9 IN (ROPS)	L. 44 DEGREES
F. 61. IN	M. 26.4 IN
G. 72 IN	N. 27 DEGREES