

G2500 SERIES



Sourcewell
Awarded Contract
Contract # 020223-TBO

OPTIONS
Heated Cab,
ROPS, or Foldable ROPS
Universal Full Size SSL Plate
Standard or X-Tra Boom

G2500 SERIES QUICK SPECS

MODEL	G2500HD	G2500HD X-TRA
ENGINE	KUBOTA, 26 HP	KUBOTA, 26 HP
SERVICE WEIGHT	5,291 LBS	5,291 LBS
LIFTING HEIGHT	116.7 IN	98.3 IN
TIPPING LOAD	4,519 LBS	5,732 LBS
WORKING HYDRAULICS	10.6 GPM	10.6 GPM
MAX SPEED	12.4 MPH	12.4 MPH

COMPACT DESIGN, BIG PERFORMANCE

G2500 SERIES

GIANT
BY TOBROCO



Sourcewell
Awarded Contract
Contract # 020223-TBO

- 

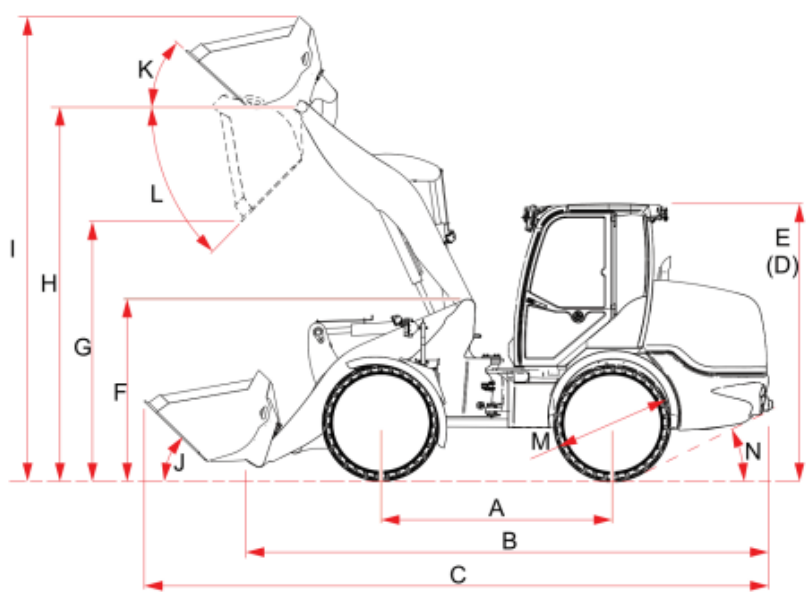
CLEAR
360 Degree
Visibility
- 

SAFE
Ergonomic &
Side Entry
- 

COMFORT
Articulation &
Oscillation
- 

LIGHT
Less Ground
Damage
- 

FAST
High Travel
Speeds



G2500 X-TRA HD DIMENSIONS

- | | |
|-------------------|---------------|
| A. 66.9 IN | H. 98.4 IN |
| B. 130.7 IN | I. 120.9 IN |
| C. 161 IN | J. 42 DEGREES |
| D. 92.5 IN (CAB) | K. 47 DEGREES |
| E. 91.3 IN (ROPS) | L. 37 DEGREES |
| F. 58.7 IN | M. 33.5 IN |
| G. 68.5 IN | N. 28 DEGREES |



EarthworX Equipment 833-437-8479 | earthworxequipment.com
A woman owned business affiliate of Ditch Witch Mid-States

