

G2700 HD+ TELE



Sourcewell 
Awarded Contract
Contract # 020223-TBO

POPULAR OPTIONS

Cab/Heat - High Flow 21 GPM
Boom Suspension (Ride Control)
14-pin Connector - Pro-itching
Heated Air-ride Seat - Stabilo

G2700HD+ TELE QUICK SPECS

Engine	Kubota D1803, 50 HP, 3 Cylinder
Drive system	Hydrostatic 4WD 100% diff lock
Plate style	Full size skid (SSL)
Hydraulic flow	13.5 GPM / 21 GPM - Optional High Flow
Lift capacity	5,381 lbs. to 1,854 lbs.
Lift height	11 ft. 10 in. (142 in.)
Boom extension	43 in.
Machine weight	5,940 lbs.
Road speed	18.6 mph
Machine width	42-59 in. (Based on wheel choice)

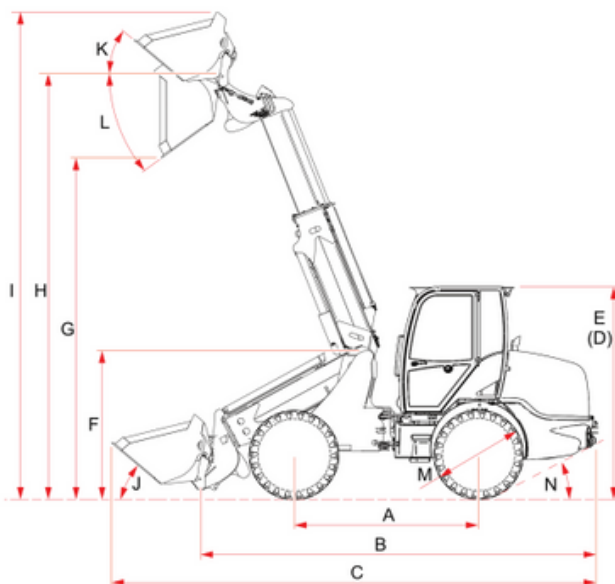
G2700 HD+ TELE

Sourcewell
Awarded Contract
Contract # 020223-TBO



- ✓ Less tire wear and ground damage
- ✓ Enhanced operator comfort through articulation and oscillation
- ✓ Bridging the gap between skid steers and large wheel loaders
- ✓ Safe and ergonomic operator station with side entry
- ✓ Higher lift heights and higher tipping loads compared to service weight

DIMENSIONS



A. 66.9 IN	H. 146 IN
B. 144.9 IN	I. 168.9 IN
C. 175.2 IN	J. 41 DEGREES
D. 92.5 IN	D. 50 DEGREES
E. NA	E. 35 DEGREES
F. 55.9 IN	F. 30.7 IN
G. 115 IN	G. 24 DEGREES

