

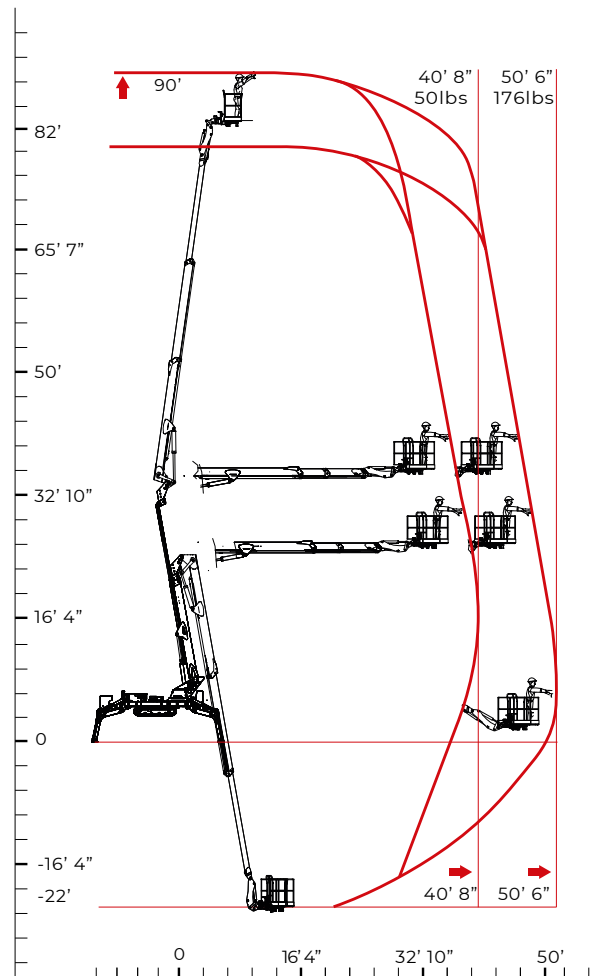
TECHNICAL SHEET

PERFORMANCE AND DIMENSIONS

Main features

This platform has compact design and high-performance capabilities: 90 ft working height, 50' 6" of horizontal reach and the ability to work in negative, down to -22 ft. With three stabilization areas, it can perform a wide range of tasks with outstanding efficiency and reliability.

| | |
|------------------------------------|----------------------------------|
| Max. working height | 90' |
| Possibility of working in negative | -22' |
| Max. outreach with 176 lbs | 50' 6" |
| Platform height | 83' |
| Max. load in basket | 507 lbs |
| Basket dimensions | 43" x 27" x 48" |
| Basket rotation | +/- 90° |
| Turret rotation | +/- 200°(400° continuous) |
| Total weight | 9,059 lbs |



**Technical data sheets have been converted from metric measurements to U.S. customary units (feet and inches) to provide the most accurate specifications for the U.S. market. All specifications are subject to change and are non-binding. Always refer to the official operator's manual for the exact and most up-to-date technical data.*



