





We Care

Join us on our journey to;

- **Create a sustainable future**
- **Restore the beauty to our neighborhoods**
- **Foster community engagement**





ABOUT US

4MyCiTy® is recognized as a public charity under Internal Revenue Code section 509(a) and has 501(c)(3) status. 4MyCiTy® is a non-profit run by a volunteer Board of Directors. We are registered in the States of Maryland and Florida. Our operational facilities are in Baltimore City, Hanover MD and Miami FL.

At 4MyCiTy®, Our focus is on the Importance of Environmental Sustainability. Primarily the Sustainable Management of Food in relation to food waste. Our Project is broken down into 4 phases that are all currently operating successfully. The focus is now on growth and demonstrating the full effectiveness of the program, highlighting the many benefits to our communities.



Our 4 Phase Sustainability Plan

Source Reduction:

we currently run a food rescue operation that partners with businesses to collect and distribute their potential food waste. We rescue cooked and uncooked foods, food scraps are also accepted as part of our community composting initiative. Business can contact us to help with food waste Audits and educational seminars for their teams. Our program has a primary focus on healthy foods, we foster relationships with Produce Distributors and the farming industry.



Industrial/commercial use:

We understand the connection between the health of the planet and the impacts of disposable food packaging. Our focus is to advance Zero Waste Systems in relation to food service products. Helping our partners be better stewards of the environment through the use of our line of Bio-degradable serving products.

Phase 1

Phase 2

Phase 3

Phase 4



Feed the Hungry and our animal friends:

all foods collected are distributed through our network of dedicated partner organizations. We choose our partners based on their ability and willingness to help us distribute all rescued foods to families facing food insecurity. Any food not fit for human consumption and can be safely served to our animal friends are diverted accordingly to our partner farms.



Composting:

We have successfully partnered and tested a very unique line of Automatic on site commercial composters. Our composter is capable of turning 100lbs of food waste into 10 to 15lbs of nutrient-rich soil amendment. The compost is distributed through our network of partners for them to focus on growing healthy foods.

The focus of our initiative, is to educate members of the community on the importance of reducing food waste at various stages. The goal being, diverting as much organic waste from our landfills and incinerators.



Milestones Achieved in 2020

53 Million
Pounds of Food
Distributed



44 Million
Meals Served

Based on USDA's 1.2lbs is an average meal



\$1,101,236
In Total dollars
brought in



\$843,634
Through
Corporate & In-
kind monetary
donations



\$257,602
Awarded in
Grants



498
Neighborhoods
served through
our USDA
Truckload
Distribution
partnerships



15
Committed
Active Partner
distributors for
food resources.



1st EVER
100%
Zero Food Waste
Initiative in
Operation



Partners committed to helping us achieve our food waste reduction goals

- SUDANO'S PRODUCE
- LANCASTER FOODS
- AMAZON
- SYSCO BALTIMORE
- HUNGRY HARVEST
- GOTHAM GREENS
- HILTON BALTIMORE
- NORTHEAST FOODS – H&S BAKERY
- BGREEN
- SAFEWAY
- DERSTINE'S FOODS
- MILITARY PRODUCE
- VINCENT FARMS
- WALMART
- CATHOLIC CHARITIES
- TULKOFF FOOD PRODUCTS
- JOHNS HOPKINS UNIVERISTY
- LOYOLA COLLEGE
- ALBERTSONS COMPANIES
- SALVATION ARMY MD
- UNITED WAY OF CENTRAL MD

**WE ACTIVELY
PURSUE
PARTNERSHIPS
WITH NEW
DISTRIBUTORS
DAILY**





ACTIVE COMMUNITY PARTNERS



We currently operate under an Exclusive FREE Partnership Program. Organizations that want to participate on a month to month basis have to commit to contributing towards our 4Phase Sustainability initiative. With their contribution participating organizations have access to all our resources. They learn about food waste and the steps we are taking towards improving our environment through our program. These participating organizations also help us to distribute all our rescue food within the communities they serve. Our operations were built on these partner relationships, they all volunteer time and resources which has kept our initiative running successfully over the past year and positioning us for future success.

Note; Community Partner totals are in no relation to community sites, example Food Rescue Baltimore is counted as 1 community Partner but they have 13 various community sites that they serve.



Notable community partners that have all received food resources from us in the past year. Some are still in our current daily distributions.

- **HOMES OF AMERICA – (we distributed to 12 of their low income and senior resident communities in MD)**
- **Food Rescue Baltimore (all their sites 12 in city limits)**
- **So What Else (all their sites)**
- **The Food Project**
- **Baltimore Free Farm**
- **St Francis Neighborhood Center**
- **Baltimore Community Food/An End to Ignorance**
- **Black Wall Street Charm City**
- **Changing Lives MD**
- **City Weeds**
- **Civic Works**
- **St Gabriel Catholic Church**
- **God Moms**
- **Langston Hughes Community Center**
- **Volunteers of America**
- **Ronald McDonald House**
- **Various present & past NFL players**
- **Over 100 Latin & community Churches**





2021 GOALS



01 Create Minimum of 7 PAID positions within our organization.

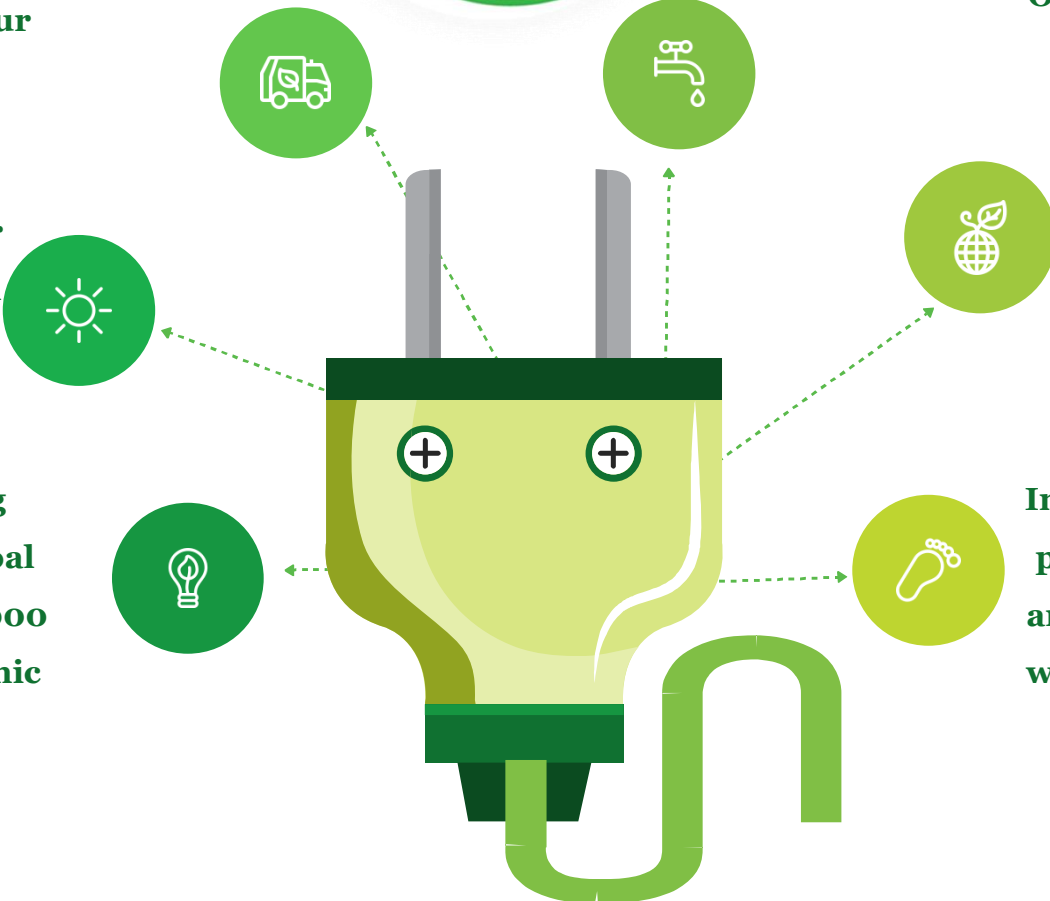
02 Increase our Distributor partners by at minimum 5 new donation partners.

03 Grow our Composting recovery efforts. Our goal is to collect & process 4000 to 6000 pounds of organic waste daily.

Grow to a consistent 50 Organizations participating in our 4Phase Sustainability initiative. **04**

Launch our full line of Bio-degradable food service serving and packaging products. **05**

Improve on our educational programs for our Partners and expand into more focus with kids/youths within our communities. **06**





The next few slides show our 2021 progress.



Payroll Company Contracted

- ❖ Deluxe Payroll

Accounting Firm Contracted

- ❖ Asendant Accounting

Staff Hired

- ❖ We have established 7 full time salaried positions for 2021. this will allow some financial stability for the dedicated personnel that have made 4MyCiTy successful. It will allow for full time focus on the growth and sustainability of our program.

Health Care Provider contracted

- ❖ United Healthcare has been contracted to provide full service medial care for our team.

Biodegradable Product line in Production

- ❖ Full line of food service items (In Production)
- ❖ Biodegradable/compostable shopping bags (Currently available for distribution)

Compost collection bins

- ❖ Our compost collection bins have been designed and currently in production. These will be used to collect food waste state wide.

On-Site Compost machine

- ❖ We currently have a 150, 500 & 8000 pounds a day compost machine in operation/production. These machines turns 100 pounds of food waste into 10-15 pounds of usable compost within a 24hr cycle.

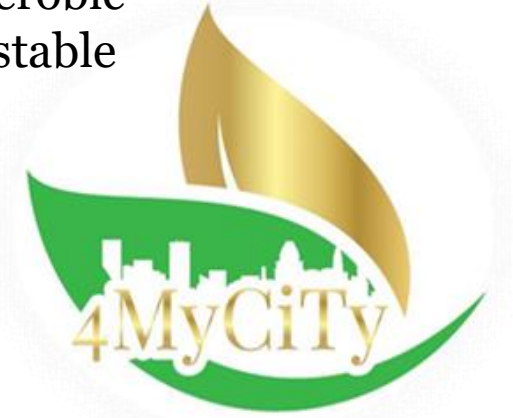


ADDRESSING FOOD INSECURITY



FOOD WASTE DIVERSION PLANS

One of the primary goals of 4MyCiTy is to reduce the negative effects that food waste has on our environment. We are the first and only organization that is running a ZERO food waste facility within the state. We are also the first and only organization that has an onsite aerobic digester. Our machine can take all types of food waste including biodegradable/compostable products and turn it into usable soil amendment within a 24Hr cycle.



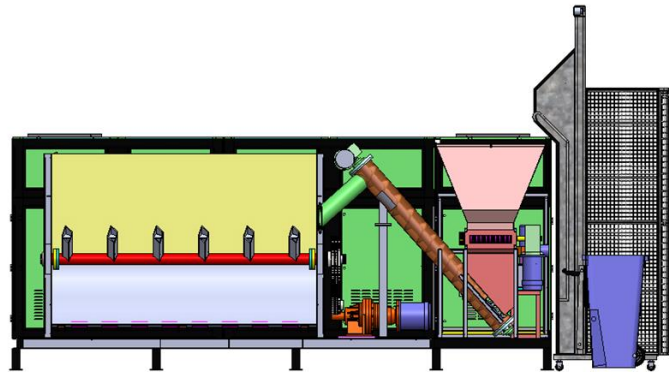
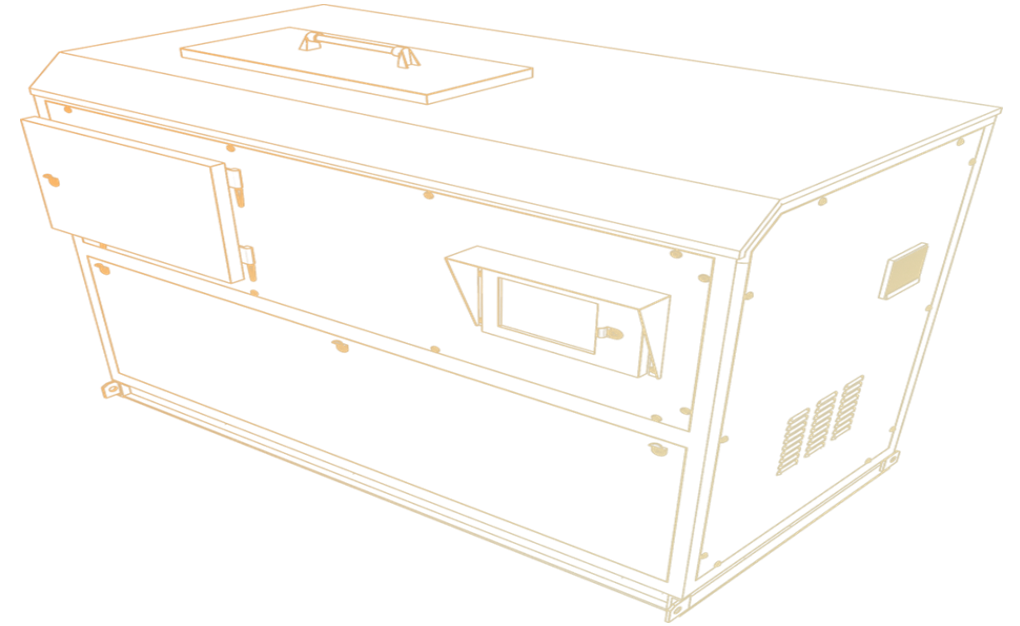
What have we achieved thus far;

- First onsite aerobic digester within Baltimore city limits & Maryland State
 - Currently processing 150 pounds of food waste and or biodegradable products daily since October 2020 through our onsite digester (22,650 pounds from October 2020 to February 2021) with a projected 62,050 pounds out of this one machine by year end 2021.
 - Diverted an estimated 1.5 million pounds of food waste in 2020 from going into our landfills.
 - Development plans are currently in place to build and operate a 12 Ton a day aerobic digester within city limits – Projected to convert an estimated 5183 Tons of food waste into usable compost by year end 2021
- 13 ➤ First ever ZERO cost to residents to compost & use our services

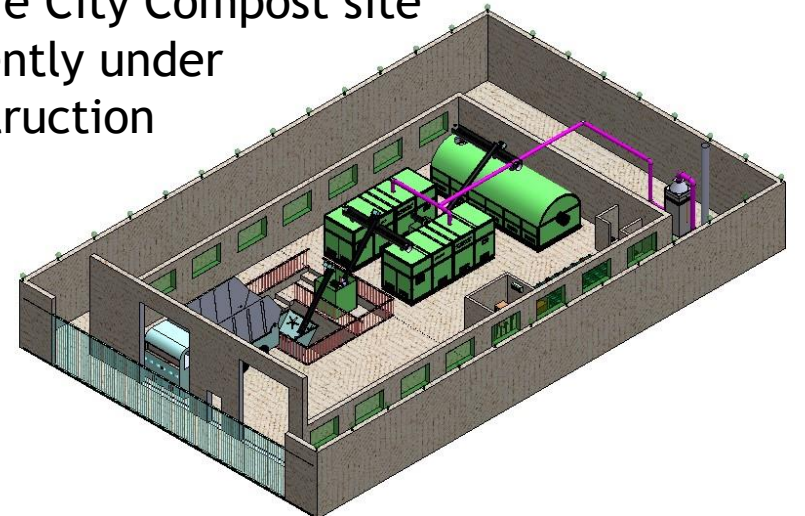


Our Current lineup of Aerobic digesters

With our Composters, going green is easy, safe and effortless. Our machines process various pounds per-day. We can keep an estimated 5183 Tons of food waste out of the landfills in one year. 100 pounds of food waste becomes 10 to 15 pounds of nutrient-rich soil amendment in just 24 hours. This number is just based on the organic waste processed directly through our machines,



Future City Compost site currently under construction



Benefits of Using our Aerobic Digester

This aerobic composter can help us manage and minimize our food waste, and turn it into a nutrient-rich soil amendment. The accelerated composting process is possible even in limited space or outdoors. In addition to being a nutrition-rich soil amendment, the end product from our machines can be used on-site to enrich outdoor spaces and gardens the way nature intended, and further save our environment.

Highlights

- ▶ The volume of food waste is reduced by up to 90% within a single 24-hour cycle
- ▶ Minimum labor: The chamber holding processed material only needs to be emptied every 8-10 days
- ▶ A fully automated process, with minimum noise and little or no odors
- ▶ The machines use a VFD (variable frequency drive), reducing energy consumption by 15%
- ▶ State-of-the art, proven safety features
- ▶ A touch-screen interface control panel for ease of operation (even kids can use)
- ▶ An optional built-in crusher available for frequent composting of entire fruits, larger bones, and food in biodegradable waste bags
- ▶ Suitable for indoor or outdoor installations.
- ▶ The finished material is perfect for on-site landscaping or home gardening
- ▶ The amendment returns nutrients to the soil and ecosystem
- ▶ Improves water retention within the soil
- ▶ Maintains the health of plants by suppressing diseases
- ▶ Reduces the amount of waste being sent to landfills, resulting in savings

Full Line of Biodegradable tableware



PRODUCTION PROCESS



Degradation Process



APPLICABLE FOOD



Snack		Fast Food		Refresh Ments	
Storage/barbecue/fast food A correct choice to make life healthy,health,safety					
Fakeaway		Fruit		Cooked Food	
	Soup		Dishes		

Estimated Decomposition Rates

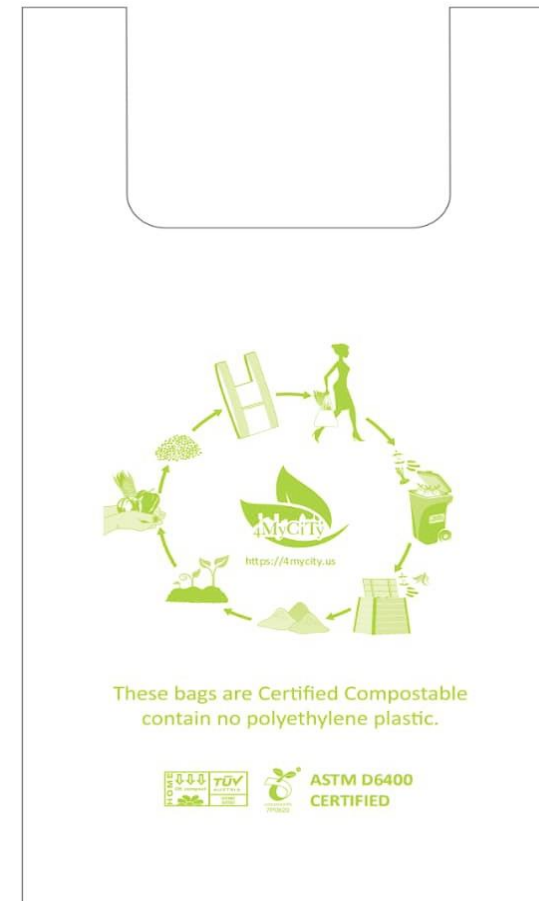
Paper	Leaves	Orange Peel	Milk Carton	Plastic Bag
2-4 Weeks	1-3 Months	3-6 Months	5 Years	10-20 Years
Aluminum Can	Plastic 6 Pk Ring	Plastic Bottle	Glass Bottle	Styrofoam
200-400 Years	400-500 Years	400-500 Years	500 Years-Forever?	Never?

Source: Penn State University, U.S. Bureau of Land Management

100% Biodegradable Bags

We have developed our very own line of 100% Biodegradable bags. These bags are Certified Compostable and contain no polyethylene plastic. Our bags can also be used in our aerobic digester. All bags are ASTM D6400 Certified.

- Bags will be available for purchase on our website and on Amazon
- Residents will be encouraged to use our biodegradable bags for daily shopping and collection of their household food scraps.



Food Waste Collection

Residents are allowed to drop off their food waste at our warehouse free of charge.



The poster features a green header with the title 'FOOD SCRAP DROP-OFF' in large white letters. To the left of the title are various food icons including an orange, a slice of meat, a lemon, a fish, strawberries, carrots, and a wedge of cheese. Below the header is a white section with the heading 'WHAT CAN I DROP OFF?' in green. On the left side of this section is an illustration of a yellow basket filled with fresh produce like leafy greens, a tomato, and asparagus, with a teabag and coffee grounds nearby. Below the basket is the '4MyCity' logo, which includes a stylized leaf and a city skyline. To the right of the basket is a green-bordered box containing two columns of text: 'ACCEPTED' and 'NOT ACCEPTED'. The 'ACCEPTED' list includes fruits & vegetables, coffee grounds & tea leaves, dry goods (breads, pasta, nuts, rice & grains), dairy products, eggs & egg shells, meat, fish, poultry & bones (cooked or uncooked), and food soiled paper products (napkins, paper towels, teabags & coffee filters). The 'NOT ACCEPTED' list includes plastic products, pet waste or diapers, shells, grease or fats, and ash from wood or charcoal. A yellow starburst graphic contains the text 'IF IN DOUBT, LEAVE IT OUT!'. At the bottom of the white section, a green banner reads 'Empty contents loosely in container, or use compostable bags'.

FOOD SCRAP DROP-OFF

WHAT CAN I DROP OFF?

ACCEPTED	NOT ACCEPTED
✓ Fruits & Vegetables	✗ Plastic products of any kind
✓ Coffee Grounds & Tea Leaves	✗ Pet Waste or Diapers
✓ Dry Goods <i>Breads, Pasta, Nuts, Rice & Grains</i>	✗ Shells
✓ Dairy Products, Eggs & Egg Shells	✗ Grease or Fats
✓ Meat, Fish, Poultry & Bones <i>Cooked or Uncooked</i>	✗ Ash from wood or charcoal
✓ Food Soiled Paper Products <i>Napkins, Paper Towels, Teabags & Coffee Filters</i>	

**IF IN DOUBT,
LEAVE IT OUT!**

Empty contents loosely in container, or use compostable bags

1300 S Monroe St Baltimore MD 21230

9am to 4pm Monday - Friday

Food waste collection bins

We Have partnered with Clean River, a company that produces waste collection bins made with 100% recyclable materials. These bins will be placed strategically across the State of Maryland with our network of Partners that subscribe monthly to our Food waste reduction efforts.

- Residents will be allowed to drop in their food waste into these collection bins free of charge.
- Residents will also be able to scan the QR code on top of the bin to access our website for addition locations of drop-off bins, Donate food to our food bank or simply learn more about 4MyCiTy and our operations
- Bins will be maintained by our team of amazing volunteers 24/7 to ensure cleanliness.



4MYCITY CONNECTIVITY APP IS IN DEVELOPMENT

Our app will allow our partners and the families within our community to:

- **Get updates on daily food distribution sites**
- **Locate our compost bins within their neighborhoods.**
- **Shop our merchandise**
- **Make donations to our program**
- **View our current food rescue statistics.**
- **Food waste & composting educational resources.**

These are just a few examples of what the 4MyCiTy application will allow users to review.



Lets talk or Schedule a visit to our facility.

The best way to understand our operations to emerge yourself in our initiative



wecare@4mycity.us



443 615 9502



www.4mycity.us