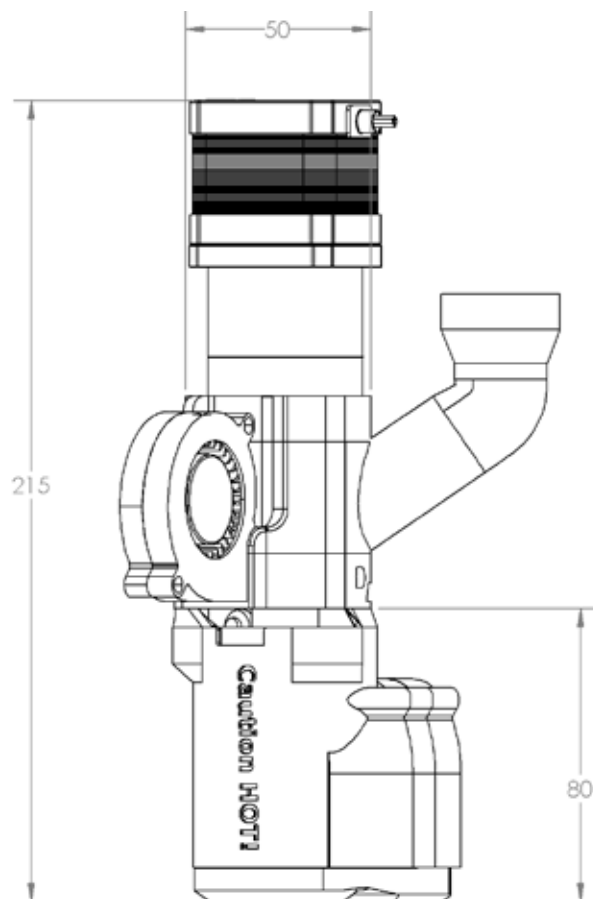
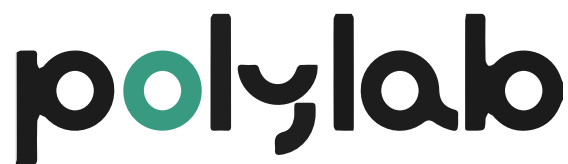


Archie.

Additional Technical Specifications



Parameter	Value	Units
Weight	0.950	kg
Flow rate	120	g/h
Compatible nozzle sizes	MK10 - 0.2 to 3	mm
Max temperature	300	°C
Max ambient temperature	100	°C
Screw speed	50	RPM
Power consumption	100	W
Recommended printing speed	50	mm/s