

SUPPORT & LIMITED ONE-YEAR WARRANTY

Airvent Australia Pty Ltd warrants this product to be free of defects in material and workmanship for the applications specified in the Owner's Manual for a period of one year from date of purchase.

This warranty only applies to the original purchaser of this product.

This warranty excludes damage, accidental or otherwise, to the unit not caused by a defect in material or workmanship.

The warranty also excludes damage caused by misuse, tampering modification, misassemble, repairs, or alteration or failure to adequately maintain and care for the unit. Operating this product under any conditions other than those recommended or at voltages other than indicated will also void this warranty. For warranty issues, contact the place of purchase for repair/replacement opportunities. The original date receipt or proof of purchase must accompany all returns.

All warranties expressed or implied are limited for one year from the date of purchase. Airvent is a register trademark of AIRVENT AUSTRALIA PTY LTD. Unless prescribed by law, AIRVENT shall not be liable for any personal injury, property or any incidental or consequential damage of any kind resulting from malfunctions, defects, misuse, improper assembly or installation, or alteration of this product.

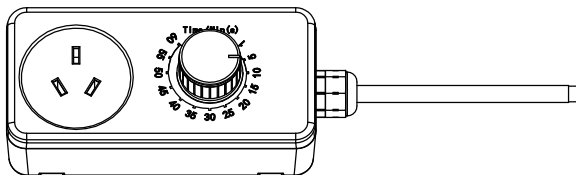
For further warranty clarification, please visit our website on www.airvent.com.au or email us on info@airvent.com.au.



One
Year

AIRVENT 

www.airvent.com.au



External PLUG & GO Run On Timer

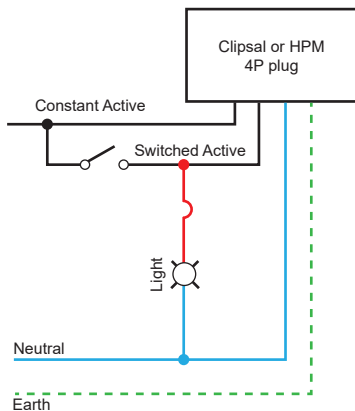
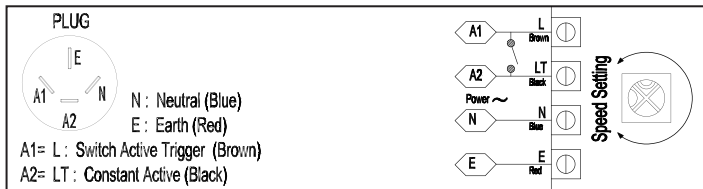
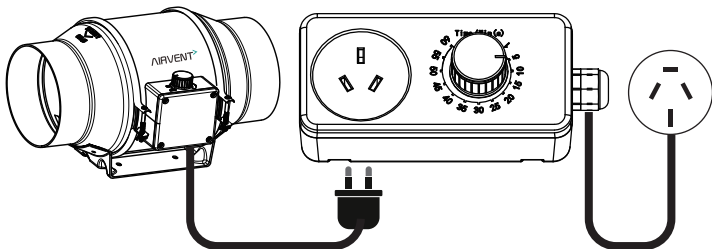
1 – 60 Minute Run-On-Timer

OWNER'S MANUAL

WARNING

- The External Run on Timer is designed for use in 100V-240V range only.
- All electrical installations must be carried out by suitably qualified and competent personnel in accordance with all statutory requirements.
- The installer should provide easy access to the External Run On Timer to facilitate future maintenance and ensure that the unit is adequately supported.
- This product is not intended for use by persons (including children) with reduced physical sensory or mental capabilities or lack of experience and knowledge, unless they have been given supervision or instruction concerning use of the product by a person responsible for their safety. Children should be supervised to ensure that they do not play with the product.
- Precautions must be taken to avoid open the casing, as it will void the warranty.

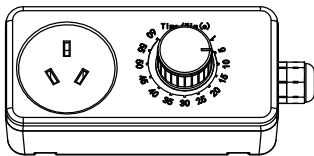
Recommended Connection



Installation Guide

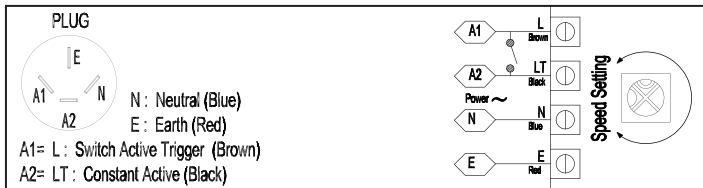
BEFORE STARTING

1. This unit requires a 4 Pin socket for installation, we recommend using HPM or Clipsal 4Pin Socket.
2. Ensure the 4 Pin outlet is wired in the same way as illustrated below before turning on power.



INSTALLATION METHOD

1. Plug in the 4 Pin Plug to the appropriate 4 Pin Outlet.
2. Plug in the 3 Pin Plug to the external Run-On-Timer junction box
3. Set the desired time for the Run-On-Timer



WARNING

Please ensure colour code is followed when wiring, incorrect wiring will result in damaged ROT PCB Board and will void warranty.