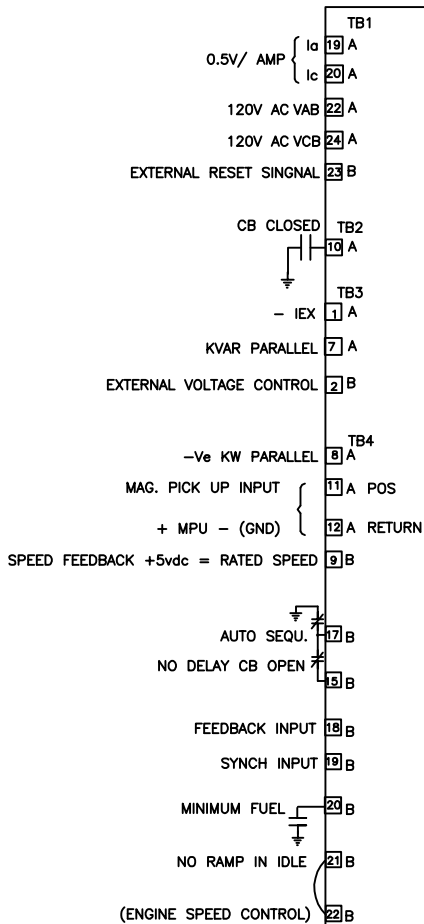
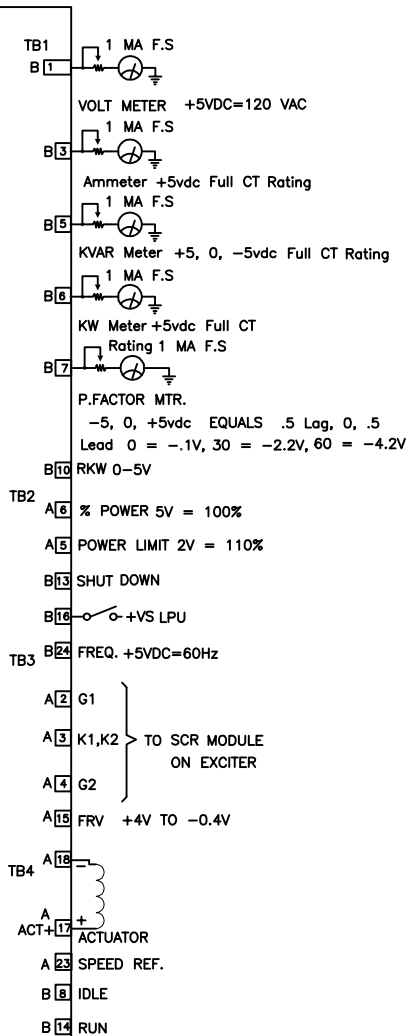


INPUTS

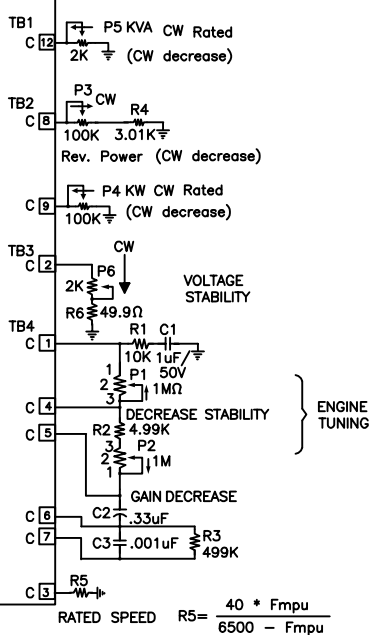
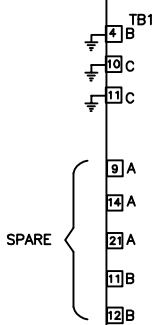
OUTPUTS



EG2  
Input, Output  
and Setup Terminals



SETUP



REVISIONS		
LTR	DATE	DESCRIPTION

APPROVALS	DATE
DRAWN M. Boehm	08/14/98
REVISED	
CHECKED	
APPROVED	

TITLE
INPUTS, OUTPUTS AND SETUP TERMINALS.
THIS IS PROPRIETARY DESIGN OF TECH POWER CONTROLS CO. REPRODUCTION OR USE OF THIS DESIGN IS NOT PERMISSIBLE UNLESS EXPRESSLY AUTHORIZED IN WRITING BY TECH POWER CONTROLS CO.

TECH POWER CONTROLS CO.	HOUSTON, TEXAS
SIZE B	DWG. NO. C06-105-B0