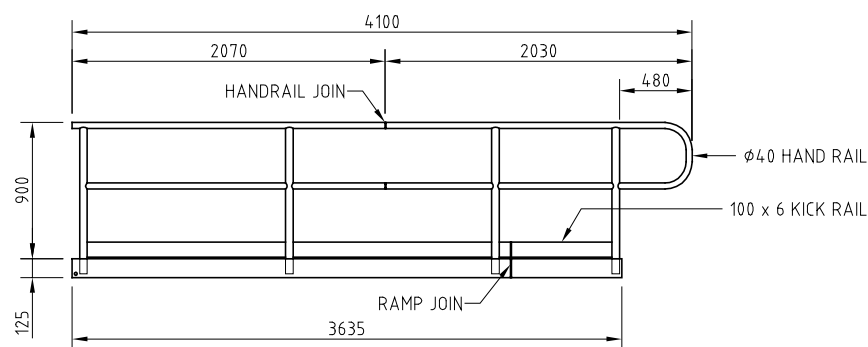
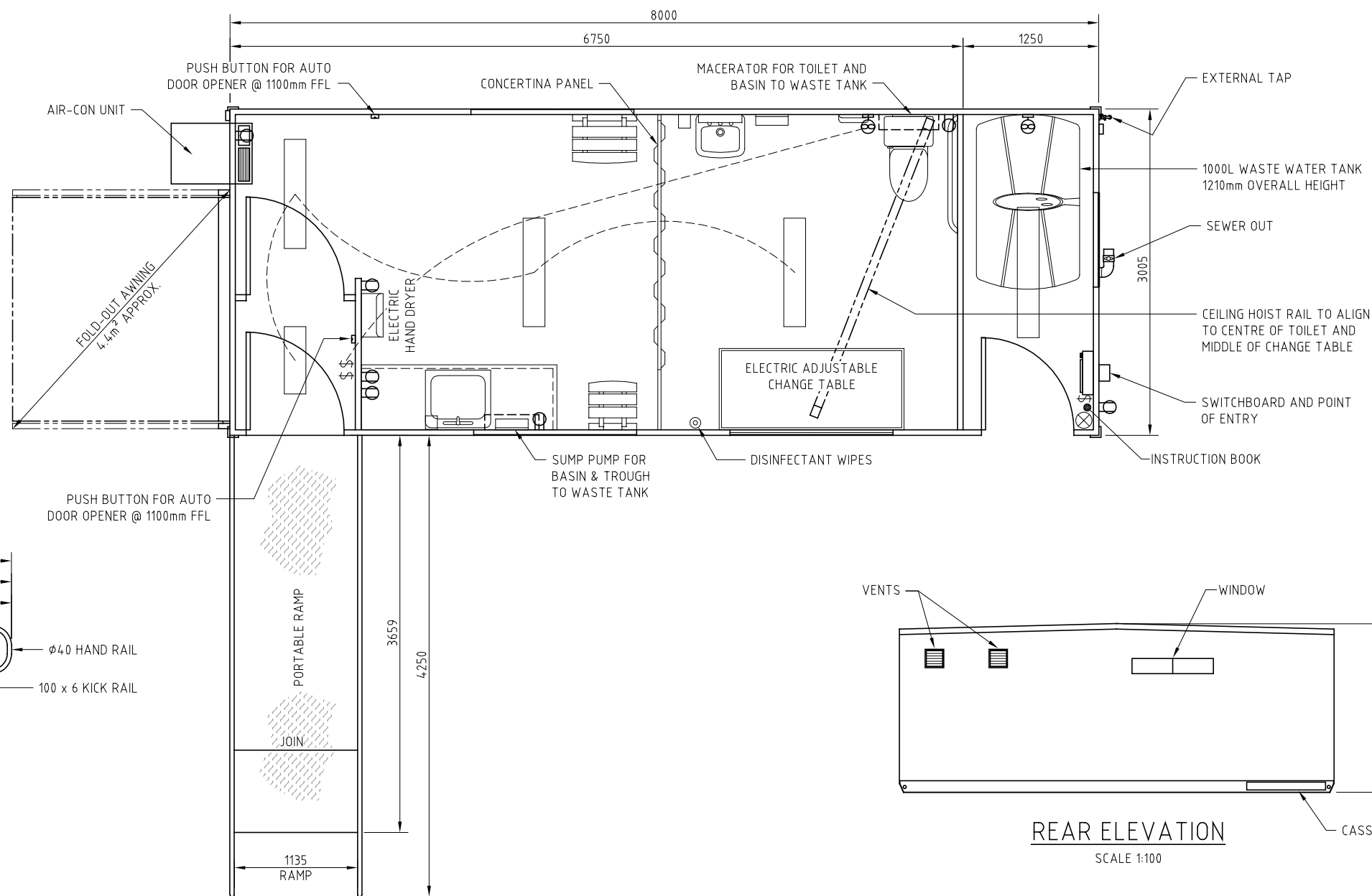
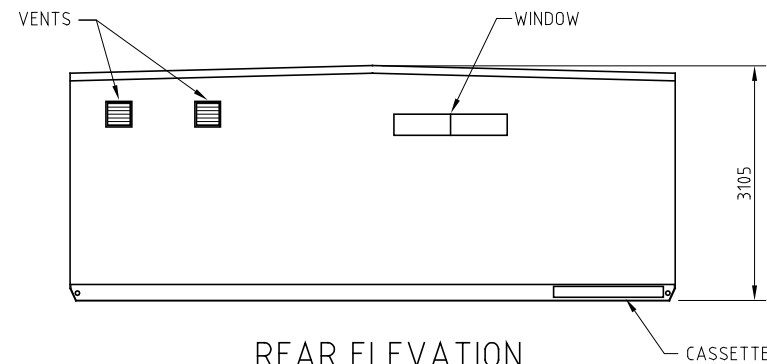


**SYMBOL LEGEND**

- ⊕ 240V POWER
- ⌘ LIGHT SWITCH
- ⊗ FIRE EXTINGUISHER

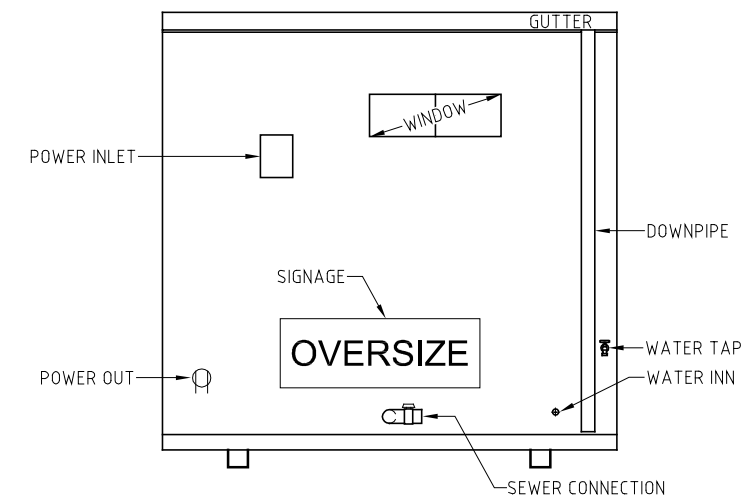
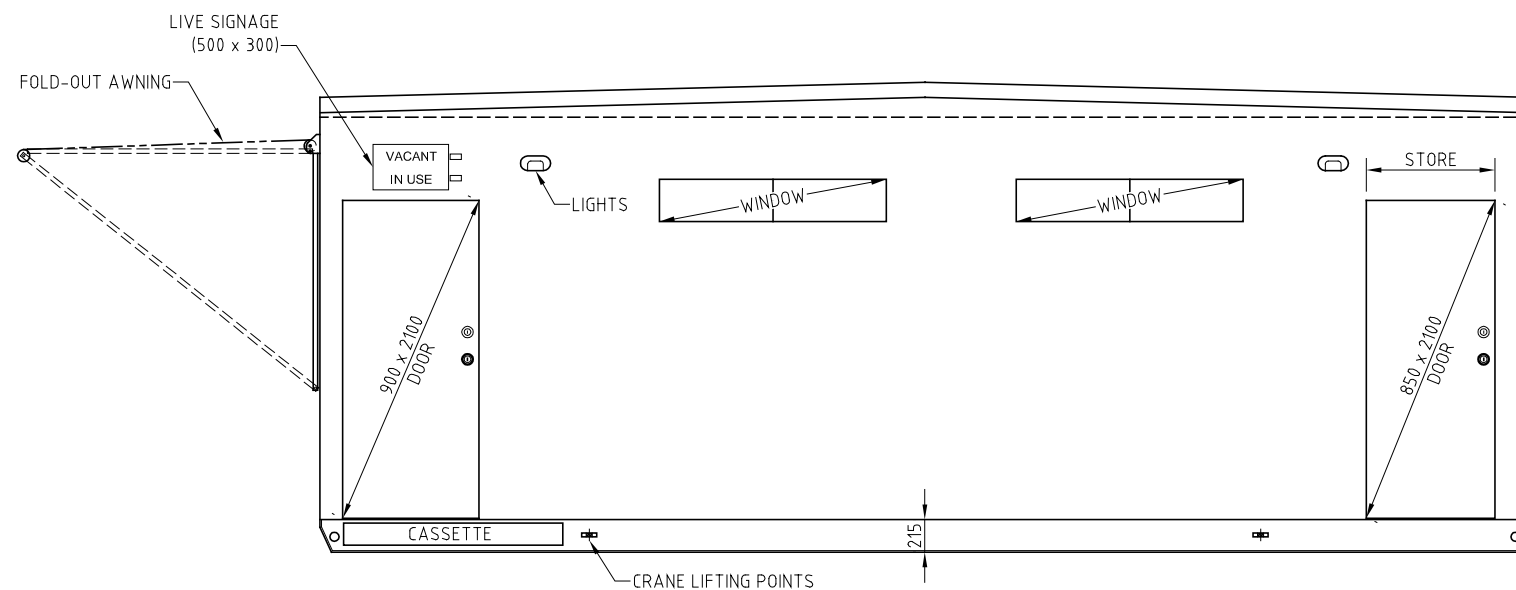
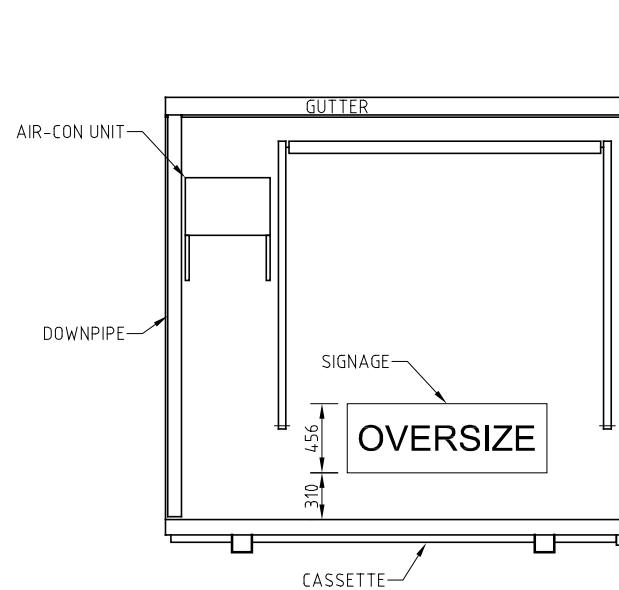


**PORTABLE RAMP ELEVATION**



**REAR ELEVATION**

SCALE 1:100

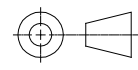


Clients:



DO NOT SCALE

UNLESS OTHERWISE STATED ALL DIMENSIONS IN MILLIMETRES



THIRD ANGLE PROJECTION  
DRAFTING STANDARD AS 1100

THIS DRAWING IS THE PROPERTY OF MOBILE CHANGING SYSTEMS P/L, AND MUST NOT BE REPRODUCED IN ANY FORM OR DISCLOSED TO ANY UNAUTHORISED PERSONS WITHOUT WRITTEN CONSENT FROM AN AUTHORISED REPRESENTATIVE OF MOBILE CHANGING SYSTEMS P/L.



Mobile Changing Systems  
22/51 Kalman Drive, Boronia  
VIC 3155, Australia  
Tel: +61.97295008 Mob: 0418 524 383

Date: 31.05.19

Drawn: ASBii

Checked: ---

SCALE 1:50 (FOR A3 SIZE PLOT)

0 200 400 1000mm

SCALE 1:50 (FOR A3 SIZE PLOT)

CLIENT: Maroondah City Council

TITLE: 8m x 3m Comfort Station  
ISSUED FOR QUOTATION

DWG No.

ATW-3155-02 IFQ

A3

REV 0