

DLX1224-4CV-CASAMBI

Multi Channel Dimmer/Driver

Created By



THE LIGHTING  
CONTROL COMPANY

Powered By



## Features & Benefits:

- DIMMER+DRIVER CASAMBI
- Input: DC 12-24 VDC
- Command: APP CASAMBI
- 4 Normally Open (N.O.) Push Buttons inputs
- Control: Dimmer, Tunable White, RGB, RGBW or RGB+W
- Constant Voltage or Constant Current output

## Product Description

This DLX1224 at 4 channels with CASAMBI module allows to control all kind of leds: White, Tunable White, RGB and RGBW.

Through this Dalcnet device it is possible to adjust the luminous brightness, to create multiple color scenes and settle color games, thanks to all commands available on "CASAMBI APP". The device is also provide with 4 analog input (n°4 Push Buttons Normally Open) to control up to four different scenes.

With Casambi APP it is possible to control Led lights just from one view, by taking a photo of the lamps in a room, or by creating different scenarios.

**DLX1224-4CV-CASAMBI**  
Multi Channel Dimmer/Driver

Created By  THE LIGHTING CONTROL COMPANY

Powered By 

## Specifications:

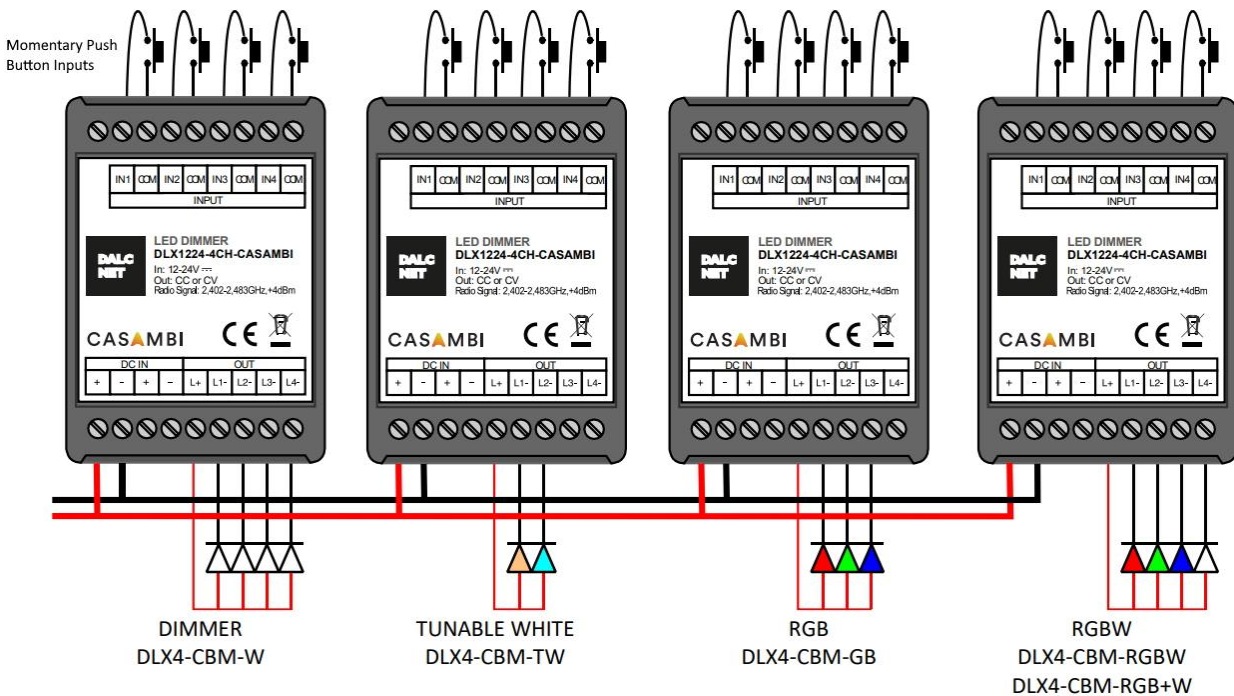
### DC Input:

Voltage range: 12-24 VDC

### Details:

Dimensions: 88mm x 54mm x 25mm

Temperature range: 14F to 104F



## Ordering Information:

### Part Number:

### Description:

DLX1224-4CC350-CASAMBI  
DLX1224-4CC500-CASAMBI

12-24V DC 4x350mA Constant Current  
12-24V DC 4x500mA Constant Current

DLC1224-4CV-CASAMBI

12-24V DC 4 x 5A (max 10A tot) Constant Voltage