

CESRSW12V

Ceiling Mount, Low Voltage, Wireless PIR sensors and Photocell

Created By

DANLERS
Lighting Controls & HVAC Controls



Features & Benefits:

- Detects both minor and major movement
- Active low voltage High/Low outputs for Relay drive
- Provides controls for multiple scene's, zones and control devices
- Up to 16 ft. mounting height
- 360° coverage pattern

Product Description

TheCESRSW12V is able to detect both major motion (walking across the detection zone) and minor motion (small hand or head movements).

TheCESRSW12V comes in versions that work with any of the firmware operating systems offered by Energio Controls, including Xicato, Casambi, Ingy and Bluetooth SIG.

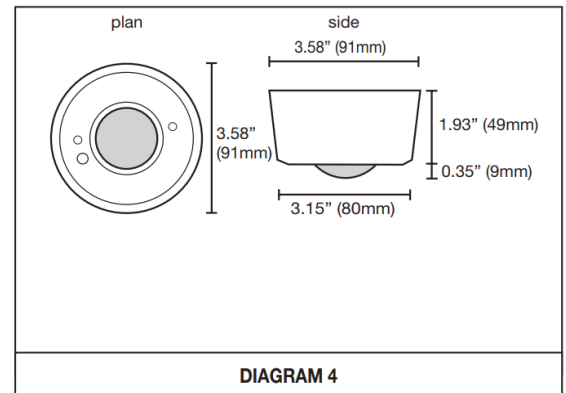
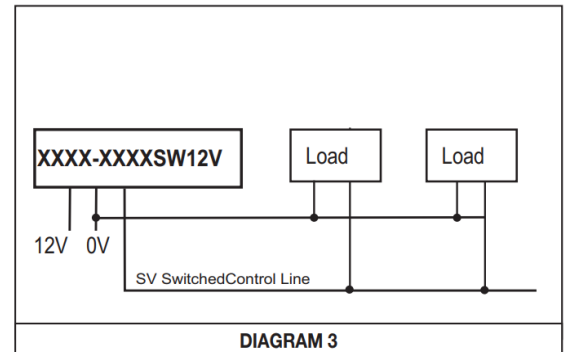
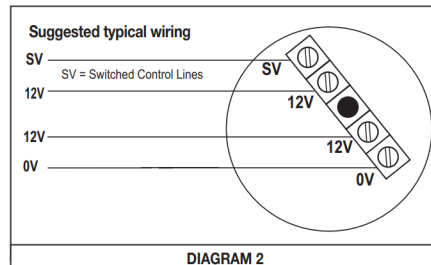
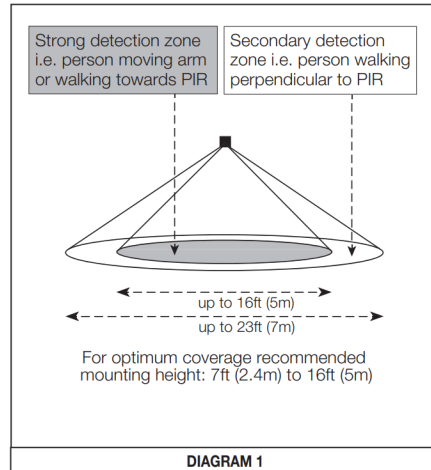
TheCESRSW12V is able to wirelessly signal and/or controls any dimming or switching device through out an entire network, no matter the distance or the device location.

CESRSW12V

Ceiling Mount, Low Voltage, Wireless PIR sensors and Photocell

Specifications:

INPUT	
Voltage:	11.5-13VDC
Frequency:	N/A
Max. mains current:	52mA
Standby current:	38mA
LOADING 12VDC OUTPUT	
Output Max.	12VDC 6 amps Resistive
Inrush current	120A, 20mS
RADIO TRANSCEIVER	
Operating frequencies:	2.4... 2,480 GHz
Max. output power:	+4 dBm
LUX PARAMETERS	
Range:	5 - 2000 lux
OPERATING CONDITIONS	
Note: The temperature difference between the detection target and the background must be at least 4 °C.	
Ambient temperature:	-4... +104 °F
Storage temperature:	-13... +167 °F
Max. relative humidity:	0... 80%, non cond.
CONNECTORS	
Terminal block Wire size:	14-22AWG solid or stranded
Wire strip length:	0.23-0.28"
Tightening torque:	3.5lb in
MECHANICAL DATA	
Dimensions:	3.07" x 3.35" x 3.35"
Weight:	3.4oz (unpacked)
Degree of protection:	IP40
Protection class:	Built-in Class 2
Material (casing)	Flame-retardant polycarbonate
Finish / Colour	Matt /White (RAL 9003)
Protection class:	Built-in Class 2



Ordering Information:

Part Number:

XIT-CESRSW12V
CBU-CESRSW12V
INGY-CESRSW12V
BLE-CESRSW12V

Description:

Xicato version
Casambi version
Ingy version
Bluetooth version