

Standard Kitten

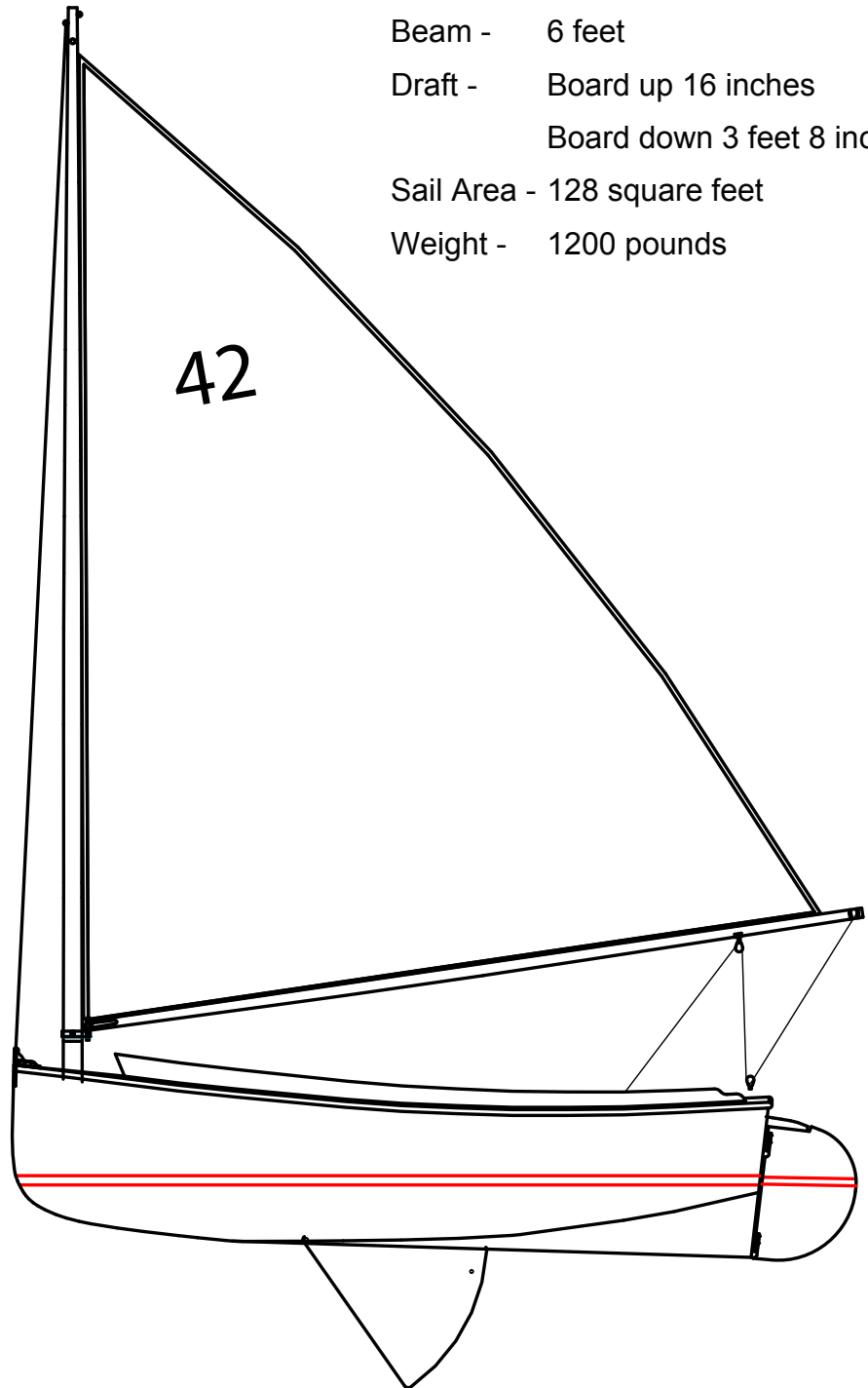
- Hull, liner, and deck made of hand-laid composite with polyester resin. Deck reinforced with closed cell PVC foam.
- Spruce spars
- Dacron sail
- Simple-to-sail Marconi rig
- Traditional bronze fittings
- Lead ballast
- Positive floatation

LOA - 15 feet, 2 inches
LOD- 13 feet, 7 inches
LWL- 15 feet, 0 inches
Beam - 6 feet
Draft - Board up 16 inches
Board down 3 feet 8 inches
Sail Area - 128 square feet
Weight - 1200 pounds

Base Price: \$25, 990

Kitten Options

- Spinnaker & Fittings
- Bottom Paint
- Teak coaming, seats, & trim
- Flexiteek floor (non-skid)
- Flexiteek Deck
- Varnished Inlaid Deck
- Varnished Finish on Standard Trim
- Main Sheet Cam Cleat
- Brass Rub Rail
- Name, Stick-on Graphic
- Name, Carved Quarterboard
- Safety Package
- Sail Cover
- Cockpit Cover
- Trailer with Rollers
- Wood Cradle
- Bilge Pump with Battery
- Carbon Fiber Mast
- Prep for shipment



Wenaumet Bluffs Boat Works
Dave Arch - 888-224-9942
dave@wbboatworks.com
wbboatworks.com