

Euphoria[®]

AVRASYA APPLIANCES

LATEST TECHNOLOGY, GREATEST VALUE



COOKER HOODS



www.avrasyaexport.com



Euphoria
HOODS



Air Cleaning
Function



Halogen Lamp



Touch Control



LED Lighting



LED Display

FEATURES



Touch Control Sensor Keys

The Touch Control Sensor keys facilitate easy operation of the smoke extractor hood. Settings for power, delayed shut-off and lights can be easily and conveniently adjusted simply by applying finger pressure.

Silent Operation

High noise caused by the motors prevents the usage of hoods during cooking which decreases the performance of the filters. Noise reduction features of the Temikel Hoods as much as 46 db makes it as silent as raindrops. Silent operation helps you to work in a calm environment and keeps your kitchen air clean without causing noise pollution.



LED Lighting

Many smoke extractor hoods are equipped with LED lights. As a result the hob is perfectly lit. This innovative type of illumination is distinguished by its extremely low power consumption.



Automatic shutdown

Touchcontrol models in the deluxe hood collection have automatic shutdown feature which provides the ease of shutting down the hood by adjusting the timer. Using a hood has never been that easier, simply apply finger pressure on the timer button, once the timer button is pressed all the foul smell will be exhausted within 15 minutes and hood will automatically shutdown.

Motion Detector Sensor

Our presents one of its kind motion detector features in its deluxe models. Simply waving to the hood activates the sensor and motion detectors located on the control panel allows you to function the hoods without touching the panel. By preventing the contact between oily hands and hoods surface, this features ensures the cleanliness of your hood.

HOW TO FIND THE BEST HOOD?

Common belief that hoods with higher suction power can perform a better job at cleaning the air makes people tend to buy hoods with maximum suction power. However the best measure while selecting a hood is finding a hood compatible with the size of your kitchen. Selecting a hood suitable with the size of the kitchen prevents unnecessary energy consumption and saves you from 'Rheumatism' a disease caused due to exposure to the air stream generated by hoods. Below mentioned formula will help you to select the best hood for your kitchen.

Kitchen Dimensions: Width 3 metres Length 5 metres Height 3 metre

Best suction power values according to kitchen dimensions

Width(3) * Length(5) * Height(3)*8 = 360 m³ / Minimum

Width(3) * Length(5) * Height(3)*12 = 540 m³ / Maximum

(8 and 12 values used in the equation are found as a result of R&D researches)

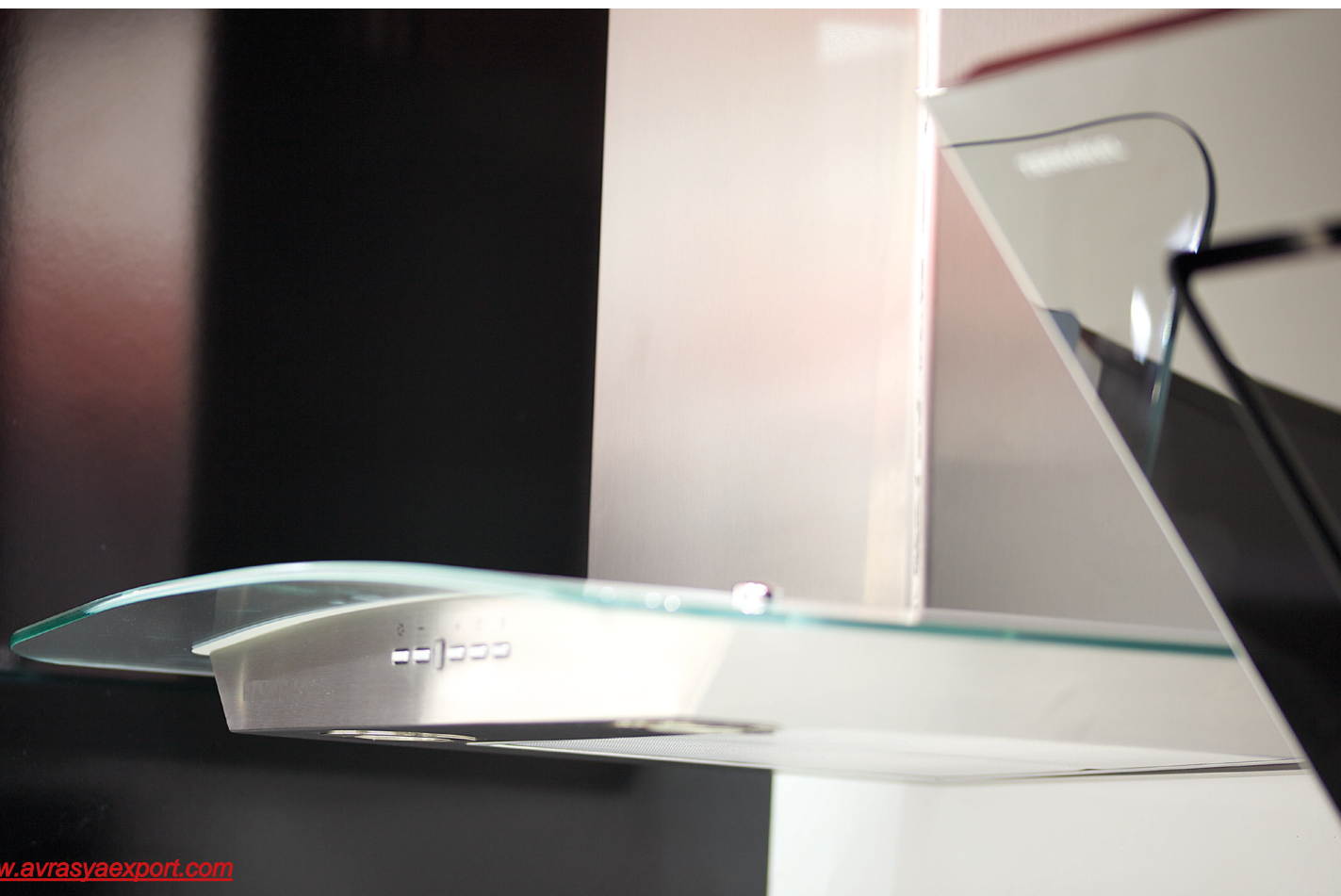
Values found are the minimum and maximum suction powers.

Hence hoods ranging between 360 m³ and 540 m³ are suitable for the above mentioned kitchen dimension.

If a Cooking hood is chosen which has 500 m³, to ventilate the environment;

- $500/60 = 8,3$ m³ will be transferred in 1 minute. If the kitchen volume is 45 m³, $45/8,3 = 5,4$ mins.

Briefly, by operating the cooking hood for 5,4 minutes, all the foul air of the environment will be exhausted totally.



AVEZYA ADA

ISLAND HOOD

BB



Features

- 1** Led Display
- 2** Touch Control Panel
 - 4-stage Suction Power
 - Aluminum Filter Washable in Dishwasher
 - 15 minute auto shut-off
- 3** Air Cleaning Function
 - Filter Occupancy Warning for Aluminum and Carbon Filters
 - Remote Control
- 4** Led Lighting 4 X 1W

WW



Surface Variation

- Tempered Black Glass–Inox Body (WW White Glass)

Important Data and Dimensions

- Ducted or Recirculating Air Operation
- 5** Low Noise Level
 - 250W Engine power
 - 250/400/550/850 m3
 - Dimensions: 90 cm

BELLIS ADA

ISLAND HOOD

BB



WW



S

- 1** Led Display
- 2** Touch Control Panel
 - 4-stage Suction Power
 - Aluminum Filter Washable in Dishwasher
 - 15 minute auto shut-off
- 3** Air Cleaning Function
 - Filter Occupancy Warning for Aluminum and Carbon Filters
 - Remote Control
- 4** Halogen Lamp 2 X 20W

Surface Variation

- Tempered Black Glass-Black Body (WW White Glass and Body)

Important Data and Dimensions

- Ducted or Recirculating Air Operation
- 5** Low Noise Level
 - 250W Engine power
 - 250/400/550/850 m3
 - Dimensions: 90 cm

CASPIA XG 90

ISLAND HOOD



Features

- 1** Led Display
- 2** Touch Control Panel
 - 4-stage Suction Power
 - Aluminum Filter Washable in Dishwasher
 - 15 minute auto shut-off
- 3** Air Cleaning Function
 - Filter Occupancy Warning for Aluminum and Carbon Filters
 - Remote Control
- 4** Halogen Lamp 2 X 20W

Surface Variation

- Tempered Glass-Inox Body

Important Data and Dimensions

- Ducted or Recirculating Air Operation
- 5** Low Noise Level
 - 250W Engine power
 - 250/400/550/850 m3
 - Dimensions: 90 cm

LILIUM XB 90

ISLAND HOOD



Features

- 1** Led Display
- 2** Touch Control Panel
 - 4-stage Suction Power
 - Aluminum Filter Washable in Dishwasher
 - 15 minute auto shut-off
- 3** Air Cleaning Function
 - Filter Occupancy Warning for Aluminum and Carbon Filters
 - Remote Control
- 4** Halogen Lamp 4 X 20W

Surface Variation

- Tempered Glass-Inox Body

Important Data and Dimensions

- Ducted or Recirculating Air Operation
- 5** Low Noise Level
 - 250W Engine power
 - 250/400/550/850 m3
 - Dimensions: 90 cm

ARGEMON 60/90

WALL HOOD

BB



WW



Features

- 1** Led Display
- 2** Touch Control Panel
 - 4-stage Suction Power
 - Aluminum Filter Washable in Dishwasher
 - 15 minute auto shut-off
- 3** Air Cleaning Function
 - Filter Occupancy Warning for Aluminum and Carbon Filters
 - Remote Control
- 4** Halogen Lamp 2x20 W

Surface Variation

- Tempered Black Glass –Black Body (WW White Glass and Body)

Important Data and Dimensions

- Ducted or Recirculating Air Operation
- 5** Low Noise Level
 - 115W Engine Power
 - 250/400/550m3
 - Dimensions: 60/90 cm

CANNA XB60/90

WALL HOOD



Features

- 1** Led Display
- 2** Touch Control Panel
 - 4-stage Suction Power
 - Aluminum Filter Washable in Dishwasher
 - 15 minute auto shut-off
- 3** Air Cleaning Function
 - Filter Occupancy Warning for Aluminum and Carbon Filters
 - Remote Control
- 4** Halogen Lamp 2x20 W

Surface Variation

- Tempered Black Glass – Inox Body

Important Data and Dimensions

- Ducted or Recirculating Air Operation
- 5** Low Noise Level
 - 250W Engine Power
 - 250/400/550/850 m³
 - Dimensions: 60/90 cm

CASPIA 60/90

WALL HOOD

BB



WW



XG



Features

- 1** Push-Button Control Panel
 - 3-stage Suction Power
 - Aluminum Filter Washable in Dishwasher
- 2** Halogen Lamp 2x25W

Surface Variation

- Tempered Grey Glass – Black Body (WW60 White, XG60 Steel Body)

Important Data and Dimensions

- Ducted or Recirculating Air Operation
- 3** Low Noise Level
 - 105W Engine Power
 - 300/400/500m³
 - Dimensions: 60/90 cm

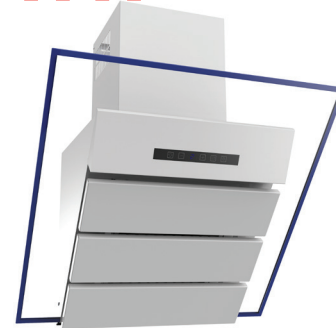
CLARA 60

WALL HOOD

BB



WW



Features

- 1** Led Display
- 2** Touch Control Panel
 - 4-stage Suction Power
 - Aluminum Filter Washable in Dishwasher
 - 15 minute auto shut-off
- 3** Air Cleaning Function
 - Filter Occupancy Warning for Aluminum and Carbon Filters
 - Remote Control
- 4** Led Lighting 2 X 1W

Surface Variation

- Tempered Black Glass with LED Lights–Black Body (WW White Glass and Body)

Important Data and Dimensions

- Ducted or Recirculating Air Operation
- 5** Low Noise Level
 - 250W Engine power
 - 250/400/550/850 m³
 - Dimensions: 60 cm

COSMOS 60/90

WALL HOOD

BB



WW



Features

- 1** Led Display
- 2** Touch Control Panel
 - 4-stage Suction Power
 - Aluminum Filter Washable in Dishwasher
 - 15 minute auto shut-off
- 3** Air Cleaning Function
 - Filter Occupancy Warning for Aluminum and Carbon Filters
 - Remote Control
- 4** Led Lighting 2 X 1W

Surface Variation

- Tempered Black Glass-Black Body (WW White Glass and Body)

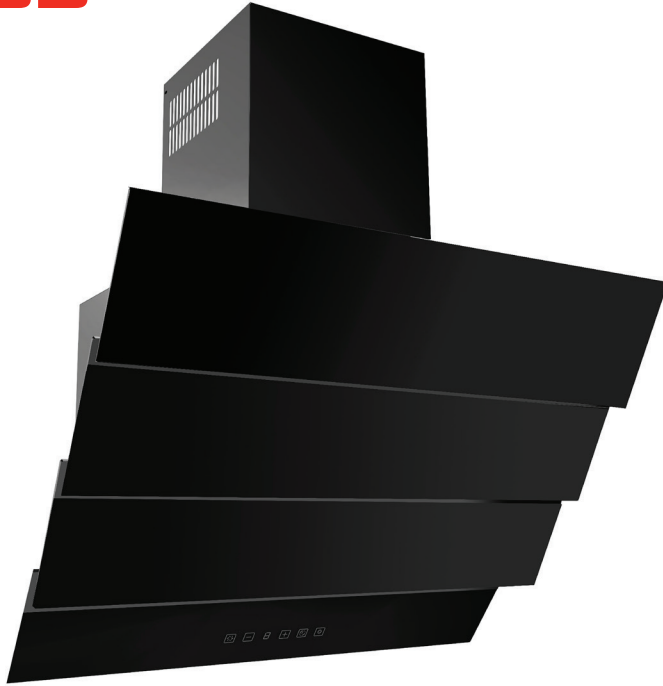
Important Data and Dimensions

- Ducted or Recirculating Air Operation
- 5** Low Noise Level
- 250W Engine power
- 250/400/550/850 m³
- Dimensions: 60/90 cm

FUJER 60

WALL HOOD

BB



WW



Features

- 1** Led Display
- 2** Touch Control Panel
 - 4-stage Suction Power
 - Aluminum Filter Washable in Dishwasher
 - 15 minute auto shut-off
- 3** Air Cleaning Function
 - Filter Occupancy Warning for Aluminum and Carbon Filters
 - Remote Control
- 4** Halogen Lamp 2x20 W

Surface Variation

- Tempered Black Glass – Black Body (WW60 White Glass and Body)

Important Data and Dimensions

- Ducted or Recirculating Air Operation
- 5** Low Noise Level
- 115W Engine Power
- 250/400/550 m3
- Dimensions: 60 cm

GARDENYA 60 RS

WALL HOOD

BB



WW



DD



Features

- 1** Push-Button Control Panel
 - 3-stage Suction Power
 - Aluminum Filter Washable in Dishwasher
- 2** Halogen Lamp 2x25W

Surface Variation

- Rustic-looking Decorative Handle and Button

Important Data and Dimensions

- Ducted or Recirculating Air Operation
- 3** Low Noise Level
- 105W Engine Power
- 300/400/450m3
- Dimensions: 60 cm

KOCHIA 60

WALL HOOD

BB



WW



XX



Features

- 1** Push-Button Control Panel
 - 3-stage Suction Power
 - Aluminum Filter Washable in Dishwasher
- 2** Halogen Lamp 2x25W

Surface Variation

- Black Body
- (WW60 White Glass and Body)

Important Data and Dimensions

- Ducted or Recirculating Air Operation
- 3** Low Noise Level
- 105W Engine Power
- 300/400/450m³
- Dimensions: 60/90 cm

LAGOON 60/90

WALL HOOD

BB



WW



XX



Features

- 1 Push-Button Control Panel
 - 3-stage Suction Power
 - Aluminum Filter Washable in Dishwasher
- 2 Halogen Lamp 2x25W

Surface Variation

- Black Body (WW60 White, XX60 Inox Body)

Important Data and Dimensions

- Ducted or Recirculating Air Operation
- 3 Low Noise Level
- 105W Engine Power
- 300/400/450m3
- Dimensions: 60/90 cm

LILIUM XB60/90

WALL HOOD



Features

- 1** Led Display
- 2** Touch Control Panel
 - 4-stage Suction Power
 - Aluminum Filter Washable in Dishwasher
 - 15 minute auto shut-off
- 3** Air Cleaning Function
 - Filter Occupancy Warning for Aluminum and Carbon Filters
 - Remote Control
- 4** Halogen Lamp 2x20 W

Surface Variation

- Tempered Black Glass – Inox Body (WW60 White Glass and Body)

Important Data and Dimensions

- Ducted or Recirculating Air Operation
- 5** Low Noise Level
 - 115W Engine Power
 - 250/400/550 m3
 - Dimensions: 60 cm

LOASA BB90

WALL HOOD



Features

- 1** Led Display
- 2** Touch Control Panel
 - 4-stage Suction Power
 - Aluminum Filter Washable in Dishwasher
 - 15 minute auto shut-off
- 3** Air Cleaning Function
 - Filter Occupancy Warning for Aluminum and Carbon Filters
 - Remote Control
- 4** Led Lighting 4 X 1W

Surface Variation

- Tempered Black Glass – Black Body

Important Data and Dimensions

- Ducted or Recirculating Air Operation
- 5** Low Noise Level
 - 250W Engine power
 - 250/400/550/850 m3
 - Dimensions: 90 cm

NOIRE BB60

WALL HOOD



Features

- 1** Led Display
- 2** Touch Control Panel
 - 4-stage Suction Power
 - Aluminum Filter Washable in Dishwasher
 - 15 minute auto shut-off
- 3** Air Cleaning Function
 - Filter Occupancy Warning for Aluminum and Carbon Filters
 - Remote Control
- 4** Led Lighting 2 X 1W

Surface Variation

- Tempered Black Glass – Black Body

Important Data and Dimensions

- Ducted or Recirculating Air Operation
- 5** Low Noise Level
 - 250W Engine power
 - 250/400/550/850 m3
 - Dimensions: 60 cm

LUMEX 60 RS

WALL HOOD

BB



WW



BD



Features

- 1** Led Display
- 2** Touch Control Panel
 - 4-stage Suction Power
 - Aluminum Filter Washable in Dishwasher
 - 15 minute auto shut-off
- 3** Air Cleaning Function
 - Filter Occupancy Warning for Aluminum and Carbon Filters
 - Remote Control
- 4** Halogen Lamp 2x20 W

Surface Variation

- Tempered Black Rustic Design Front Glass –Black Body
(WW60 White Rustic Design Front Glass- White Body)

Important Data and Dimensions

- Ducted or Recirculating Air Operation
- 5** Low Noise Level
 - 115W Engine Power
 - 250/400/550 m3
 - Dimensions: 60 cm

LUMEX 60/90

WALL HOOD, AVAILABLE IN 4 DIFFERENT STYLES

BB



BD



BR



WW



Features

- 1** Led Display
- 2** Touch Control Panel
 - 4-stage Suction Power
 - Aluminum Filter Washable in Dishwasher
 - 15 minute auto shut-off
- 3** Air Cleaning Function
 - Filter Occupancy Warning for Aluminum and Carbon Filters
 - Remote Control
- 4** Halogen Lamp 2x20 W

Surface Variation

- Available in 8 Different Colours Tempered Glass- Blac Body (WW60-WW90 White Body)

Important Data and Dimensions

- Ducted or Recirculating Air Operation
- 5** Low Noise Level
 - 115W Engine Power
 - 250/400/550 m3
 - Dimensions: 60/90 cm

THYME XB90

WALL-ISLAND HOOD



Features

- 1** Led Display
- 2** Touch Control Panel
 - 4-stage Suction Power
 - Aluminum Filter Washable in Dishwasher
 - 15 minute auto shut-off
- 3** Air Cleaning Function
 - Filter Occupancy Warning for Aluminum and Carbon Filters
 - Remote Control
- 4** Led Lighting 2 X 1W
 - 300mm Mobile Lift Panel

Surface Variation

- Tempered Black Glass-Inox Body (WW White Glass)

Important Data and Dimensions

- Ducted or Recirculating Air Operation
- 5** Low Noise Level
 - 250W Engine power
 - 250/400/550/850 m3
 - Dimensions: 90 cm

TIGRIS 60

WALL HOOD

BB



WW



Features

- 1** Push-Button Control Panel
 - 3-stage Suction Power
 - Aluminum Filter Washable in Dishwasher
- 2** Halogen Lamp 2x25W

Surface Variation

- Tempered Black Front Glass – Black Body (WW60 White Glass and Body)

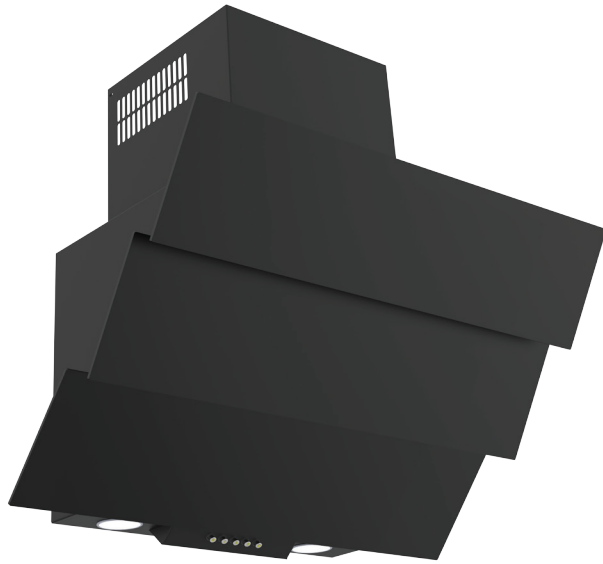
Important Data and Dimensions

- Ducted or Recirculating Air Operation
- 3** Low Noise Level
 - 105W Engine Power
 - 300/400/500m³
 - Dimensions: 60 cm

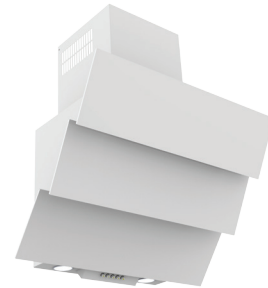
SAFRAN 60

WALL HOOD

BB



WW



Features

- 1** Push-Button Control Panel
 - 3-stage Suction Power
 - Aluminum Filter Washable in Dishwasher
- 2** Halogen Lamp 2x25W

Surface Variation

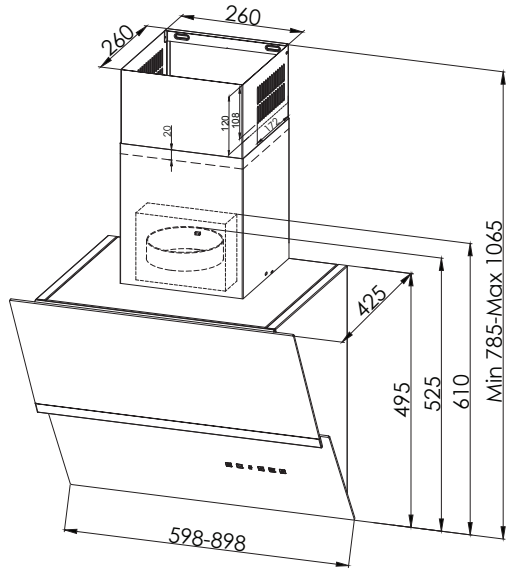
- Tempered Black Front Glass – Black Body (WW60 White Glass and Body)

Important Data and Dimensions

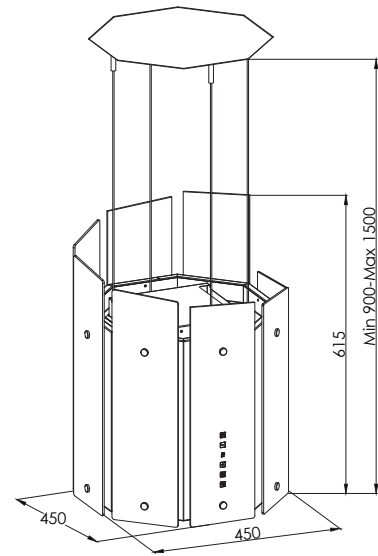
- Ducted or Recirculating Air Operation
- 3** Low Noise Level
- 105W Engine Power
- 300/400/500m3
- Dimensions: 60 cm

HOODS

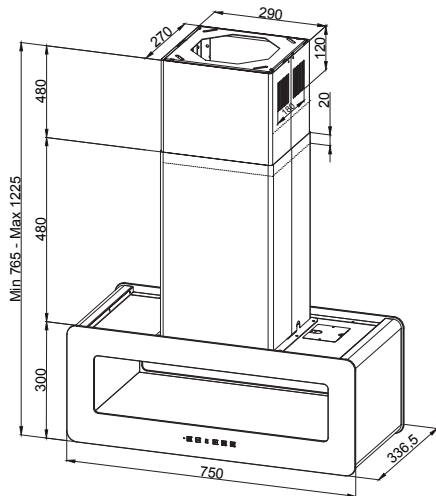
ARGEMON 60-90



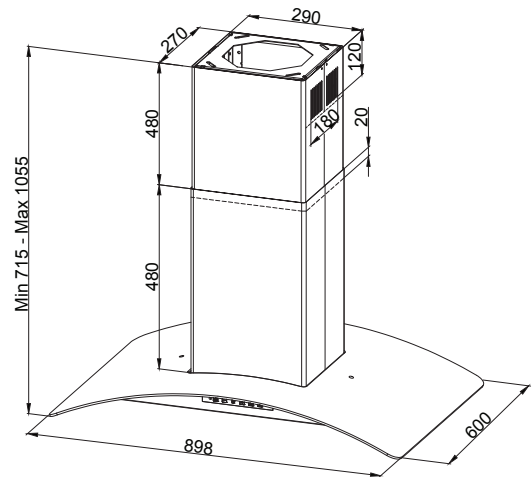
AVEZYA



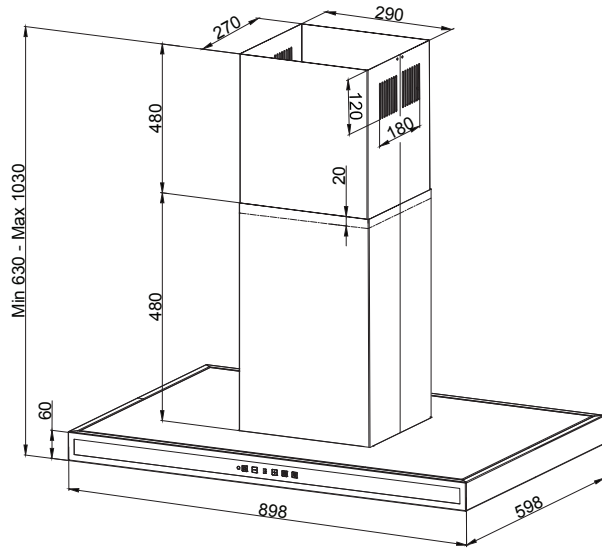
BELLIS



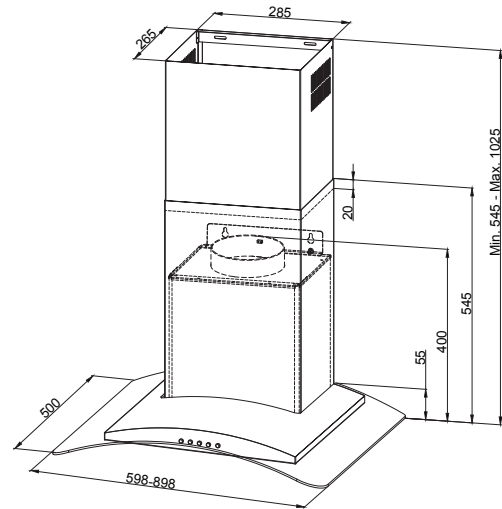
CASPIA ADA



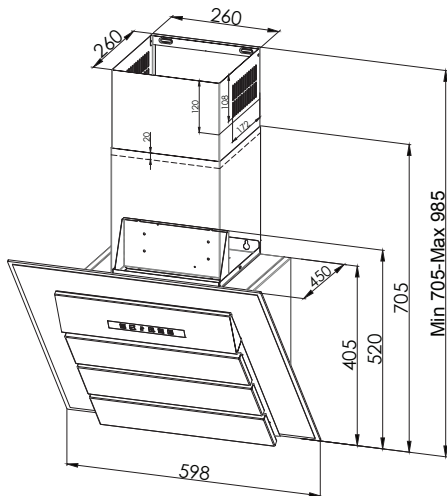
LILIUM ADA



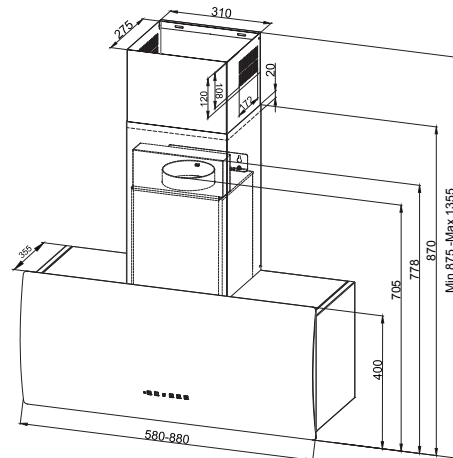
CASPIA



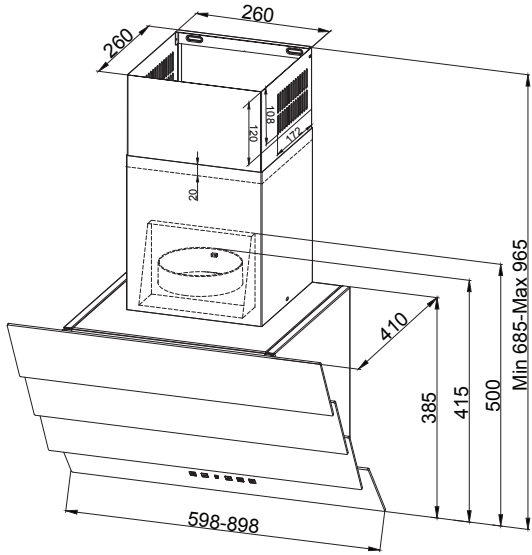
CLARA



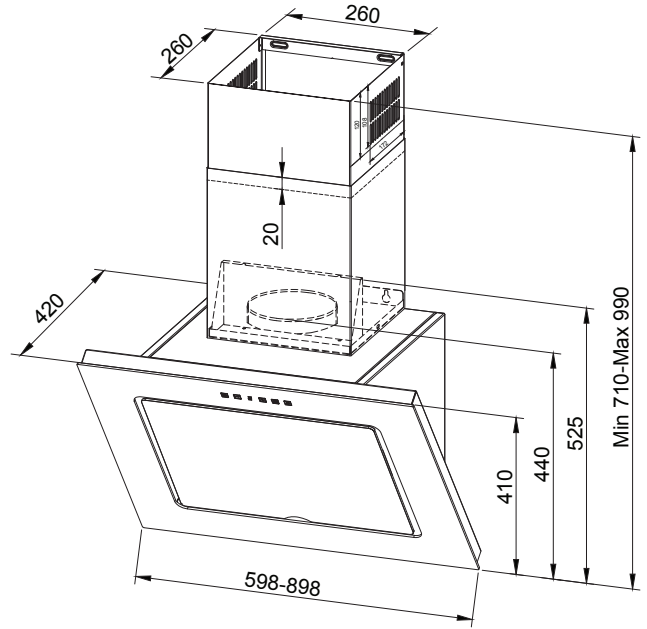
CANNA



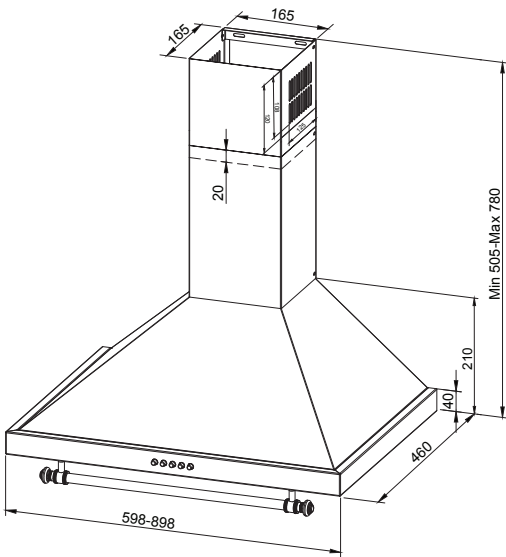
FUJER



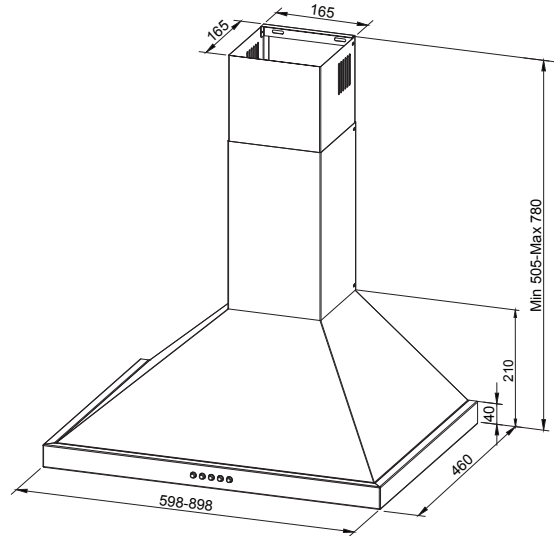
COSMOS



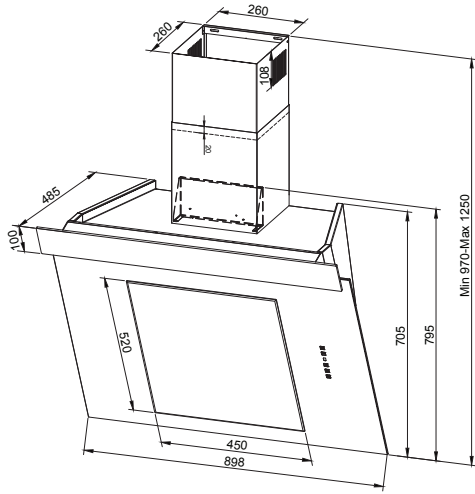
GARDENYA



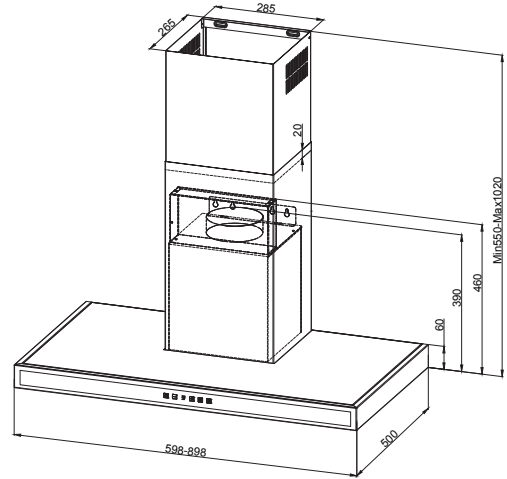
LAGOON



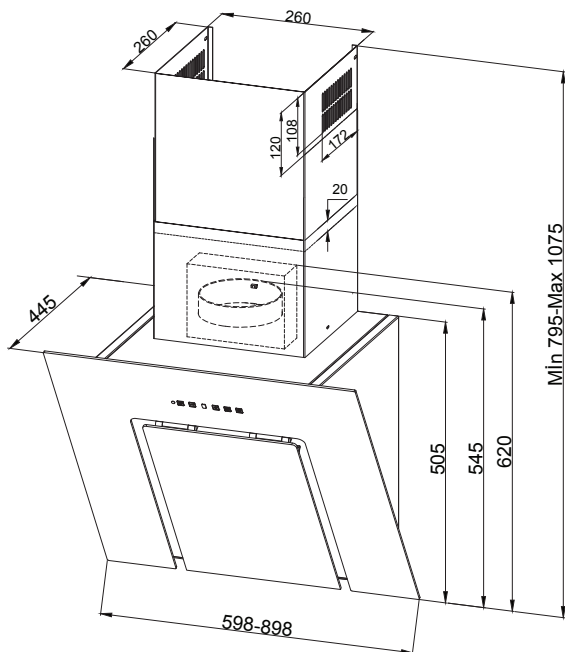
LOASA



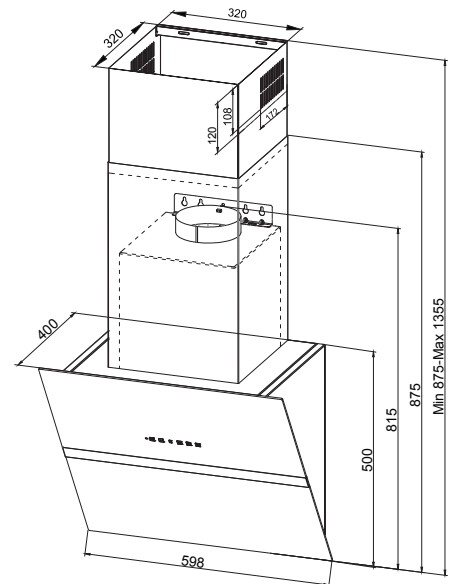
LILIUM



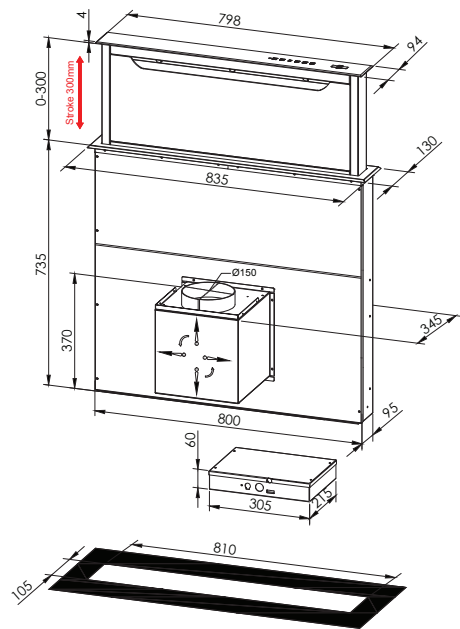
LUMEX



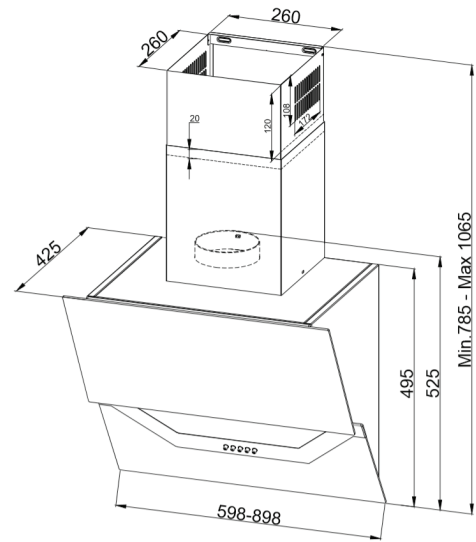
NOIRE



THYME



TIGRIS



KOCHIA

