

# ENERGY OF THE FUTURE





# INDEX

**ABOUT US**

**PRODUCTS**

- Battery Vehicle
- Multi Element Gas Container

**TECHNICAL DRAWINGS**

**REFERENCES**

**CERTIFICATES**

# PRODUCTS

- Battery Vehicle
- Multi Element Gas Container





# 3375 m<sup>3</sup> BATTERY VEHICLE

Volume	13500 L
Weight (Loaded)	23120 kg*
CNG Capacity 15C'	3375 m <sup>3</sup>
METHANE Capacity	3345 m <sup>3</sup>
Dimensions	20 FT
Height	2600 mm
Length	6500 mm
Width	2438 mm
Operating Pressure	200 Bar
Test Pressure	300 Bar
Standard	ADR / ISO 13807
TPED	YES
Pi Certificate	YES
Cylinder Material	STEEL
Color	DUE TO DEMAND
Operating Temperature	- 20 / + 60
Valve	<b>SAFETY VALVE WITH CERTIFICATE</b>

\* TRAILER IS INCLUDED IN BATTERY VEHICLE WEIGHT CALCULATIONS ACCORDING TO THE STANDARD.



# 4580 m<sup>3</sup> BATTERY VEHICLE

Volume	18000 L
Weight (Loaded)	29200 Kg*
CNG Capacity 15C'	4580 m <sup>3</sup>
METHANE Capacity	4460 m <sup>3</sup>
Dimensions	30 FT
Height	2600 mm
Length	9000 mm
Width	2438 mm
Operating Pressure	200 BAR
Test Pressure	300 BAR
Standard	ADR / ISO 13807
TPED	YES
Pi Certificate	YES
Cylinder Material	STEEL
Color	DUE TO DEMAND
Operating Temperature	- 20 / + 60
Valve	<b>SAFETY VALVE WITH CERTIFICATE</b>

\* TRAILER IS INCLUDED IN BATTERY VEHICLE WEIGHT CALCULATIONS ACCORDING TO THE STANDARD.



# 5625 m<sup>3</sup> BATTERY VEHICLE

Volume	22500 L
Weight (Loaded)	41500 Kg*
CNG Capacity 15C'	5625 m <sup>3</sup>
METHANE Capacity	5575 m <sup>3</sup>
Dimensions	40 FT
Height	2600 mm
Length	12000 mm
Width	2438 mm
Operating Pressure	200 BAR
Test Pressure	300 BAR
Standard	ADR / ISO 13807
TPED	YES
Pi Certificate	YES
Cylinder Material	STEEL
Color	DUE TO DEMAND
Operating Temperature	- 20 / + 60
Valve	<b>SAFETY VALVE WITH CERTIFICATE</b>

\* TRAILER IS INCLUDED IN BATTERY VEHICLE WEIGHT CALCULATIONS ACCORDING TO THE STANDARD.



## 20 FT / 4800 m<sup>3</sup> MEGC

Volume	18900 L
Weight (Loaded)	21000 Kg
CNG Capacity 15C'	4800 m <sup>3</sup>
METHANE Capacity	4680 m <sup>3</sup>
Dimensions	20 FT
Height	2600 mm
Length	6000 mm
Width	2438 mm
Operating Pressure	200 BAR
Test Pressure	300 BAR
Standard	ADR / ISO 13807
TPED	YES
Pi Certificate	YES
Cylinder Material	COMPOSITE/ STEEL
Color	DUE TO DEMAND
Operating Temperature	- 20 / + 60
Valve	SAFETY VALVE WITH CERTIFICATE



# 20 FT / 5650 m<sup>3</sup> MEGC

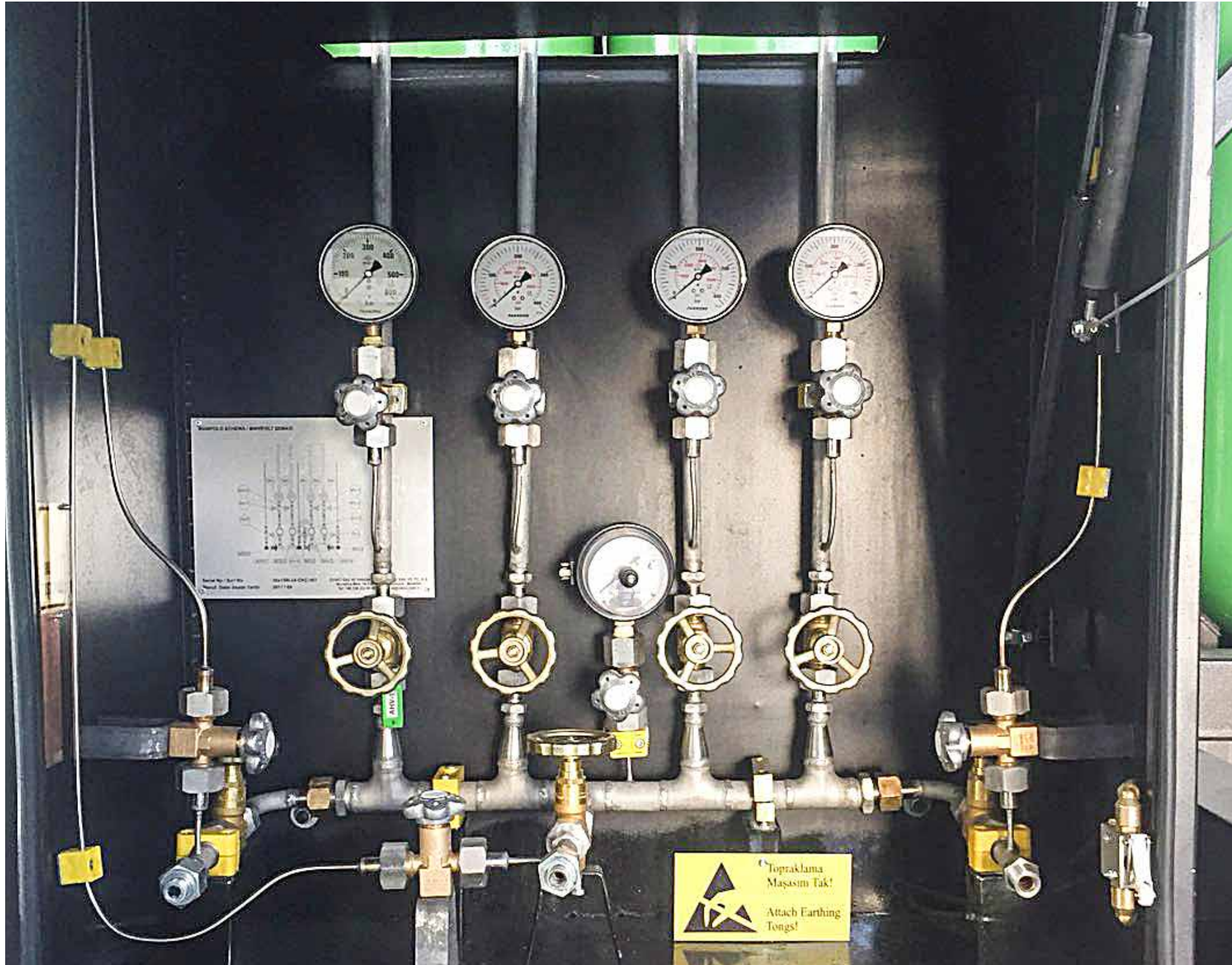
Volume	18900 L
Weight (Loaded)	22000 Kg
CNG Capacity 15C'	5650 m <sup>3</sup>
METHANE Capacity	5550 m <sup>3</sup>
Dimensions	20 FT
Height	2600 mm
Length	6000 mm
Width	2438 mm
Operating Pressure	250 BAR
Test Pressure	375 BAR
Standard	ADR / ISO 13807
TPED	YES
Pi Certificate	YES
Cylinder Material	COMPOSITE/ STEEL
Color	DUE TO DEMAND
Operating Temperature	- 20 / + 60
Valve	SAFETY VALVE WITH CERTIFICATE





# 30 FT / 5800 m<sup>3</sup> MEGC

Volume	22800 L
Weight (Loaded)	30500 Kg
CNG Capacity 15C'	5800 m <sup>3</sup>
METHANE Capacity	5650 m <sup>3</sup>
Dimensions	30 FT
Height	2600 mm
Length	9000 mm
Width	2438 mm
Operating Pressure	200 BAR
Test Pressure	300 BAR
Standard	ADR / ISO 13807
TPED	YES
Pi Certificate	YES
Cylinder Material	STEEL
Color	DUE TO DEMAND
Operating Temperature	- 20 / + 60
Valve	SAFETY VALVE WITH CERTIFICATE



# 40 FT / 7020 m<sup>3</sup> MEGC

Volume	27600 L
Weight (Loaded)	30500 Kg
CNG Capacity 15C'	7020 m <sup>3</sup>
METHANE Capacity	6840 m <sup>3</sup>
Dimensions	40 FT
Height	2600 mm
Length	9000 mm
Width	2438 mm
Operating Pressure	200 BAR
Test Pressure	300 BAR
Standard	ADR / ISO 13807
TPED	YES
Pi Certificate	YES
Cylinder Material	COMPOSITE/ STEEL
Color	DUE TO DEMAND
Operating Temperature	- 20 / + 60
Valve	SAFETY VALVE WITH CERTIFICATE



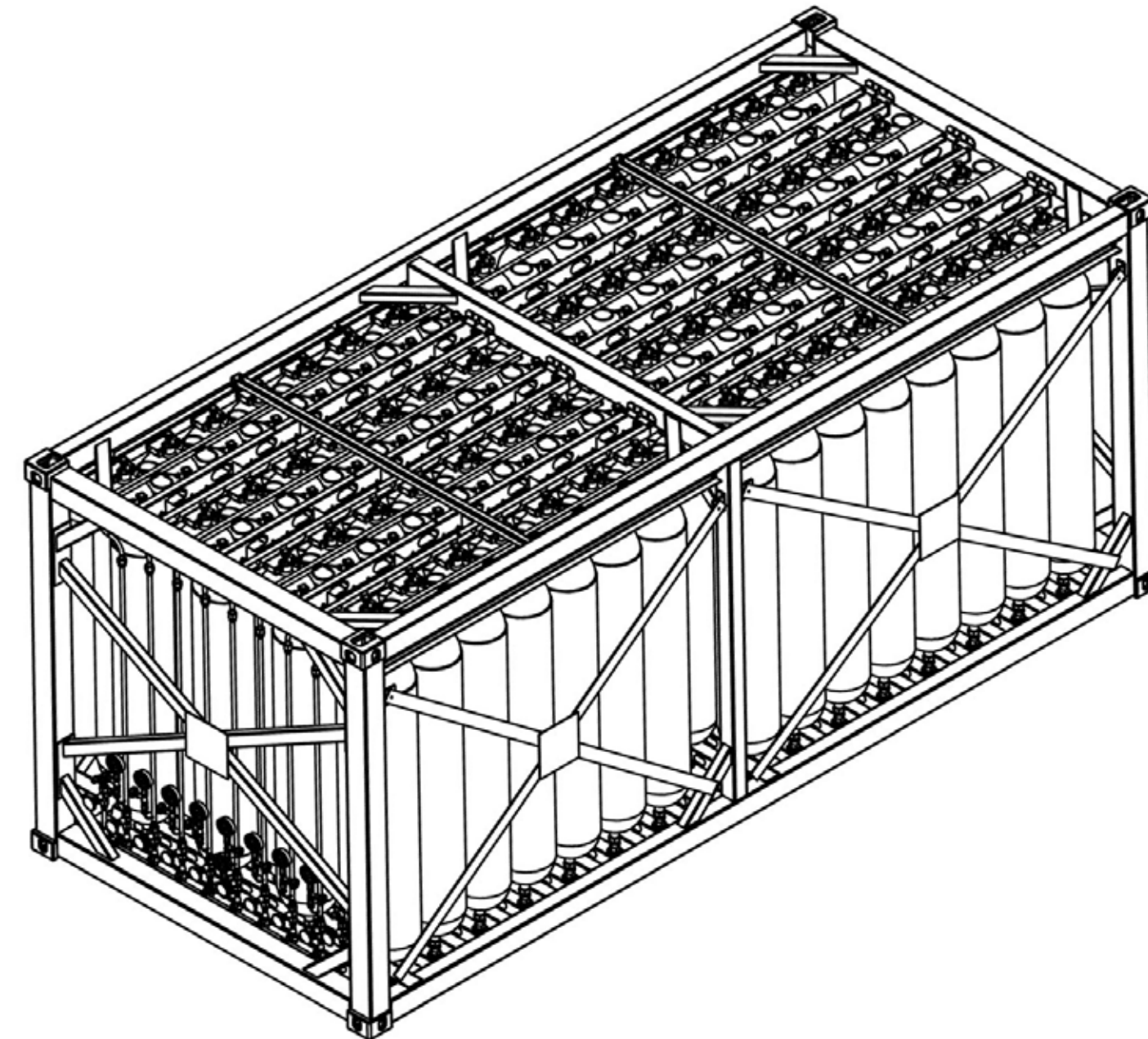
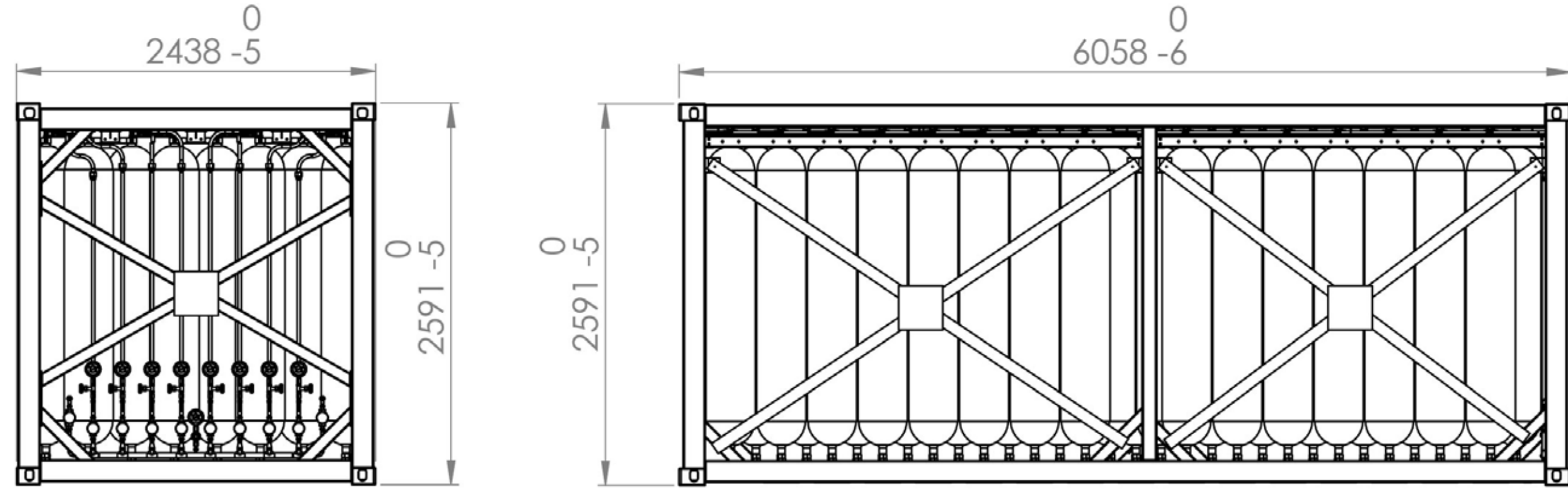
# 30 FT / 7480 m<sup>3</sup> MEGC

Volume	29400 L
Weight (Loaded)	30500 Kg
CNG Capacity 15C'	7480 m <sup>3</sup>
METHANE Capacity	7285 m <sup>3</sup>
Dimensions	30 FT
Height	2600 mm
Length	9000 mm
Width	2438 mm
Operating Pressure	200 BAR
Test Pressure	300 BAR
Standard	ADR / ISO 13807
TPED	YES
Pi Certificate	YES
Cylinder Material	COMPOSITE/ STEEL
Color	DUE TO DEMAND
Operating Temperature	- 20 / + 60
Valve	SAFETY VALVE WITH CERTIFICATE

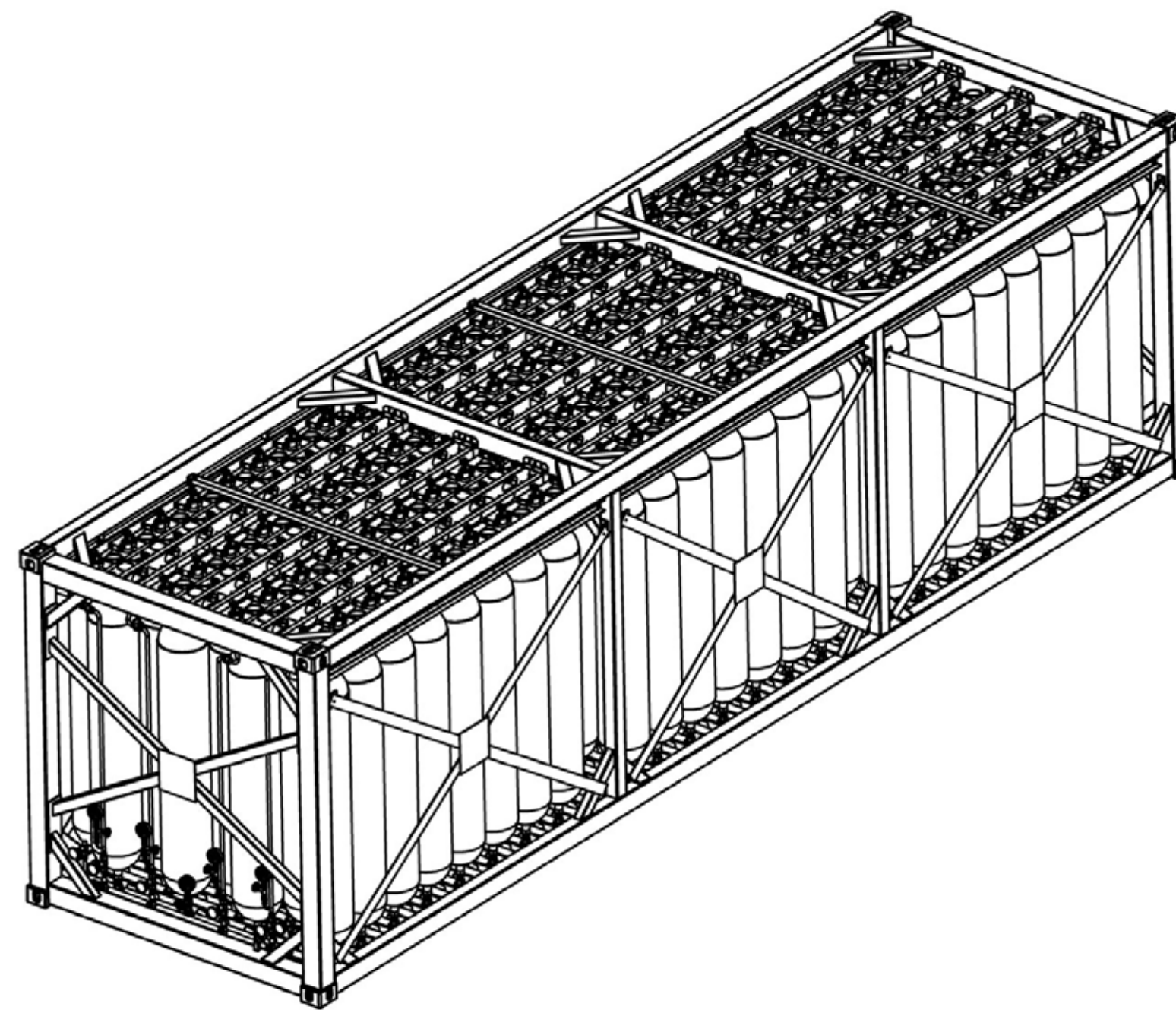
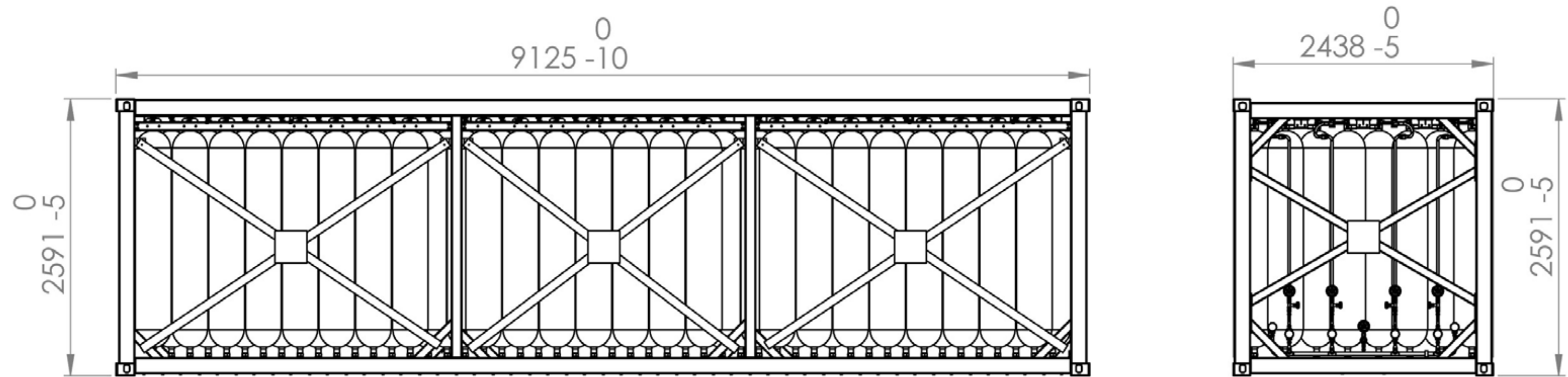
# TECHNICAL DRAWINGS



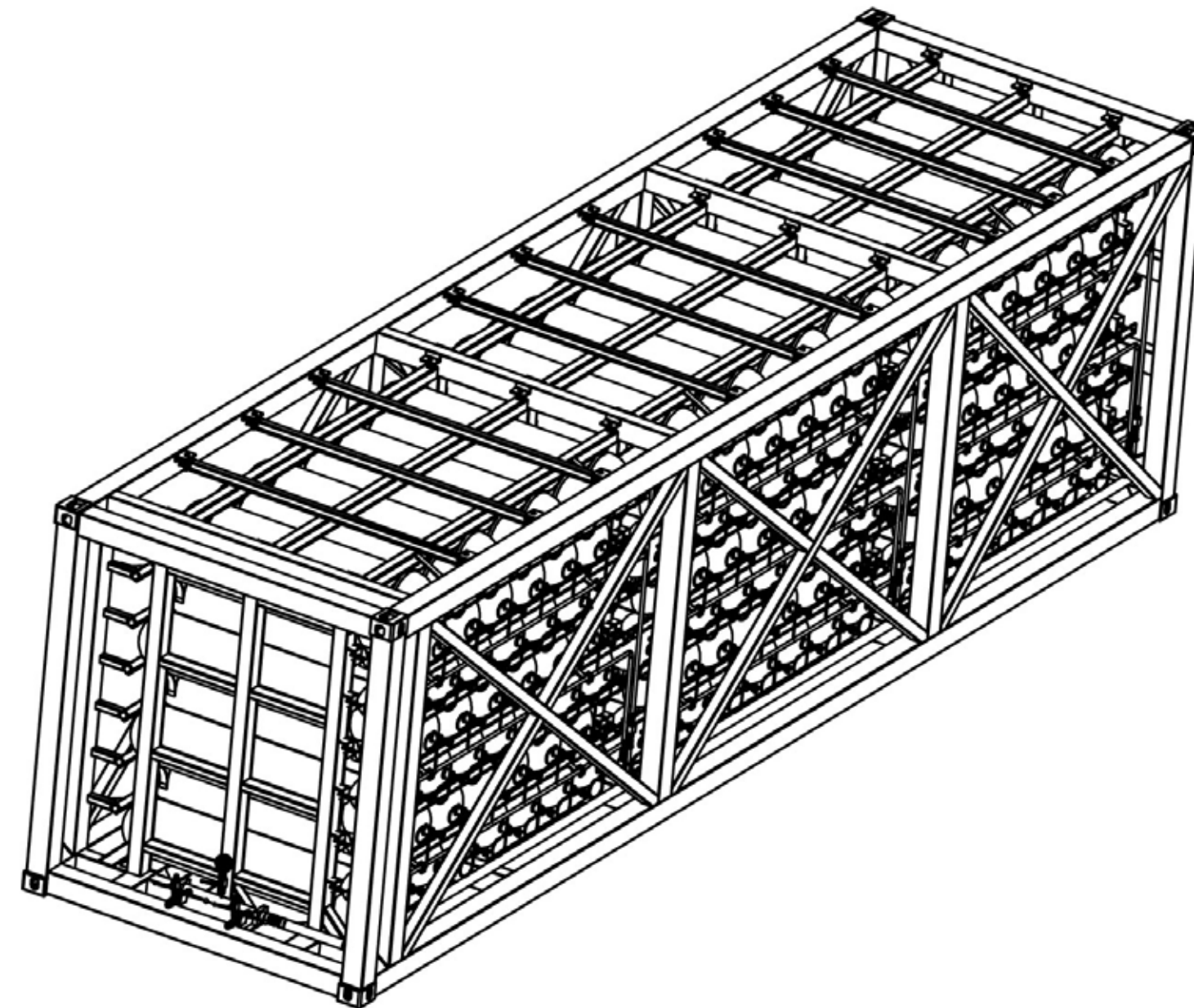
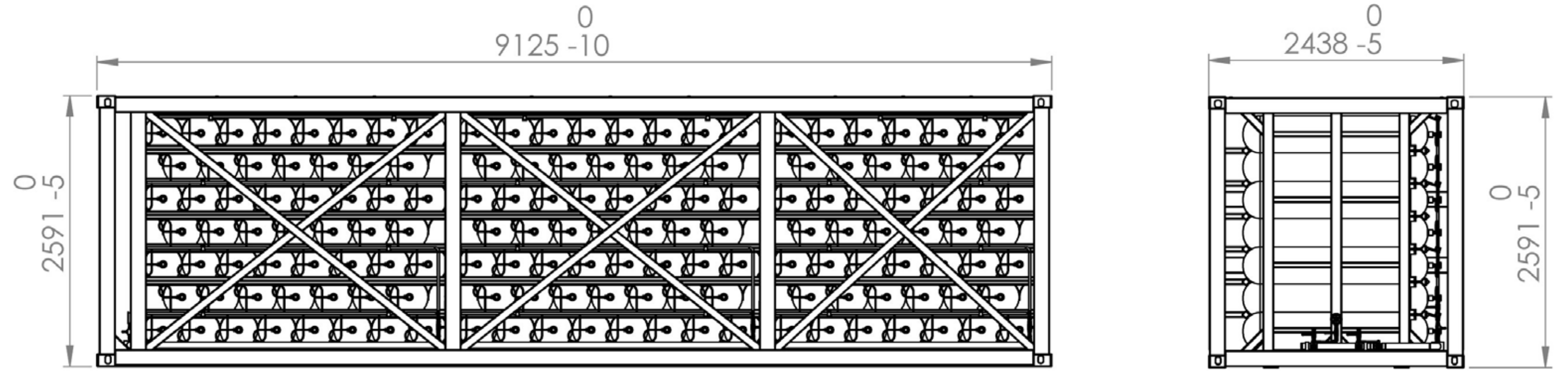
**20 Ft. MEGC  
TECHNICAL DRAWING**



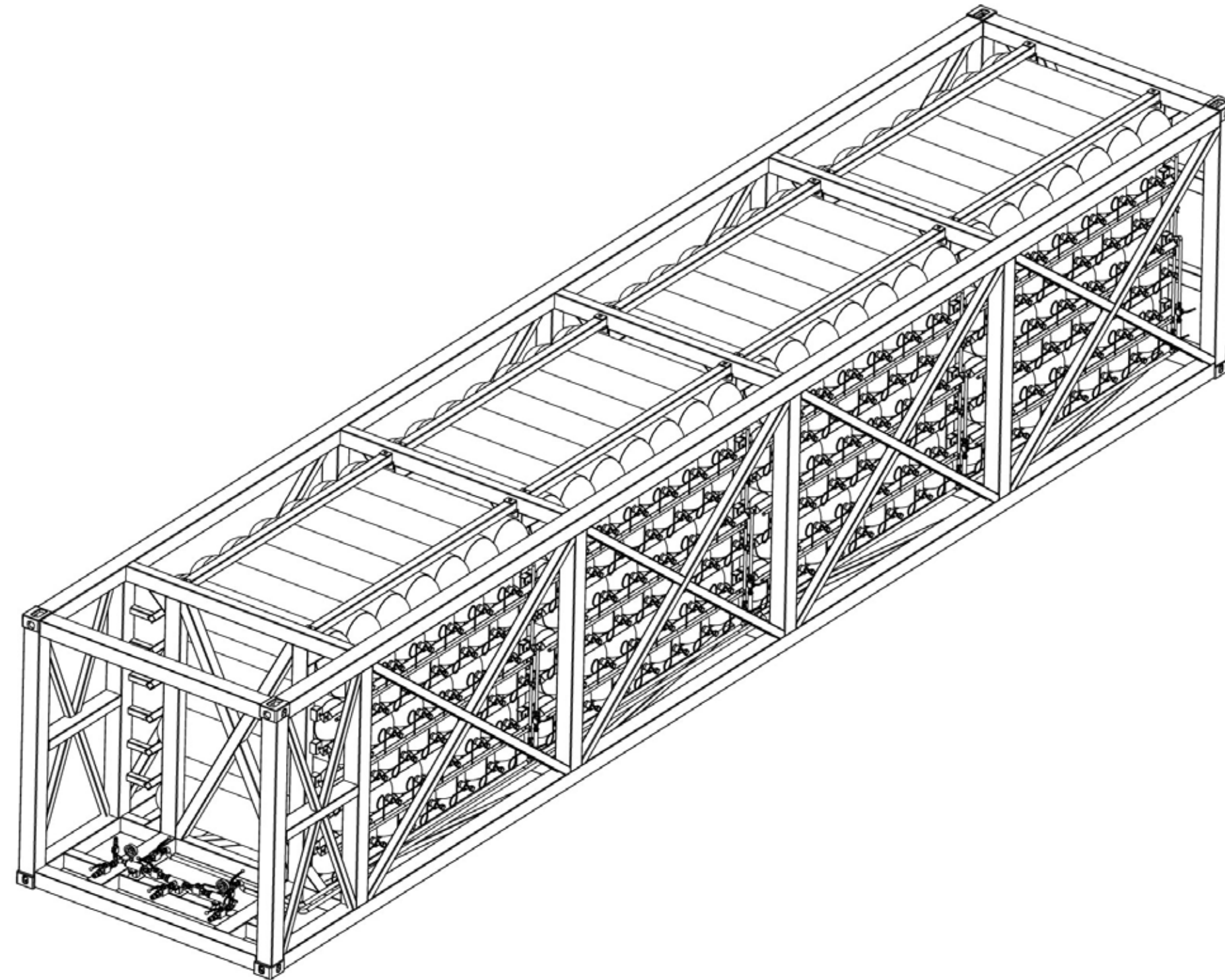
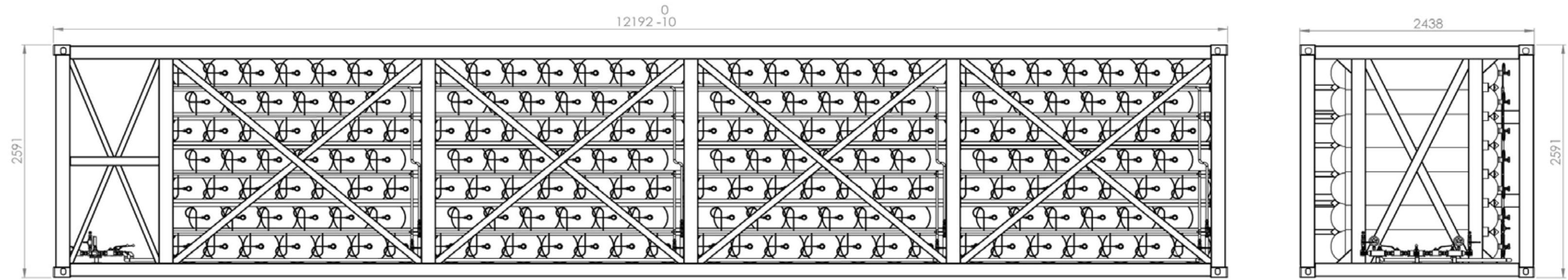
# 30 Ft. MEGC VERITICAL TECHNICAL DRAWING



# 30 Ft. MEGC HORIZONTAL TECHNICAL DRAWING

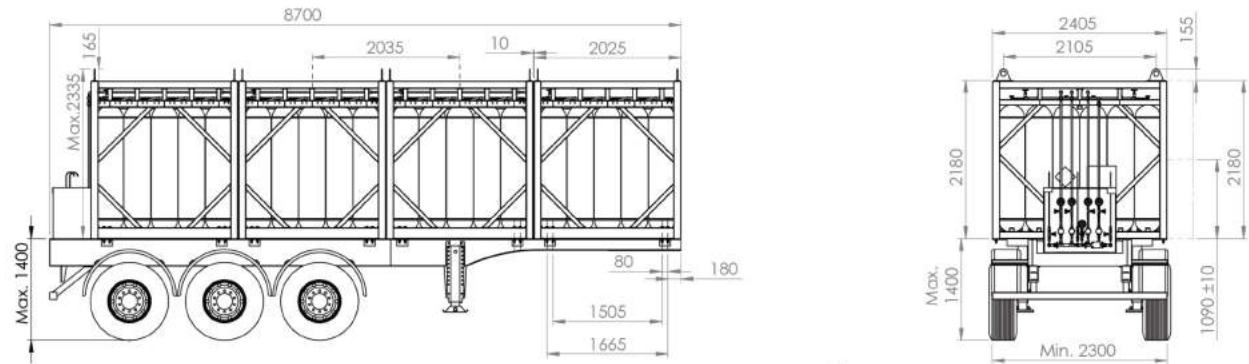


# 40 Ft. MEGC TECHNICAL DRAWING

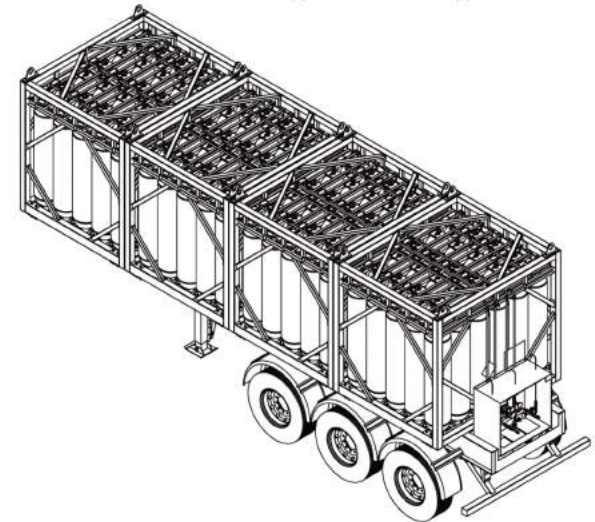




# BATTERY VEHICLE TECHNICAL DRAWING



	STEEL CYLINDER-200 Barg PW & 300 Barg PH
<b>DIMENSIONS [mm]</b>	2500x3580x8700
<b>WATER CAPACITY [L]</b>	18000
<b>CNG CAPACITY [m3]@15 °C</b>	4600
<b>MAX. GROSS WEIGHT [kg]</b>	29000
<b>OPERATING TEMPERATURE</b>	-20 /+ 65 °C
<b>FORKLIFT POCKET</b>	NO
<b>BV LIFTING LUG</b>	YES
<b>PRESSURE GAUGE</b>	YES



# ENERGY OF THE FUTURE



## Özellikler / Properties

Özellikler / Properties	CNG / CNG	
Ürün Modeli Product Model	CNG / CNG	
Hacim Volume	150 LT	150 LT
Ağırlık (Boş) Weight of Cylinder	≈120 KG	≈125 KG
Dış Çap Diameter	370 mm	370 mm
Yükseklik Height	≈180 cm	≈180 cm
Çalışma Basıncı Working Pressure	200 BAR	250 BAR
Test Basıncı Test Pressure	300 BAR	375 BAR
Standart Standard	ISO 11119-1	ISO 11119-1
TPED TPED	Var Certified	Var Certified
π (Pi) π (Pi)	Var Certified	Var Certified
Üretim Tipi Production Type	30Cr Mo	30Cr Mo
Materyal Material	Çelik Cam Elyaf Sargılı Steel Fiberglass Hoop Wrapped	
Kalınlık Thickness	5.5 mm (min)	5.5 mm (min)
Boyun Vidası Neck Bolt	W 28.8 (25E)	W 28.8 (25E)
Vana Valve	Talebe Göre Due to demand	Talebe Göre Due to demand



## Özellikler / Properties

Ürün Modeli  
Product Model

CNG / CNG

Hacim  
Volume600 LT  
(150L x 4)900 LT  
(150L x 6)1350 LT  
(150L x 9)Kapasite  
Capacity≈150 m<sup>3</sup>≈225 m<sup>3</sup>≈337.5 m<sup>3</sup>Bundle Ağırlığı (Boş)  
Weight of Bundle

≈600 KG

≈920 KG

≈1350 KG

Ölçüler  
Dimensions

84 x 84 x 210 cm

84 x 120 x 210 cm

121 x 121 x 210 cm

Çalışma Basıncı  
Working Pressure

200 BAR

200 BAR

200 BAR

Test Basıncı  
Test Pressure

300 BAR

300 BAR

300 BAR

Standart  
Standard

ISO 10961

ISO 10961

ISO 10961

Renk  
Colour

Açık Yeşil / Light Green

4 x 150 L

**200 BAR**

Large Body

6 x 150 L

**200 BAR**

Large Body

9 x 150 L

**200 BAR**

Large Body



**Tüp Demetleri / Cylinder Bundles****Özellikler / Properties**

Ürün Modeli Product Model	CNG / CNG		
Hacim Volume	600 LT (150L x 4)	900 LT (150L x 6)	1350 LT (150L x 9)
Kapasite Capacity	≈180 m <sup>3</sup>	≈272 m <sup>3</sup>	≈407 m <sup>3</sup>
Bundle Ağırlığı (Boş) Weight of Bundle	≈650 KG	≈980 KG	≈1480 KG
Ölçüler Dimensions	84 x 84 x 210 cm	84 x 120 x 210 cm	121 x 121 x 210 cm
Çalışma Basıncı Working Pressure	250 BAR	250 BAR	250 BAR
Test Basıncı Test Pressure	375 BAR	375 BAR	375 BAR
Standart Standard	ISO 10961	ISO 10961	ISO 10961
Renk Colour	Açık Yeşil / Light Green		

4 x 150 L

**250 BAR**

Large Body

6 x 150 L

**250 BAR**

Large Body

9 x 150 L

**250 BAR**

Large Body

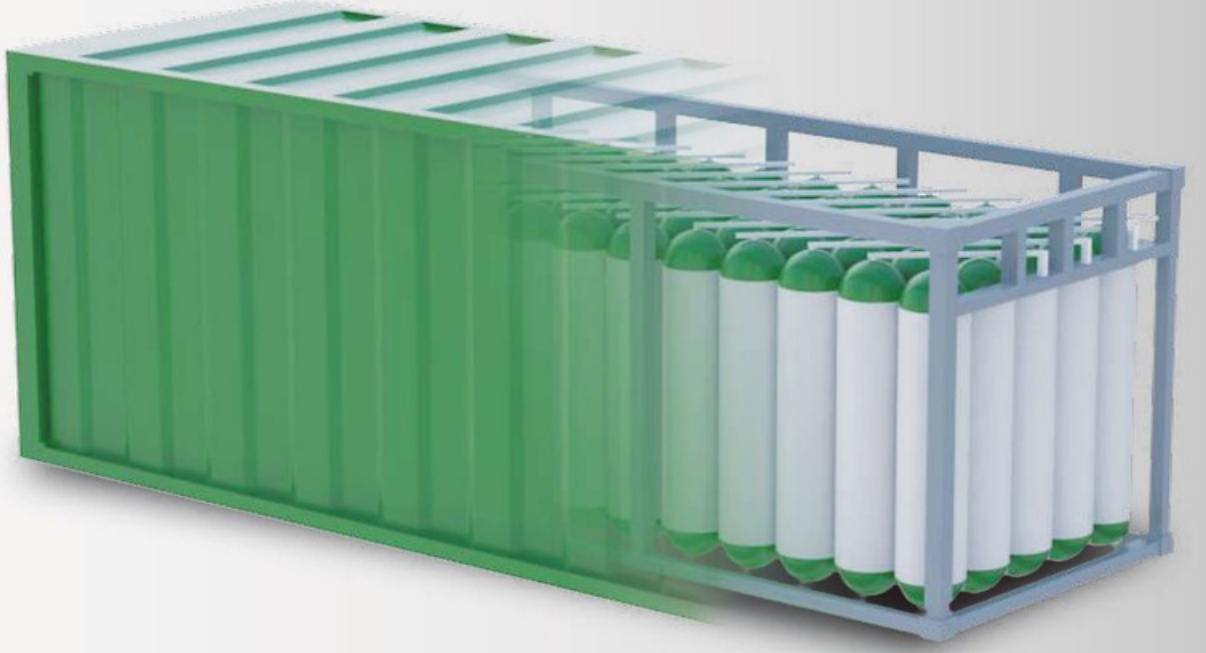


CNG / CNG

Özellikler / Properties	ARAÇ İÇİ KOMPOZİT TÜPLER COMPOSITE CYLINDERS FOR VEHICLE				
Ürün Modeli Product Model	CNG / CNG				
Hacim Volume	65 L	70 L	80 L	100 L	120 L
Ağırlık (Boş) Weight of Cylinder	≈55 KG	≈58 KG	≈64,5 KG	≈85 KG	≈90,5 KG
Çap Diameter	356 mm	356 mm	356 mm	406 mm	356 mm
Yükseklik Height	≈88,5 cm	≈93,5 cm	≈103,5 cm	≈102,5 cm	≈147,5 cm
Çalışma Basıncı Working Pressure	200 BAR	200 BAR	200 BAR	200 BAR	200 BAR
Test Basıncı Test Pressure	300 BAR	300 BAR	300 BAR	300 BAR	300 BAR
Standart Standard	ECE R110	ECER110	ECE R110	ECE R110	ECER110
Materyal Material	30Cr Mo	30Cr Mo	30Cr Mo	30Cr Mo	30Cr Mo
Kalınlık Thickness	5,5 mm	5,5 mm	5,5 mm	5,5 mm	5,5 mm
Boyun Vidası	25E/14 Diş 25E/14 Thread				

Özellikler / Properties	ARAÇ İÇİ KOMPOZİT TÜPLER COMPOSITE CYLINDERS FOR VEHICLE				
Ürün Modeli Product Model	CNG / CNG				
Hacim Volume	62 L	65 L	75 L	80 L	100 L
Ağırlık (Boş) Weight of Cylinder	≈66,5 KG	≈75,5 KG	≈80 KG	≈85 KG	≈108 KG
Çap Diameter	325 mm	356 mm	356 mm	356 mm	406 mm
Yükseklik Height	≈99,5 cm	≈87,5 cm	≈100 cm	≈105,5 cm	≈140,5 cm
Çalışma Basıncı Working Pressure	200 BAR	200 BAR	200 BAR	200 BAR	200 BAR
Test Basıncı Test Pressure	300 BAR	300 BAR	300 BAR	300 BAR	300 BAR
Standart Standard	ECE R110	ECE R110	ECE R110	ECE R110	ECER110
Materyal Material	30Cr Mo4	30Cr Mo4	30Cr Mo4	30Cr Mo4	30Cr Mo4
Kalınlık Thickness	5,5 mm	5,5 mm	5,5 mm	5,5 mm	5,5 mm
Boyun Vidası	25E/14 Diş 25E/14 Thread				





CNG / CNG	Özellikler / Properties			
	Ürün Modeli Product Model	20 FT. Container	30 FT. Container	40 FT. Container
Toplam Kapasite Total Capacity	4600 m <sup>3</sup>	6800 m <sup>3</sup>	9450 m <sup>3</sup>	
Hacim Volume	15.300 L	22.650 L	31.500 L	
Maks. Toplam Treyler Ağırlığı Max. Total Treyler Ağırlığı	20.000 KG	29.000 KG	38.600 KG	
Çalışma Basıncı Working Pressure	250 BAR	250 BAR	250 BAR	

