

SHELTER

ASSEMBLY MANUAL

No Welding Design

Model #C2020H/C2040H

6*6*2m/6*12*2m

Container Shelter with End Panel



Part List

| Part Code | Description | C2020H Quantity | C2040H Quantity |
|-----------|------------------------------------------------|-----------------|-----------------|
| L1 | Base plate for corners of female square tube | 2 | 2 |
| L2 | Base plate for corners of male square tube | 2 | 2 |
| R1 | Base plate for inner arch frame of square tube | 4 | 12 |
| 1 | Three way fitting | 2 | 2 |
| 2 | Four way fitting | 3 | 7 |
| 3 | Top bent tube | 10 | 18 |
| 4 | Sidewall bent tube | 10 | 18 |
| 5 | Top roof purlin | 4 | 8 |
| 6 | Connection purlin | 16 | 32 |
| 7 | Lower tension tube for roof cover | 2 groups | 2 groups |
| 7A | Tie down ratchet | 10 | 18 |
| 7B | Band for Tie down ratchet | 10 | 18 |
| 8 | Angle seat | 4 | 4 |
| 9 | Roof cover | 1 | 1 |
| 10 | Plastic cap for the tension tube | 4 | 4 |
| 11 | Ropes | 1 dozen | 1 dozen |
| 12 | Plastic Plug M30*50mm | 4 | 4 |
| 13 | Bolt M8x70mm | 96 | 170 |
| 14 | Butterfly bolt | 8 | 16 |
| 15 | Connector for fixing square tube | 6 | 10 |
| 16 | Bolt 10*60mm for square tube | 8 | 14 |
| 16A | Tension tube for back panel | 4 | 4 |
| 17 | Angel seat(apply to tension tube fixed) | 6 | 6 |
| 18 | Big ratchet with band | 2 | 2 |
| 19 | Iron plate | 2 | 2 |
| 20 | Bolt M10X30mm | 6 set | 6 set |
| 21 | Ropes | 20m | 20m |
| 22 | Back panel | 1 | 1 |

SPECIFICATION

Width: 6m Length: 6m Height: 2m
Width: 6m Length: 12m Height: 2m

IMPORTANT-----READ MANUALFIRST

Improper site preparation, Assembly and Maintenance may invalidate warranty and cause unnecessary and costly mistake. If you have any questions contact your local dealer.

For User Friendly assembly we have identified each individual component with the part code as indicated in the parts list. Please refer to the part code numbers and drawing to ensure problem free assembly.

It's necessary to tighten the roof fabric enough to avoid "hammocks" on the roof and also re-tighten once or twice again after a few months of use. This is important when assembly in cold weather (autumn and winter) because the fabric is stiff then and when we got the sun and warm weather afterwards it will make the fabric "slack" again and need to be re-tighten before next winter.

It's the owners responsibility to take of snow immediately if not slide off by itself.

READALL INSTRUCTIONS BEFOREASSEMBLY

1. Keep work area clean. Cluttered areas invite injuries. Do not set up near snow drifts, in slippery places, in high winds, or wet location.
2. Keep children away. All children should be kept away from the work area.
3. Don't over reach. Keep proper footing and balance at all times.
4. Do not assemble in under the influence of alcohol or drugs. Read warning labels on prescriptions to determine if your judgment or reflexes are impaired while taking drugs. If there is any doubt, do not assemble.
5. Be aware of possible windy conditions; fasten the bases in concrete if these conditions are likely to occur. Remove the cover during hurricane.
6. Be careful with power and heat sources. Do not keep heat sources near the tarpaulin. Do not expose to open flame.
7. Be aware of personal safety during assembly and use. Be careful not to pinch fingers with clips and tubes when assembling: when using makes sure there is adequate ventilation for exhaust and other dangerous fumes.

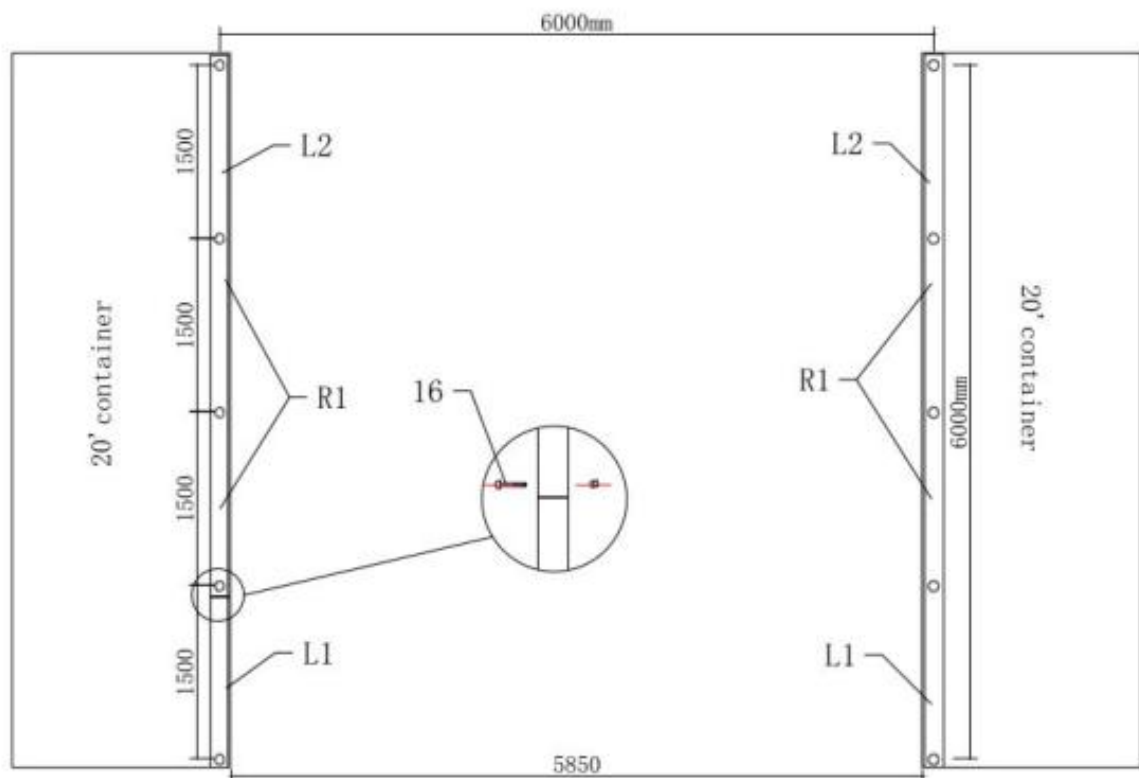
A--EQUIPMENT AND TOOLS FOR INSTALIATION

1. Measuring tape
2. String for alignment
3. Step ladder
4. Sledge hammer
5. Wrench
6. Scissors

INSTALLATION PROCESS

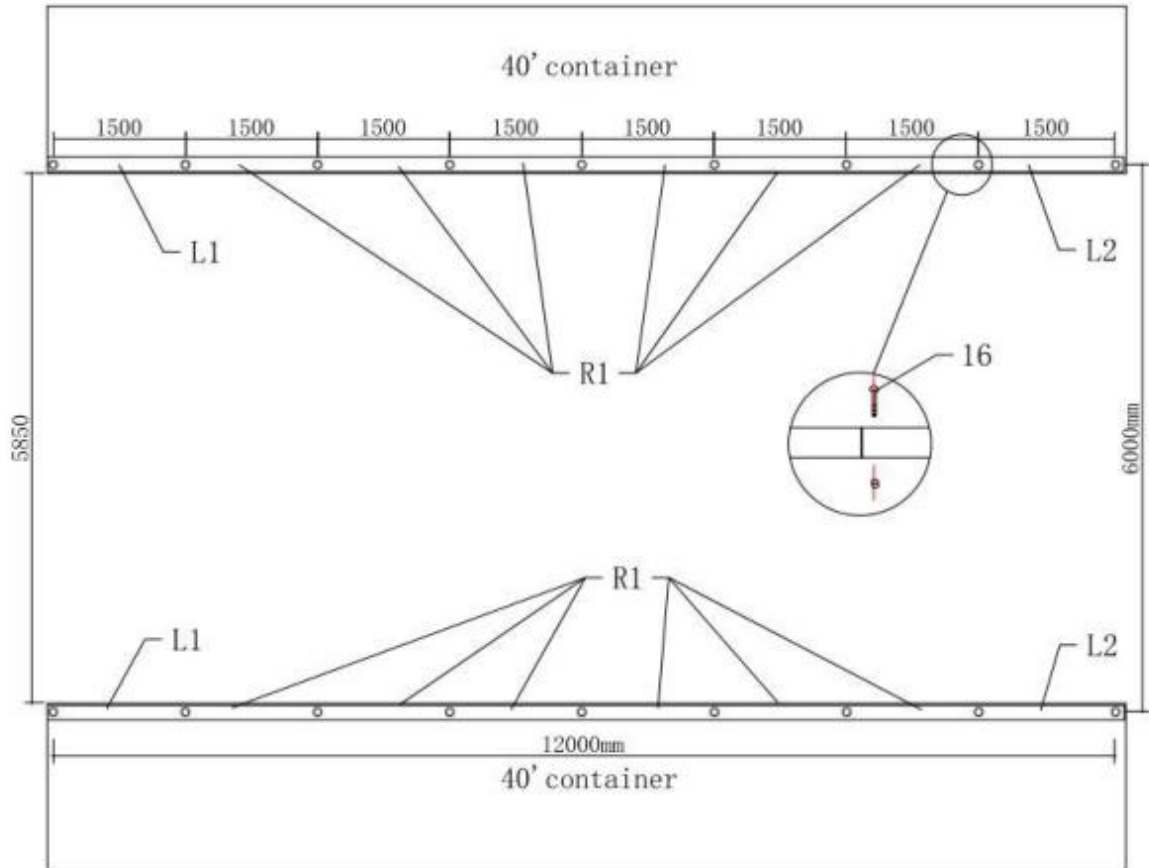
A—BASE INSTALLATION

- Please refer to the diagram (Figure 1) to place the model C2020H base plates.



C2020H The Base Plate Figure

- Please refer to the diagram (Figure 1) to place the model C2040H base plates.



C2040H Base Plate Figure

NOTE:

1. The measure is from center to center of the tubes. Referring to the above diagram and confirm the place of the base plates. ENSURE THAT THE FOUNDATIONS IS SQUARE.
2. All the base plates need use the bolts to be fixed onto the Containers.
3. Insert the Plastic Plug 30*50mm (No.12) into the ends of base rails.
4. The connector (No.15) please refer to No.A & No.B ,the Base plate for inner arch frame please refer to No.C & No.D,the Base plate for corners please refer to No.E & No.F as below:



(A)



(B)



(C)



(D)

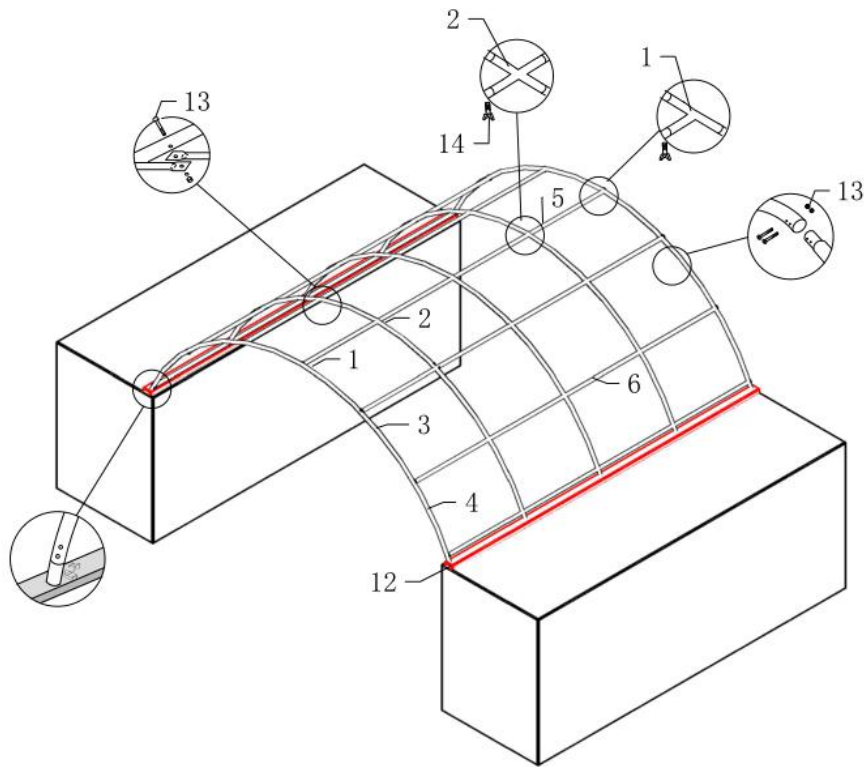


(E)

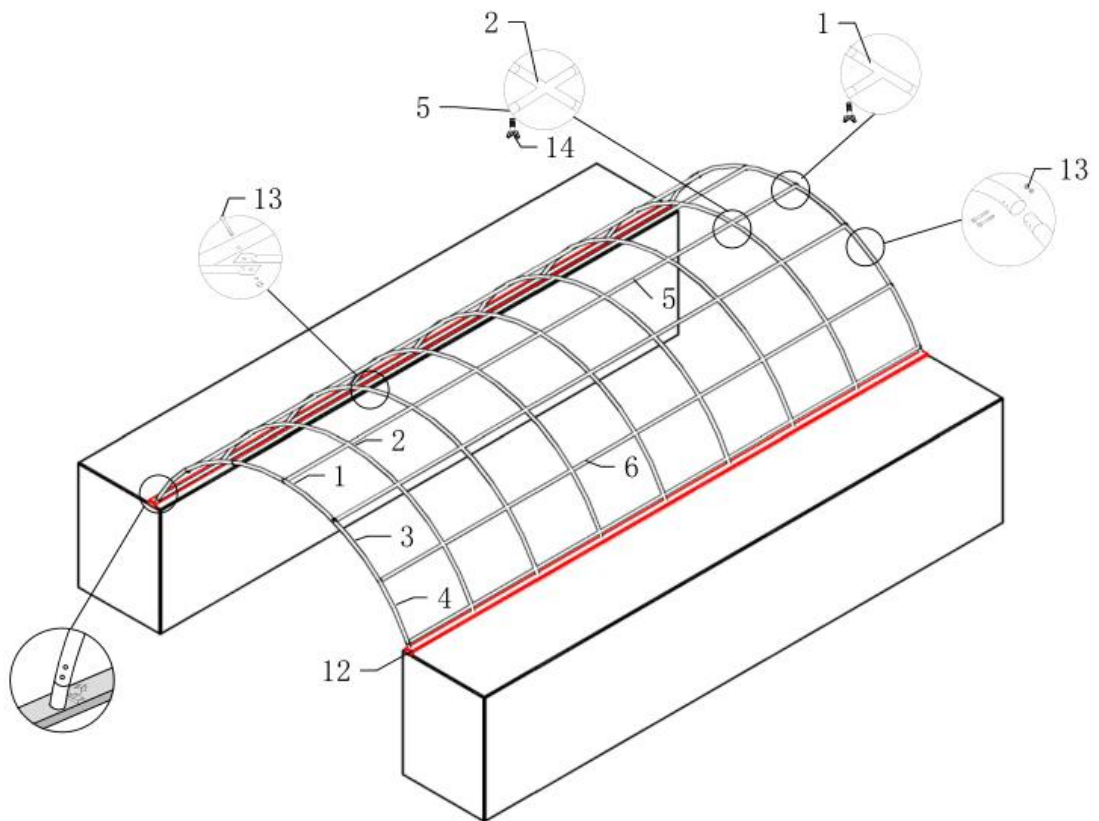


(F)

B--FRAME INSTALLATION



C2020H Frame

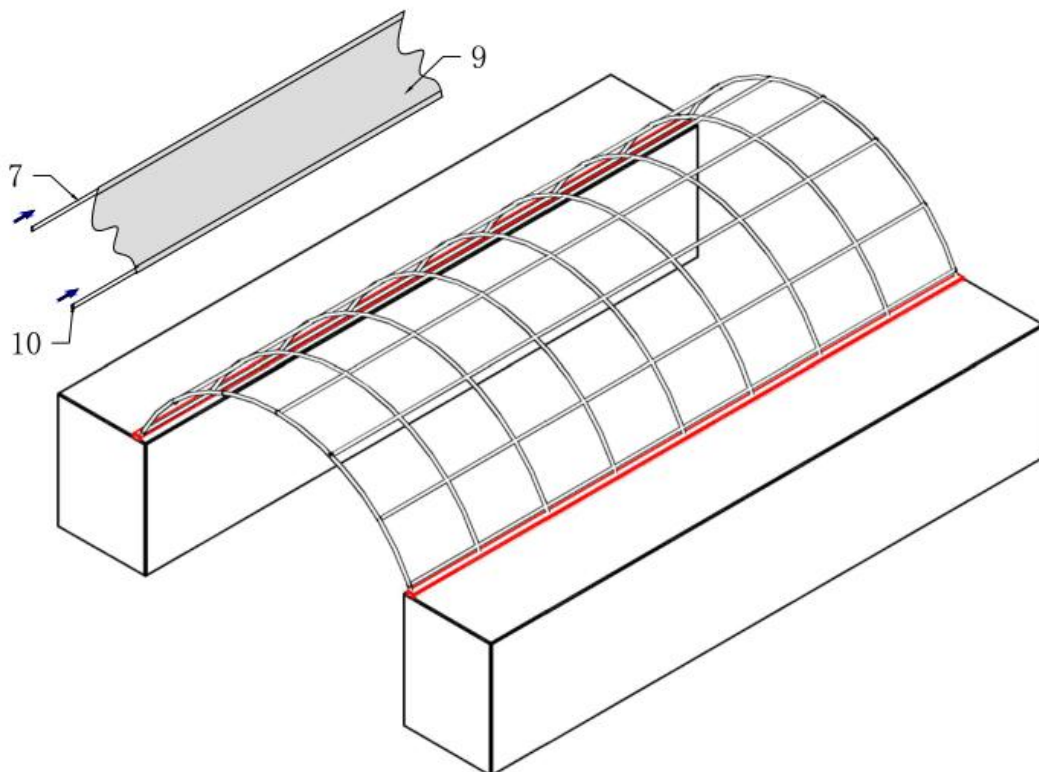


C2040H

Figure 2

1. As Figure 2 shown find Three-way fitting (part code 1), Top bent tube (part code 3) and Sidewall bent tubes (part code 4). To connect them by Screw M8x70mm (part code 13) .Which makes one group of arch. Please NOTE the direction of the screw. DO NOT install the screws on the top of the truss where the fabric will rest.
2. Life an assembled arch into one base plate and force the other end of the arch into the opposite base plate.
3. When finishing installing the first two arches, connect the Connection purlin onto them by using screw M8x70 (part code 13) .There is 4 pieces of Connection purlins (part code 6)and 1 piece of Top roof purlin (part code 5) between each arch. Then install the third arch into base plate and connect the purlins. By turns the assembly for the frame is finished.

C--INSTRUCTION FOR COVER ATTACHED



C2020H/C2040H --Figure 3

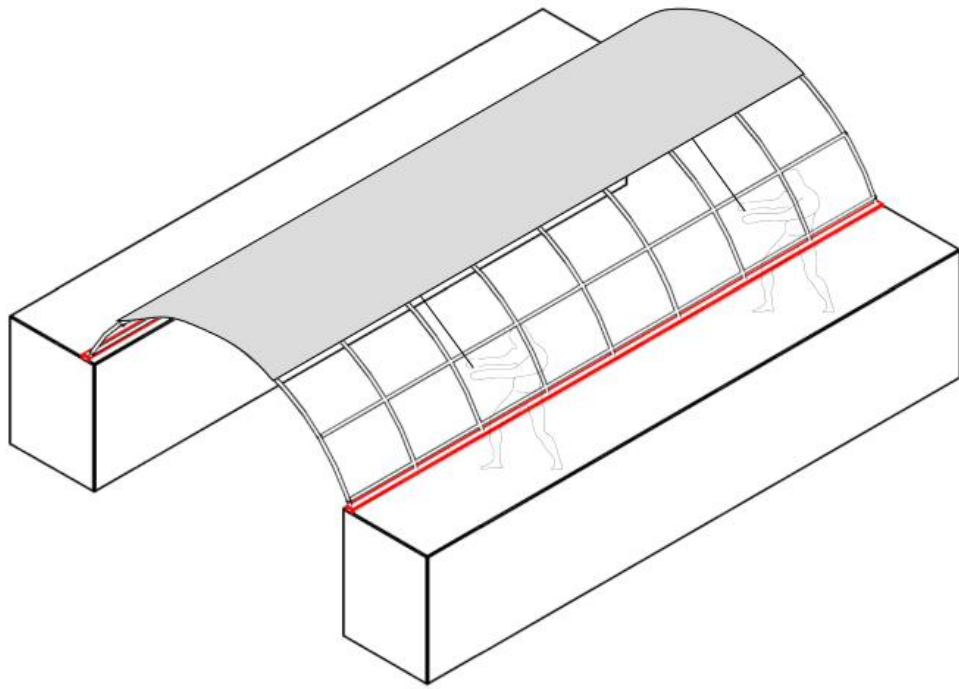


Figure 4

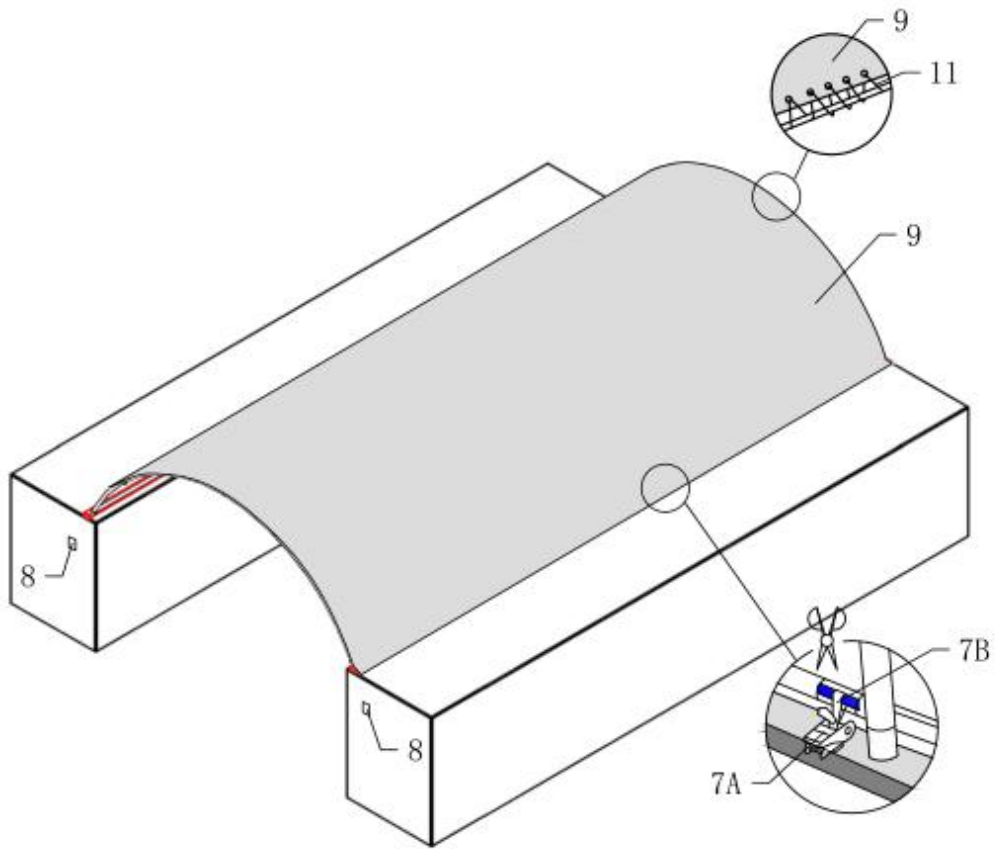


Figure 5

Install the Roof Cover

NOTE: DO NOT install the cover onto the frame of your building in high wind conditions. A slight breeze is the most advantageous for cover installation. To take advantage of the breeze, pull the cover up over the arches with the breeze blowing in the cover like a sail filled with air.

1. Put the Roof cover (part code 9) EVENLY, CARRFULLR AND SLOWLY on the frame. Adjust the cover so that it is square and evenly centered on the frame.

2. Please fix the Angle plate seats (part code 8) on each container and use Rope (part code 11)

to knit the cover on the two side arches, finally tie the Roof cover to the Angle seats.

3. Cut pockets according to the position of the base plates and put the Lower Tension tubes for roof cover (part code 7) into the pocket of roof cover. Then use the Rope (part code 11) to tie down the Lower tension tubes like the Figure

3. Finally install the ϕ 32 Plastic plug for base rail section (part code 10) into two end of the Lower tension tubes.

NOTE:

DO NOT LEAVE THE ROOF COVER UNATTACHED

UNDER ANY CIRCUMSTANCES until the final assembly and tightening has been completed.

The process is quite easy. But some tightening adjustments will be necessary to produce a flat, tension ed roof cover. Please adjust the roof cover every month.



D-Install the End Cover

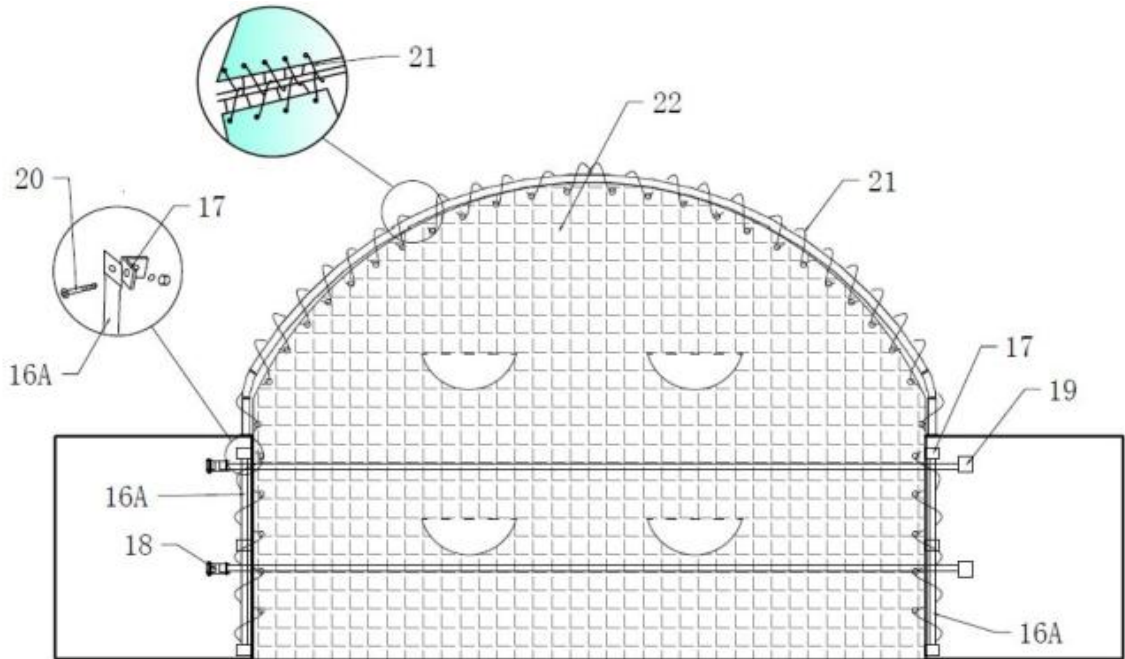


Figure 6

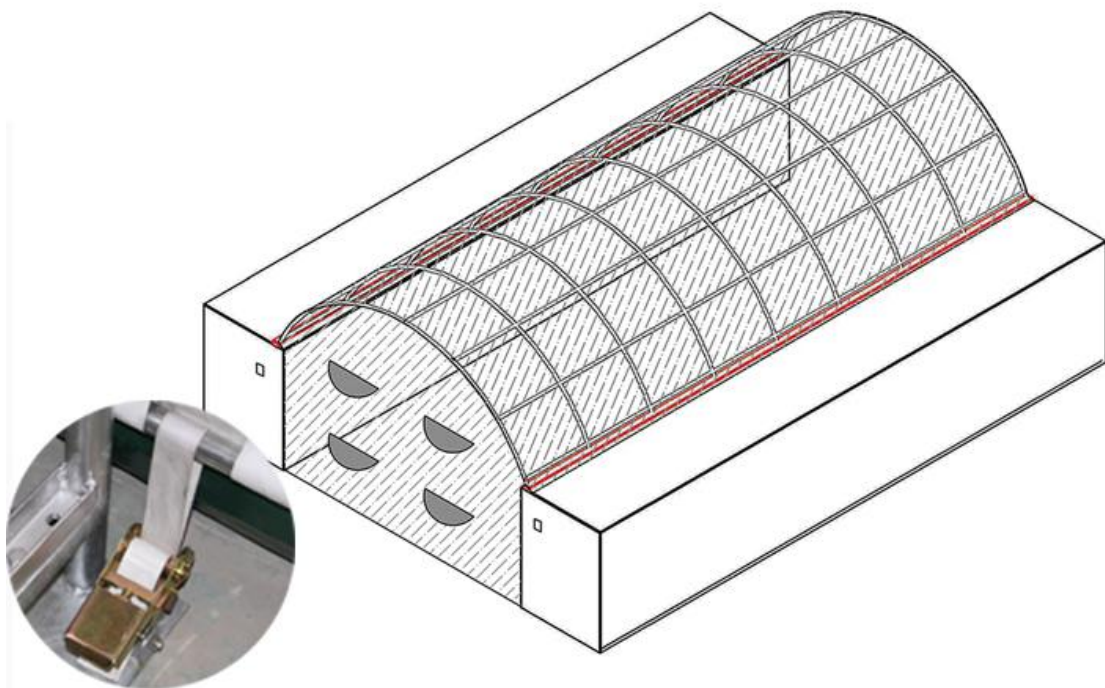


Figure 7

NOTE: DO NOT LEAVE THE ROOF COVER UNATTACHED UNDER ANY CIRCUMSTANCES until the final assembly and tightening has been completed .

The process is quite easy. But some tightening adjustments will be necessary to produce a flat, tensioned roof cover. Please adjust the roof cover every month.