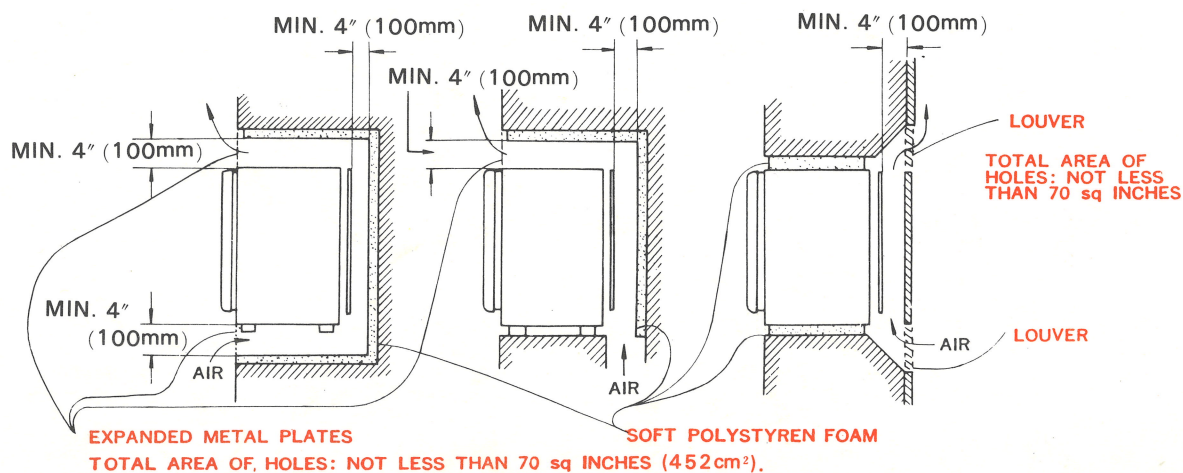


CAUTIONS

1. VENTILATION IS IMPORTANT.

If proper ventilation is given to the condenser, better operating performance can be expected from your refrigerator, with less power consumption, thereby giving longer battery life.

The figures below show the minimum requirements for ventilation when installed.

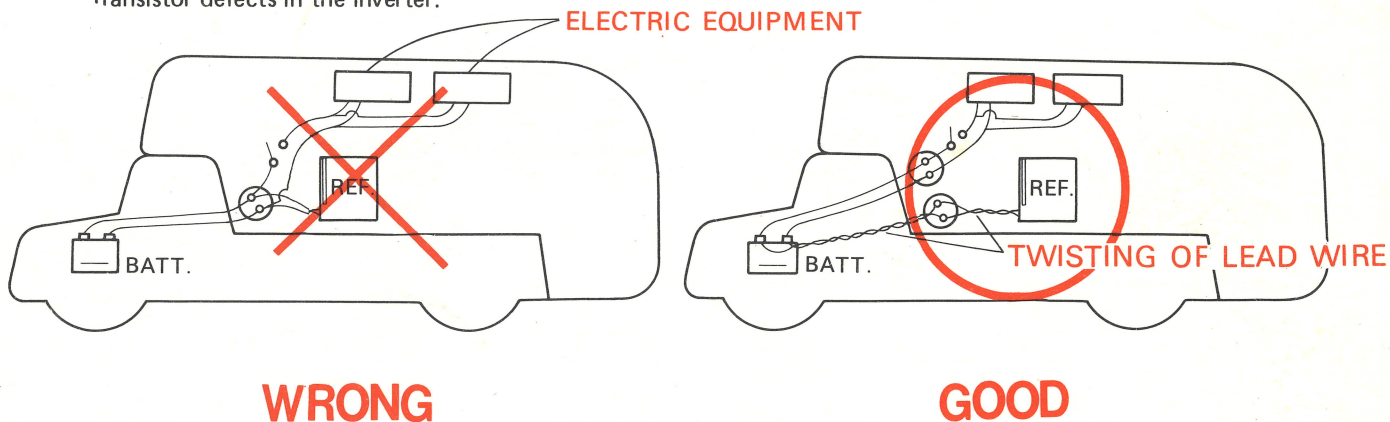


If expanded metal plates are used at the front side, and louvers applied to the rear, the total hole area should be a minimum of 70 square inches (452cm²).

Soft polystyrene foam with the minimum thickness of one (1) inch (25mm) is very effective in reducing noise.

2. CONNECT REFRIGERATOR DIRECTLY TO BATTERY.

Any switches and leadwires for other electrical equipment should not be common with wiring between Refrigerator and Battery, because this equipment sometimes generates high voltage pulses and cause transistor defects in the inverter.



3. NEVER USE WIRING LESS THAN AWG #12 IN CIRCUIT.!

4. TWISTING OF LEAD WIRE IS RECOMMENDED.

Because this method reduces the induction of high surge voltage from the outside.

5. BE SURE THE POLARITY IS CORRECT.

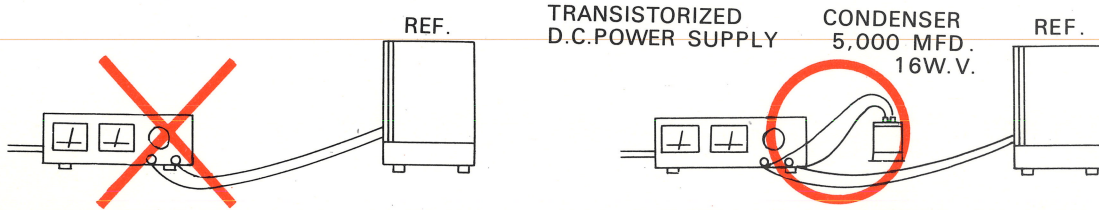
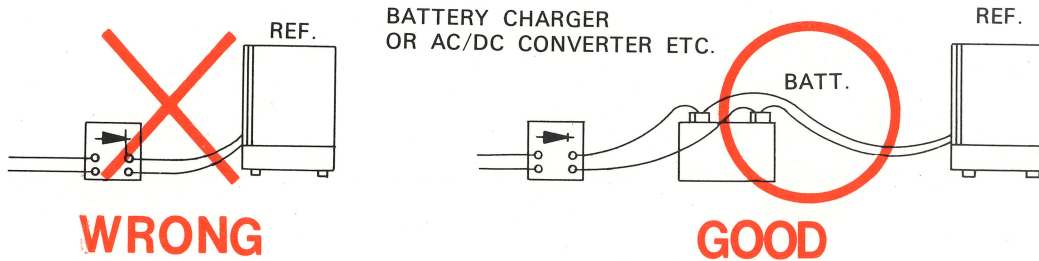
If the polarity is reversed, the fuse may burn out and unit will not operate. Check the wiring in referring polarity indication on the terminals of your refrigerator prior to running. (If the fuse is burned out, replace new 10A fuse).

6. NEVER EMPLOY QUICK-CHARGER UNLESS THE REFRIGERATOR CIRCUIT IS DISCONNECTED.

Sometimes Charging Voltage exceeds 15.5V. It is very dangerous for the Transistor in the inverter.

7. NEVER USE BATTERY CHARGER, AC/DC CONVERTER OR RECTIFIER ETC. IN LIEU OF BATTERY.

These electrical equipments sometimes generate high ripples or surge voltage which cause inverter trouble. Connect your battery, between the refrigerator and these equipments in parallel.

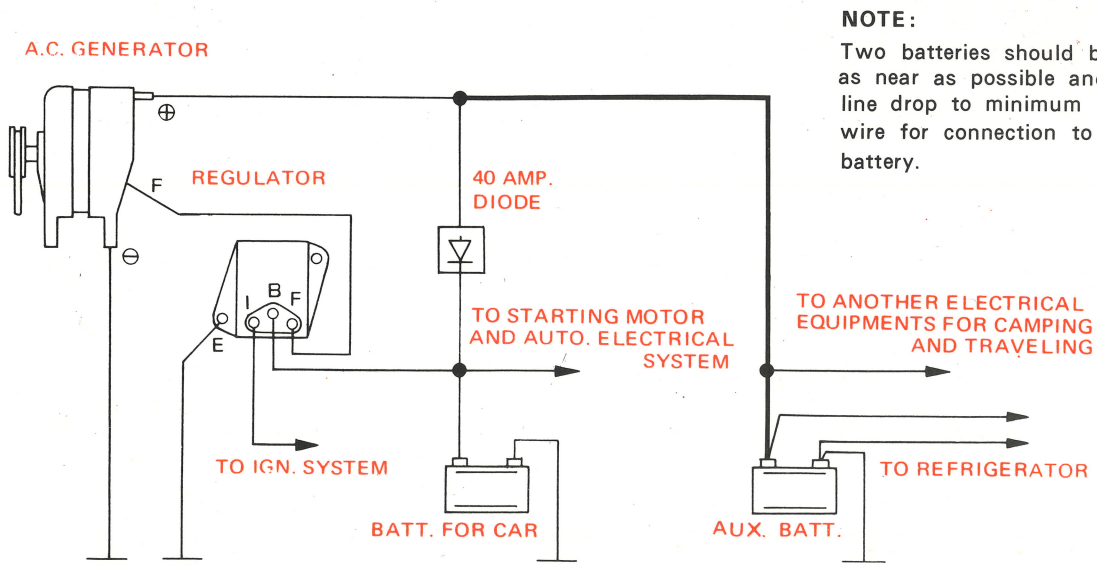


Special care should be taken when a Transistorized Voltage Regulator is used. A 5,000 MFD condenser should be connected to the terminals of power source in parallel because these regulators sometimes generates abnormal high voltage by reaction.

NOTE: Never use a commercial inverter or converter for operating your refrigerator on AC, since these devices do not hold the required constant frequency.

8. FOR YOUR REFERENCE

The Wiring Diagrams shown below is recommendable to keep your car battery always in a good condition.



NOTE:
Two batteries should be placed as near as possible and prevent line drop to minimum use thick wire for connection to auxiliary battery.