



VSB

OUTDOOR VACUUM CIRCUIT BREAKER

The VSB outdoor circuit breaker designed for and build in North America delivers reliable and safe performances.

STANDARD FEATURES

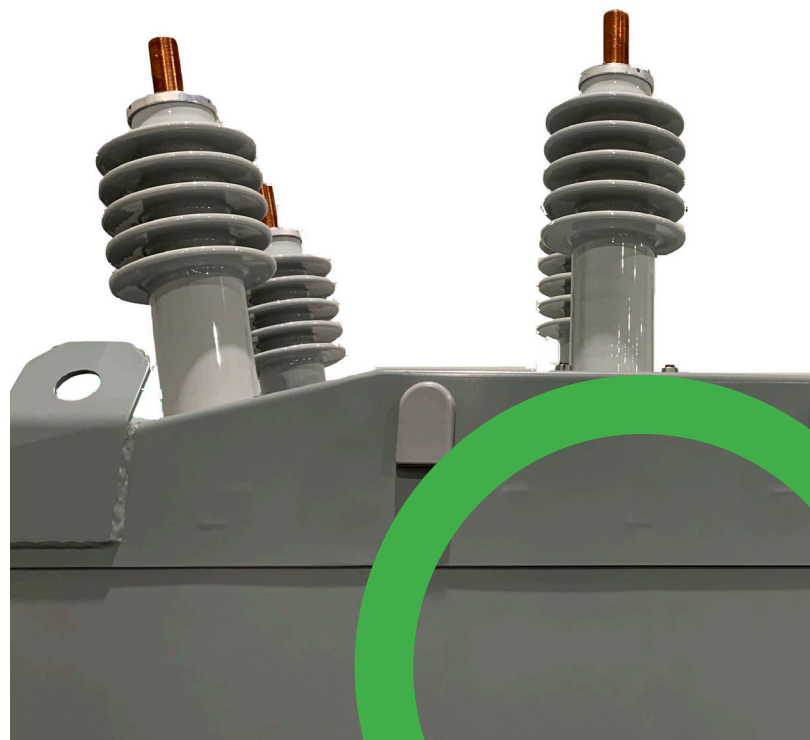
- Trip and close coil
- Visual circuit breaker status window
- Operation counter
- Mechanical position indicator
- External manual trip handle
- Fused knife-switched control voltage disconnects
- Porcelain dry-type roof bushings
- NEMA 3R Bolted-welded cabinet construction
- Permanent lifting eyes (4)
- Adjustable galvanized legs (4)
- Corrosion resistant power paint finish (ANSI-61 light grey)
- Cabinet heaters to prevent condensation
- Additional heaters for -50°C
- Ventilation filters
- Arc proof (IEEE C37.20.7 Type 2B)

OPTIONS

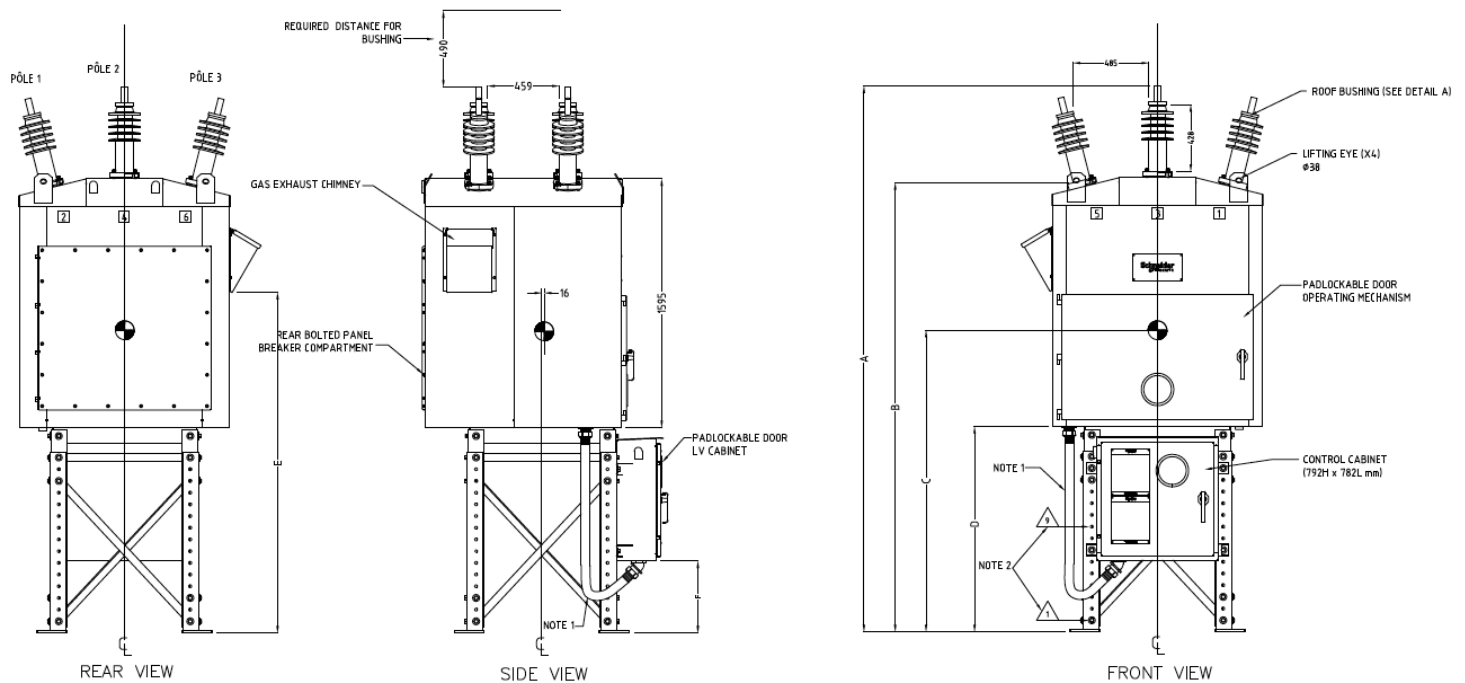
- Terminal connectors for bushings
- Special Current transformers class
- Second trip coil
- Undervoltage trip device
- Seismic capability (IEEE 693 high level)
- Polymer bushings

Distribution circuit breakers are essential components of medium-voltage outdoor distribution grid. Especially designed for the toughest climatic conditions, easy operation and enhanced personnel safety, the VSB family can be easily customized to suit the specific needs of network modernisation and of future-oriented smart grids.

The core of the VSB system is based on the HVX breaker family from Schneider Electric. Its proven reliability as well as long electrical life and mechanical robustness minimize operation cost of medium-voltage grids.



DIMENSIONS



Technical characteristics

| | | |
|---|------------|------------------------------|
| Nominal Current | A | 1200 / 2000 / 2500 |
| Rated maximum voltage | kVrms | 15 / 29.8 |
| Power frequency withstand voltage | kVrms | 50 / 60 |
| Lightning Impulse level | kVp | 150 |
| Short-circuit interrupting current (sym.) | kA | 12.5 / 25 / 31.5 |
| DC component (asymmetry) | ms | 45 / 75 |
| Short-circuit time withstand current (1s) | kA | 25 / 31.5 |
| Standard operating duty | | O-15s-CO-3min-CO |
| Maximum interrupting time | | 3.5 cycles |
| Control voltage | Vdc Vac | 24, 48, 125, 250 120, 240 |

Environment

| | | |
|-----------------------------|--------|---------------|
| Operating temperature range | °C | - 50 to + 40 |
| Relative humidity | % | 0 - 100 |
| Altitude | ft / m | 3,280 / 1,000 |
| Seismic withstand | g | 0.5 / 1 |

| POS | AJUSTABLE SUPPORT | | | | | |
|-----|-------------------|------|------|------|------|-----|
| | A | B | C | D | E | F |
| 1 | 3500 | 2879 | 1933 | 1316 | 2182 | 460 |
| 2 | 3575 | 2954 | 2008 | 1391 | 2257 | 535 |
| 3 | 3650 | 3029 | 2083 | 1466 | 2332 | 610 |
| 4 | 3725 | 3104 | 2158 | 1541 | 2407 | 685 |
| 5 | 3800 | 3179 | 2233 | 1616 | 2482 | 760 |
| 6 | 3875 | 3254 | 2308 | 1691 | 2557 | 760 |
| 7 | 3950 | 3329 | 2383 | 1766 | 2632 | 760 |
| 8 | 4025 | 2404 | 2458 | 1841 | 2707 | 760 |
| 9 | 4100 | 3479 | 2533 | 1916 | 2782 | 760 |