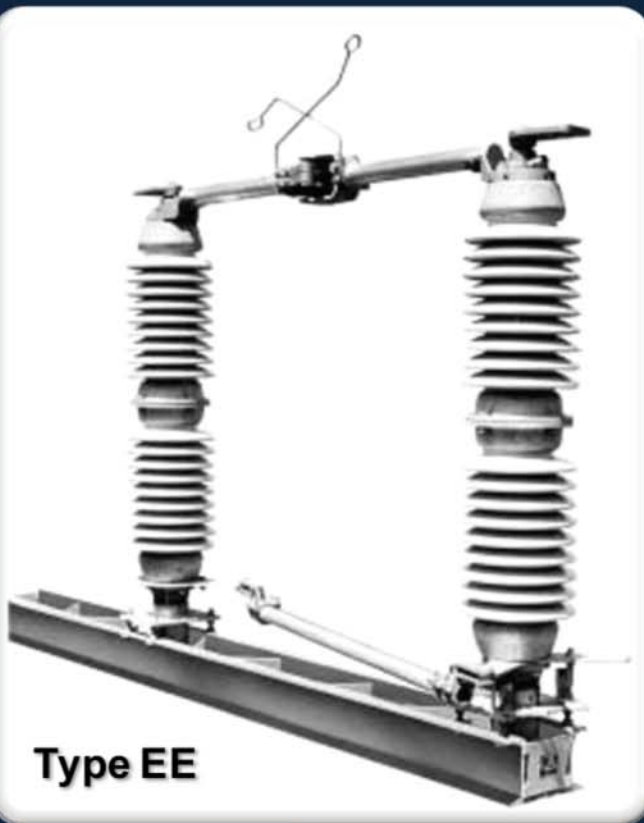


CENTER BREAK SWITCHES EE AND EEB

The EE family of center side break switches utilizes two rotating insulators (per pole) with sealed, maintenance free hinge contacts. Center contacts are reverse loop design and are available in silver to silver or silver to copper when specified.

The EE is available in ratings up to 362 kV, 3000 amps. The EEB is an all copper center break switch with ratings up to 72.5 kV and 1200 amps.



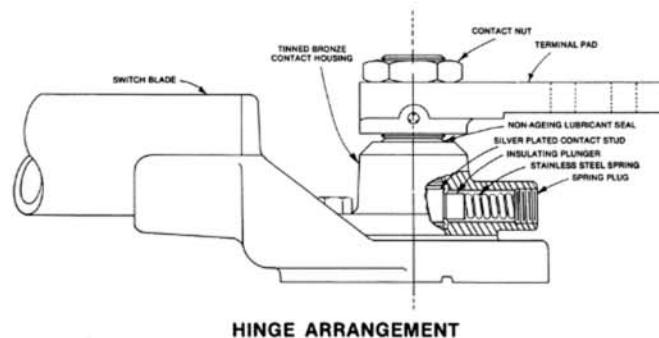
2000A
Jaw –
Partially
Open



2000A
Jaw –
Closed
Position



1200A
Jaw –
Partially
Open



	Standard - EE	Premium - EEB
Primary Material	Aluminum	Copper
Current Range	1200A – 3000A	600A - 1200A
Voltage Range (nom)	7.5kV– 345kV	7.5kV– 69kV

See Table of Ratings for Complete Details