

# SmartH Camera

7-inch 5MP 30x IR PTZ Network Camera



## Key Features

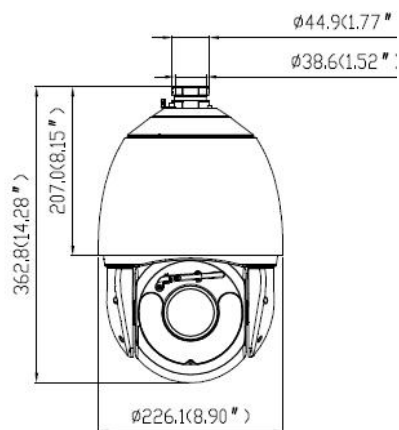
- 1/2.8" progressive scan CMOS
- 30x optical zoom, 16x digital zoom
- 5MP(2592×1944) @ 25/30fps
- Support face, human and vehicle detection and capture
- Support smoke and fire detection as well as smart motion detection
- Auto tracking and perimeter protection based on deep learning
- Intelligent analysis: intrusion, single line crossing, double line crossing, loitering, wrong way, illegal parking and people counting
- True WDR, 3D DNR, ICR, Defog, Anti-shake
- Smart IR distance up to 200 m
- IP66

# Specification

Camera	
Image Sensor	1/2.8" Progressive Scan CMOS
Max. Resolution	2592(H)×1944(V)
Electronic Shutter	Auto/Manual, 1/5~ 1/20,000s
Min. illumination	Color: 0.07 Lux @ (F1.6, AGC ON) B/W: 0.007 Lux @ (F1.6, AGC ON), 0 Lux with IR
Day & Night	IR cut filter
IR Distance	Smart IR, Up to 200 m (656.2 ft)
IR On/Off Control	Auto/Manual
Wiper	Support
Lens	
Focal Length	5.3 ~ 159mm
Max. Aperture	F1.6 ~ F4.3
Angle of View	H: 56.6° ~ 2.48°, V: 42.7° ~ 1.91°
Optical Zoom	30x
Digital Zoom	16x
Focus Control	Auto/Manual/Semi-automatic
PTZ	
Pan/Tilt Range	Pan: 0° ~ 360° endless, Tilt: -10° ~ +90°
Pan Speed	Pan speed: 0.1° to 300°/s, preset speed: 300°/s
Tilt Speed	Tilt speed: 0.1° to 90°/s, preset speed: 300°/s
Presets	400
PTZ Mode	6 Track, 12 Scan, 12 Patrol (up to 32 presets per patrol)
Power-Off Memory	Support
3D Positioning	Support
PTZ Status Display	Support
Idle Motion	The time can be set (1-240 minutes), and functions such as preset positions, patrols, scans, and tracks can be run.
Video	
Streaming Capability	3 Streams
Stream/Frame Rate	Stream1: 2592×1944, 2560×1520, 1920×1080, 1280×720 @ 25/30fps Stream2: D1, VGA, CIF @ 25/30fps Stream3: VGA, CIF, QVGA @ 25/30fps
Bit Rate Control	CBR/VBR
Bit Rate	Stream1: 200kbps~12Mbps Stream2: 100kbps~6Mbps Stream3: 100kbps~3Mbps
Smart Encoder	Support
Region of Interest (ROI)	Support
Image	
Image Adjustment	Brightness/Sharpness/Contrast/Saturation adjustable
Mirror	Support
White Balance	Auto/Manual
Day/Night Setting	Auto, Day, Night, Time
Smart IR	Support

Noise Reduction	2D/3D DNR
Image Enhancement	HLC, BLC, Defog, Anti-shake
Wide Dynamic Range	True WDR
S/N Ratio	50dB
Motion Detection	Support
Privacy Masking	Support 40 zones, mask color configurable
Audio	
Compression	G.711 (8kbps), RAW_PCM (16kbps)
Smart Function	
Multi-Object Detection	Support face, human, vehicle detection and capture
Intelligent Analysis	Intrusion, Single line crossing, Double line crossing, Loitering, Wrong way, Illegal parking (Supports accurate detection of humans and vehicles)
Smoke and Fire Detection	Support
People Counting	Support
Smart Motion Detection	Support
Smart Tracking	Support
Network	
Protocols	IPv4, IPv6, TCP / IP, HTTP, HTTPS, RTSP / RTP / RTCP, IGMP / Multicast, SMTP, DHCP, NTP, DNS, DDNS,, QoS, SNMP, 802.1X, UDP, ICMP, ARP, TLS
Interoperability	ONVIF, SDK, CGI
Streaming Method	Unicast
Max. User Access	10 Users
Web Viewer	<IE11, Chrome, Firefox, Microsoft Edge
Language	English, Chinese, Polish, Italian, Portuguese, Spanish, Russian, French, Czech, Hungarian. Default: English
Interface	
Network Interface	1 Ethernet (10/100 Base-T) RJ-45 Connector
Audio Interface	1ch Input, 1ch Output
Alarm Interface	7ch Input, 2ch Output
RS485 Interface	Support
CVBS Output	Support
SD Card Slot	Built-in, up to 256GB
Electrical	
Power Supply	AC24V/DC36V/POE++ (IEEE 802.3bt) Standard Equipped: DC36V
Power Consumption	Less than 45 W
Operating Temperature	-40°C ~ 60°C (-40°F ~ 140 °F)
Operating Humidity	Less than 90% RH
Ingress Protection	IP66, TVS4000V
Certifications	CE/FCC
Casing	Metal
Dimensions	φ 226 × 362.8mm (φ 8.9 × 14.28 inch)
Net Weight	5.5. kg (12.13 lb)

## Dimensions (mm)



## Accessories

### Optional:



SN-BK349  
Wall Bracket



SN-BK348  
Ceiling Bracket



SN-BK605  
Corner Mount



SN-BK604B  
Pole Mount



SN-BK367  
Junction Box



SN-BK355  
Wall Bracket



SN-BK358  
Corner Mount



SN-BK359  
Pole Mount