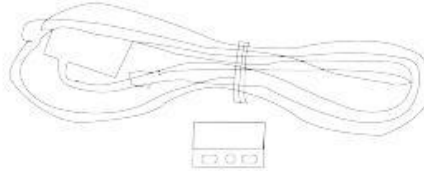
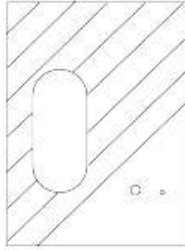




Wi-Fi SMART GARAGE DOOR OPENER



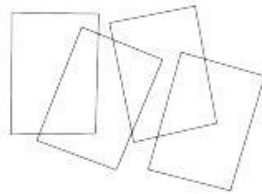
Door Sensor



2.0 2P Wire



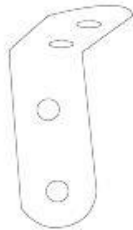
Micro USB Cable



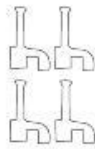
3M Gums



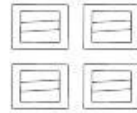
Ties



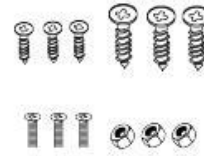
Bracket



Wall Nails



Line Holders

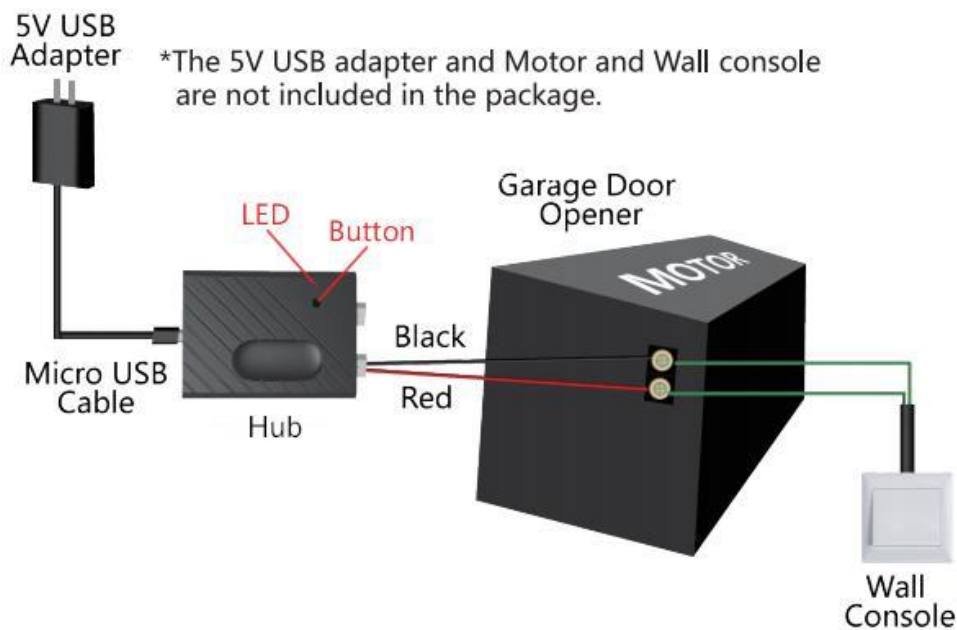


Screws

* The 5V USB adapter is not included in the package.

⚠️ Test Device For Opener Compatibility

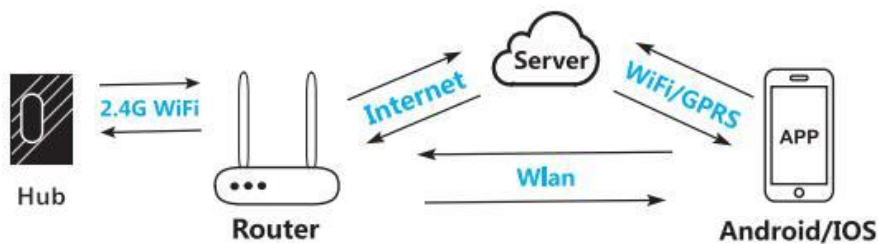
1. Power up the Hub, the Red LED is on.
 - * The 5V USB adapter is not included in the package.
 - * The 5V adapter should be more than 1A (1000mA) output.
2. Use the included Red & Black wire connect the Hub to your opener: Put each end to the same terminals as the wall button wires are terminated to.
3. Use a tiny screw or nail to click the button in the Hub, your garage door should activate.



Test OK! Click the button every time, the garage door will open or close.

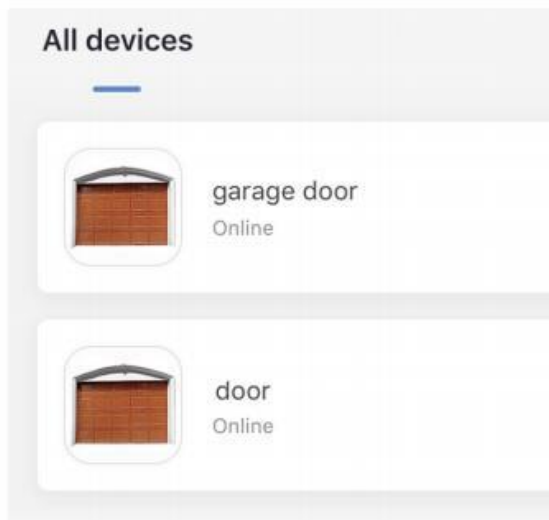
Below are checklist before using the device:

- Your smart phone or tablet should have connected a 2.4G WiFi with internet.
- The device only supports 2.4G Wi-Fi. If you use a 5G router (it provides two Wi-Fi signals: 5G and 2.4G), please select the 2.4G WiFi to connect your smart phone.
- **Download one of the APPs: Mysmarth**
APP Store or Google Play store.
- During pairing process, make sure that your iOS or Android device and the Hub are within the range of your WiFi router.
- Make sure your router is MAC-open. If not, please cancel the router's MAC filtering setting first.

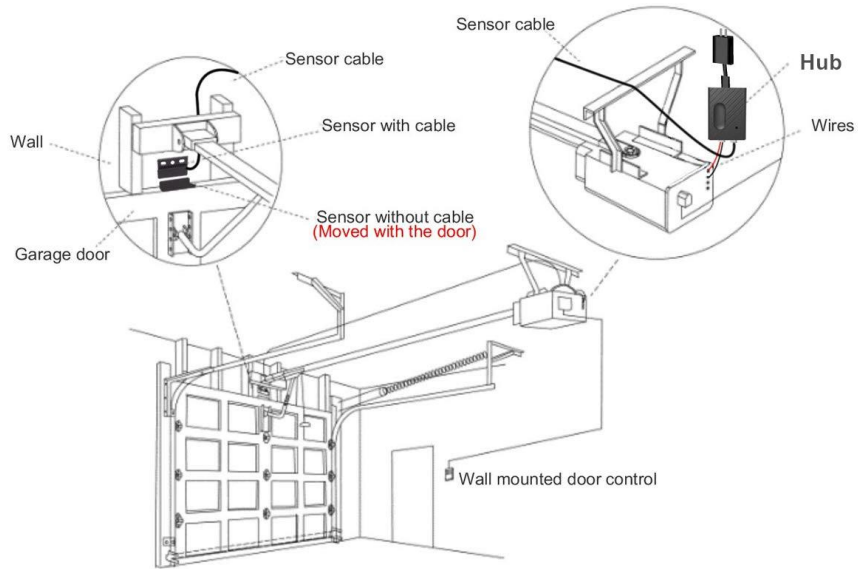


Add Device

- 1 Power up the Hub with your USB adapter , the Red LED is on.
- 2 Use a tiny screw or nail to keep pressing the button in the Hub for 5s, until the Blue LED rapidly blinks (twice per second).
- 3 Launch APP, tap the icon "+" on the right top.
- 4 Select the "Security&Sensor" → Select the "Garge Door"
- 5 Tap "Confirm indicator rapidly blink" .
- 6 Input the correct 2.4G WiFi passwords. Then, tap Comfirm.
- 7 It will auto-connect with the device. Once the process is completed, it will prompt you that you can rename the device. Enter a new name and Save.



EASY INSTALLATION



1st Step : Power up.

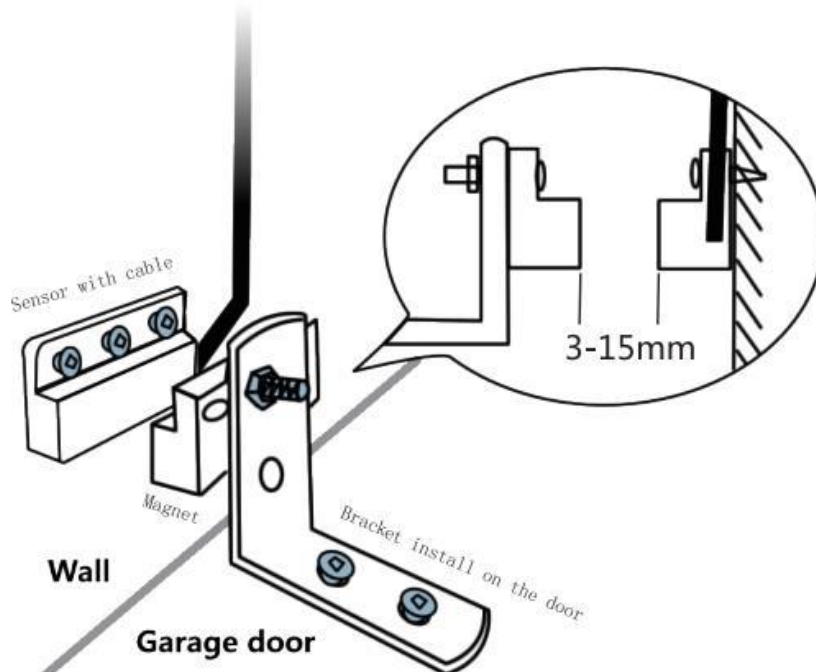
- * The 5V USB adapter is not included in the package.
- * The 5V adapter should be more than 1A (1000mA) output.

2nd Step : Connect to the wall console.

Insert the Red & Black wire 2.0mm terminal to the Hub , then put each end to the same terminals as the wall button wires are terminated to.

3rd Step : Connect to the garage door.

Insert the 2.0mm terminal of the sensor to the Hub , then steady install the sensor and the magnet of the gap within 3mm to 15mm on your garage door with screws/bracket/3M gums/wall nail/line holders/ties.



If it is hard to install with screws , you can also use the 3M gums to finish.
If you are worried about the steady, you can use both screws and 3M gums.

