



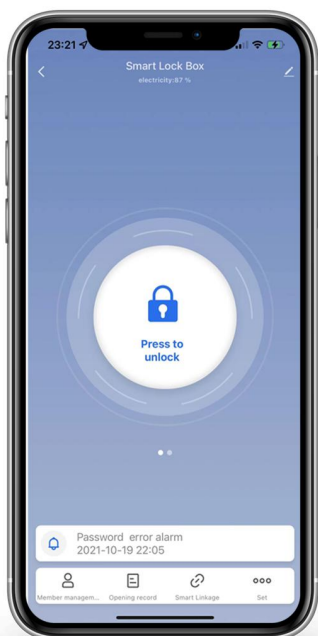
Hello, Smart Home





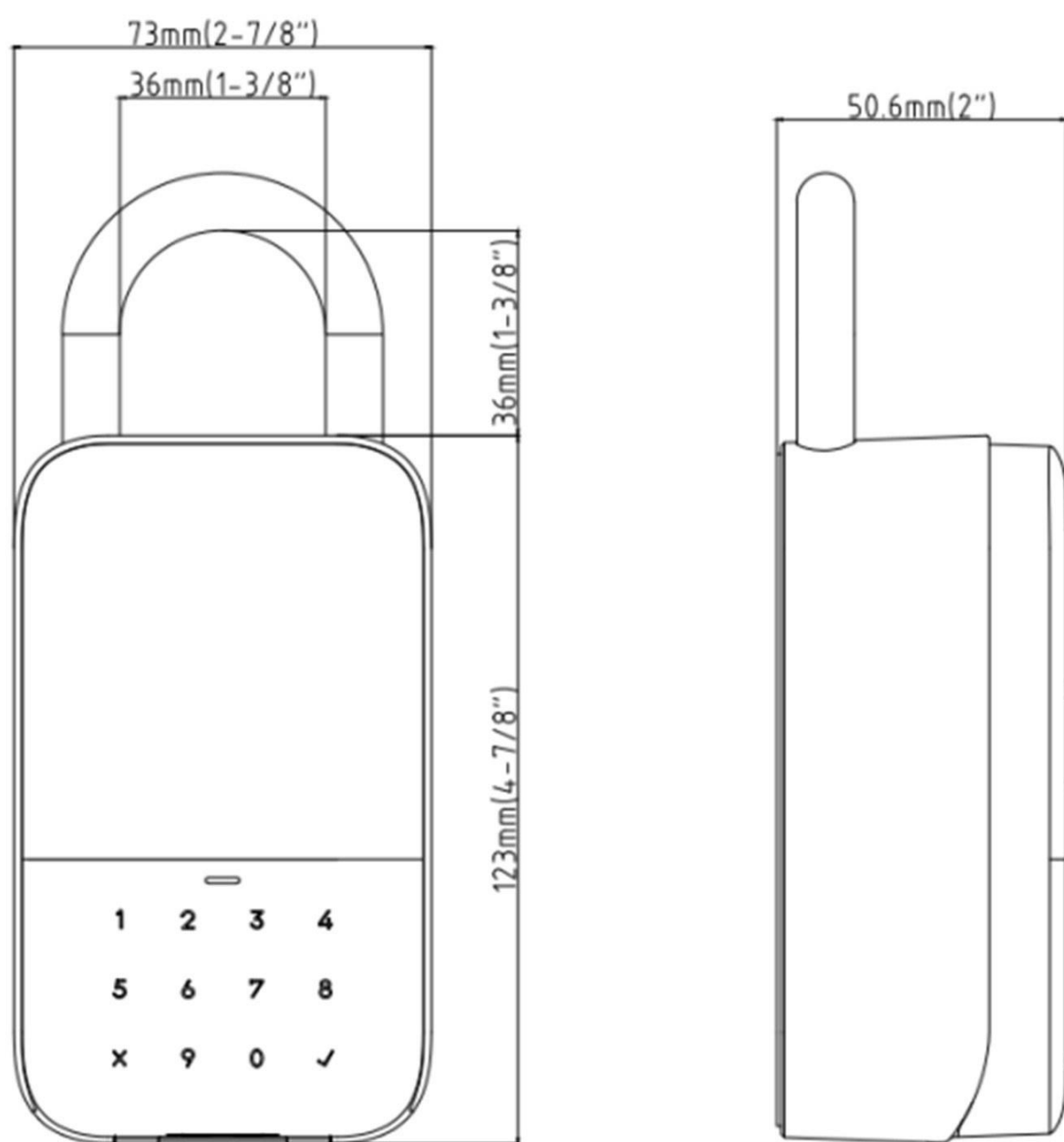
Smart Lock Box

Installation and Operation Guide (V1.0)

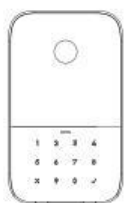


— Important Notes —

- Please follow the instructions in sequential order.
- Please read all the instructions before contacting customer support.
- You must use 3 AAA Alkaline Batteries.



— What's in the Box —



Smart Lock Box x1



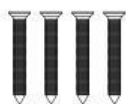
Drill
Template X1



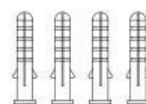
Installation
GuideX1



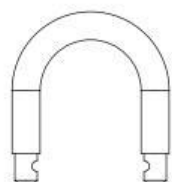
Self-Tapping Screw
15mmX4



Expansion Bolt
30mm X4

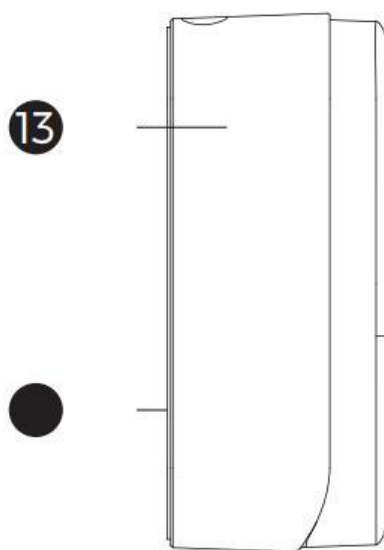
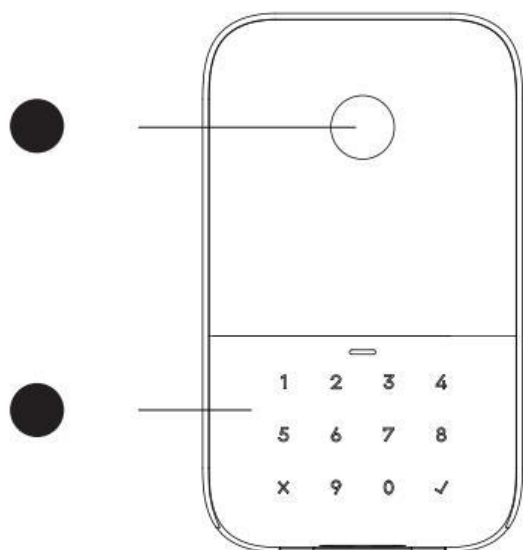


Expansion Screw
30mmX4



Shackle x1
(36mm*36mm*10mm)

— Lock Box Parts —



● Battery Cover Screw

● Battery Cover

● Screw Driver Groove

● Screw Hole

● Shackle Screw

● Shackle Hole

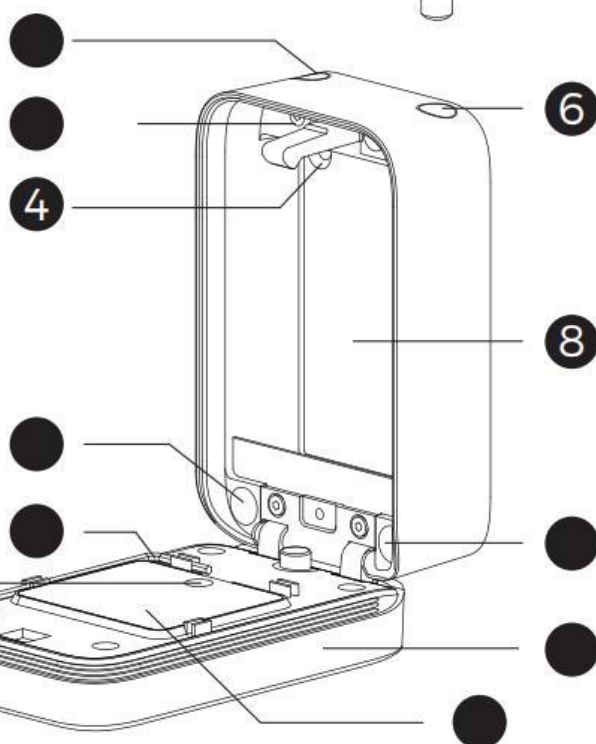
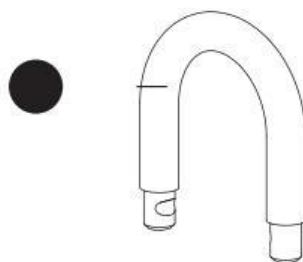
● Shackle

● Storage Space

● Box Cover

● Fingerprint Area

● Touch Keypad



● 3M Tape

● Box Base

— Technical Details —

Style:

Password

Product Dimensions: L123mm*W73mm*H50.6mm

Shackle Dimensions: 36mm*36mm*10mm

Box Space: L98mm*W63mm*H25mm

Access Methods:

Password: Smart Phone, Password

Storage Capacity:

100 PCs of Passwords

Power Supply : 3 AAA Alkaline Batteries

Battery Life: Up to 12 Months (Unlock 10 times a Day)

Box Material: Aluminum Alloy

Emergency Power Supply Interface: Type-C

Operation Temperature :

3 x Alkaline AAA Batteries: -4 °F ~ 158 °F (-20°C to 70°C)

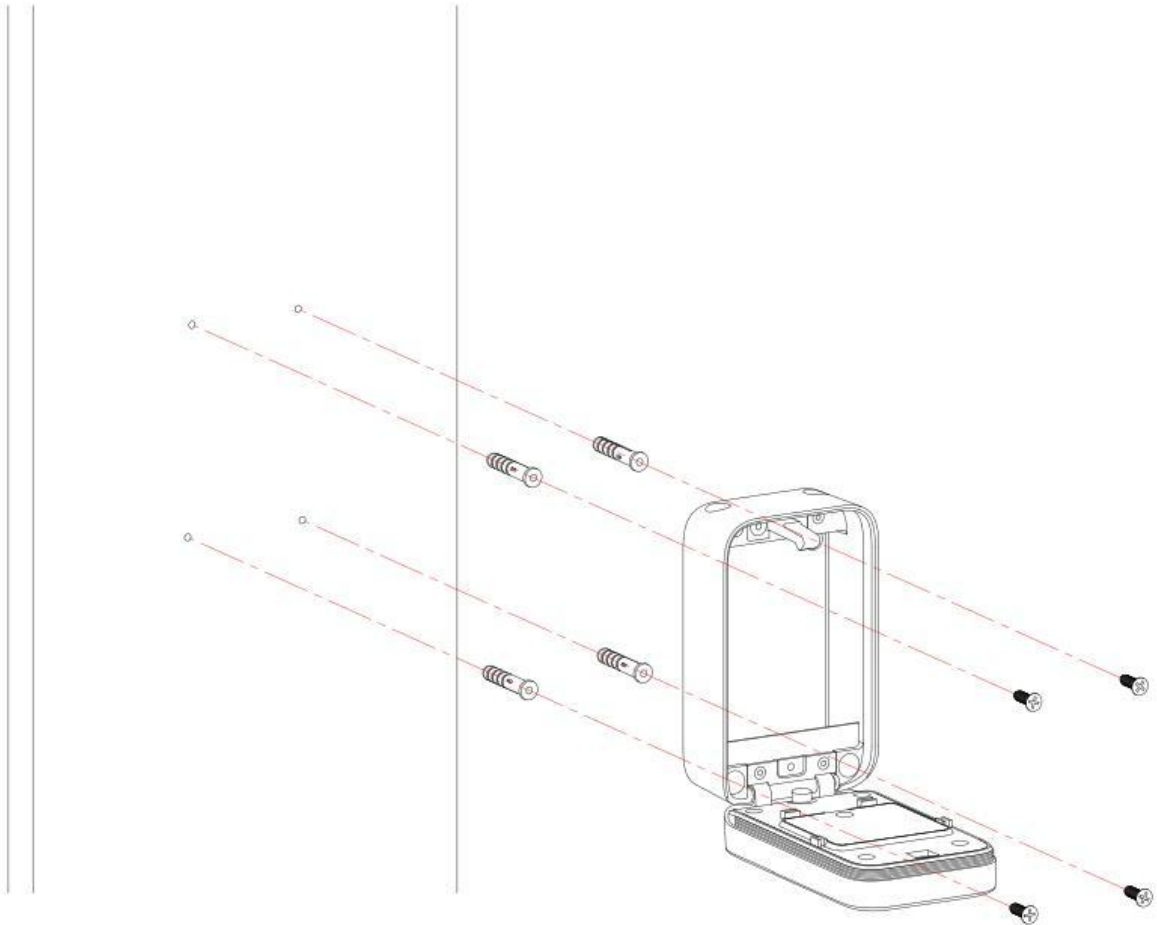
1.3 Cement, concrete, brick , stone/Expansion Screw

Step 1. Use the drill template to position 4 drilling points on the wall.

Step 2. Drill the marked holes with electric drill (30mm depth), insert the expansion bolts.

Step 3. Open the lock box, align the drilling holes and the screw holes on the box, insert the expansion screws into the expansion bolts.

Step 4. Tighten the screws.

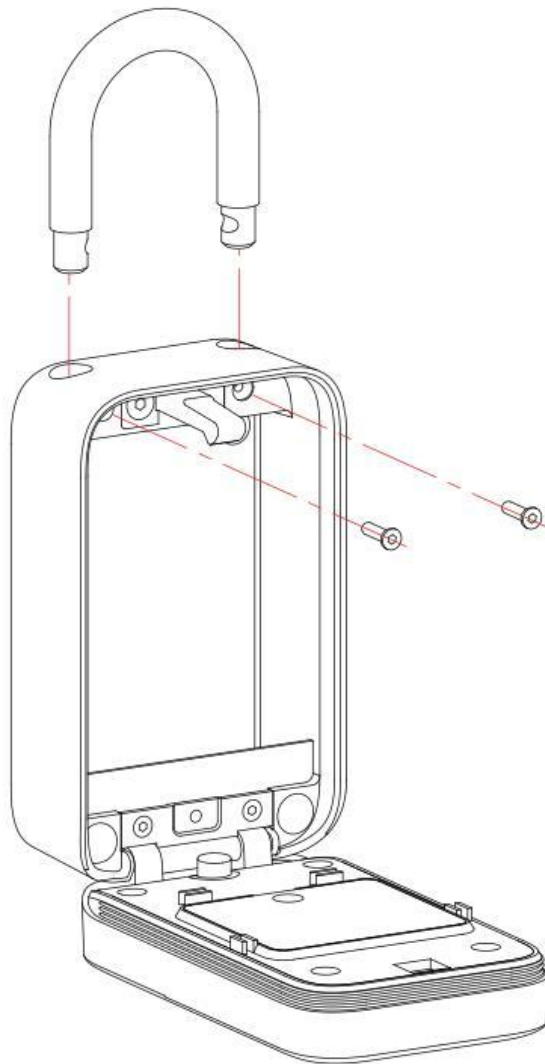


1.4 Handle/Shackle

Step 1. Open the lock box, take out the 2 screws used to fix the rubber plug (or shackle).

Step 2. Take out the 2 rubber plugs.

Step 3. Fix the shackle on the lock box, tighten it with the 2 screws you took out before.

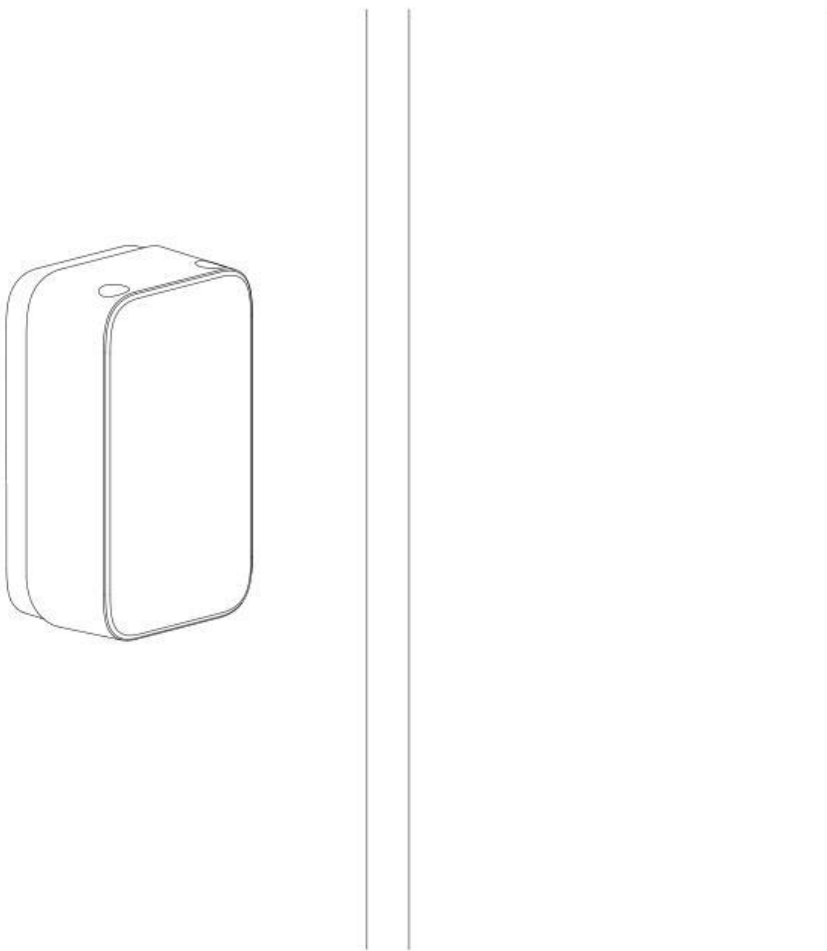


1.5 Stick

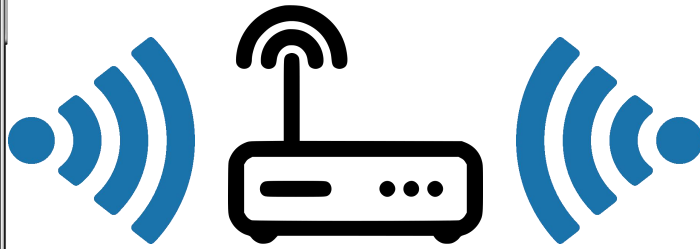
Step 1. Peel off the covering of the 3M tape on the back.

Step 2. Confirm the glass door/surface you would like to stick. (Keep it clean)

Step 3. Press the lock box into the surface,



1. Set Up Router



Please keep network available

2.4GHz

5GHz



The router supports the 2.4GHz WiFi (doesn't support the 5GHz), and is connected to the WiFi network. Please set the parameters of the router before connecting the WiFi network, and record the SSID and password of your WiFi.

2. Turn On Your Smartphone's Bluetooth



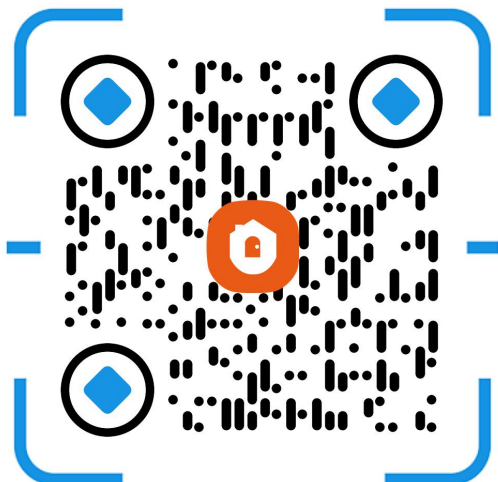
Turn on your smartphone's Bluetooth.

Install Free App

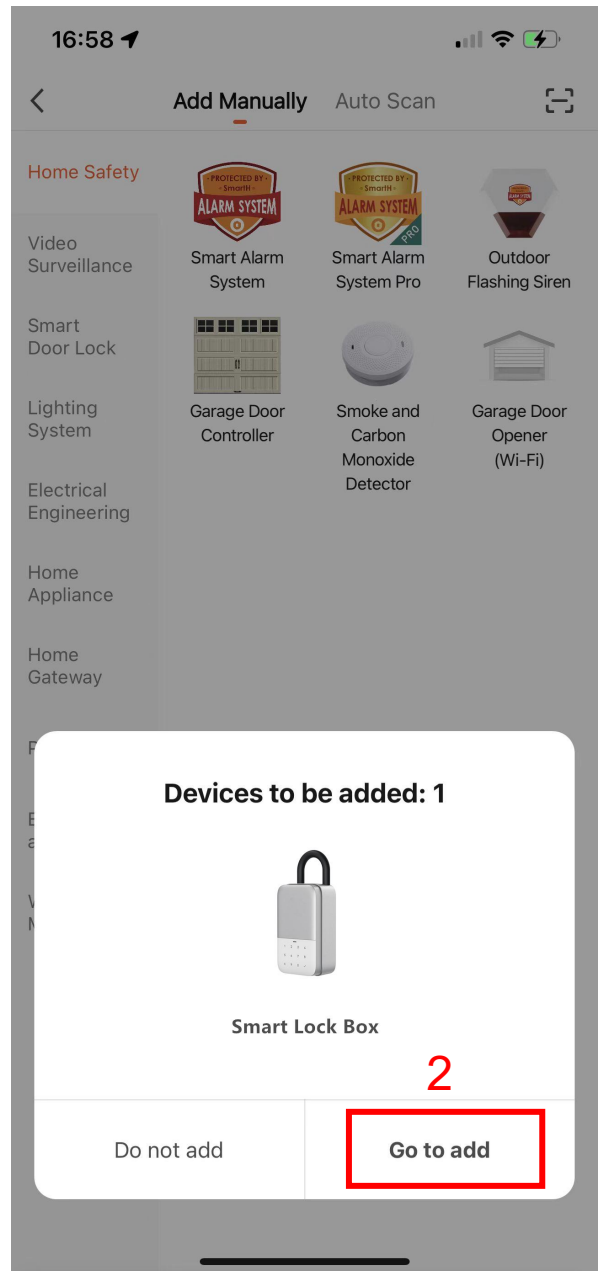
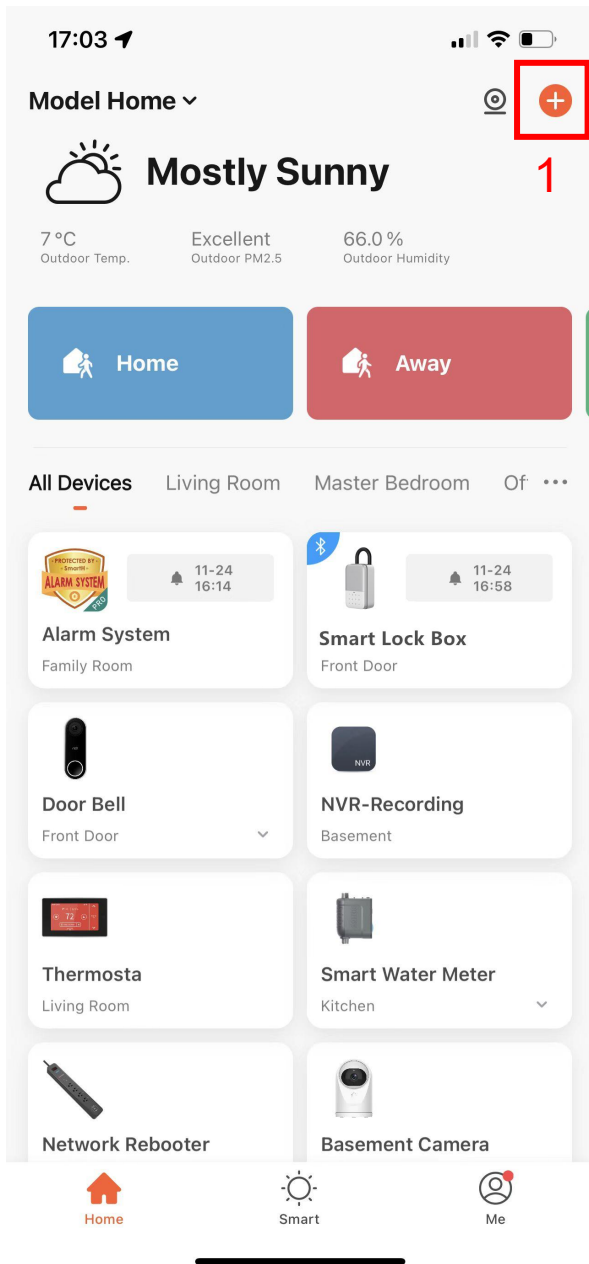
Download APP: scan the QR code below to download and install. Register and login: open the "MySmarth" APP to register and login according to the prompts.



Customer Support

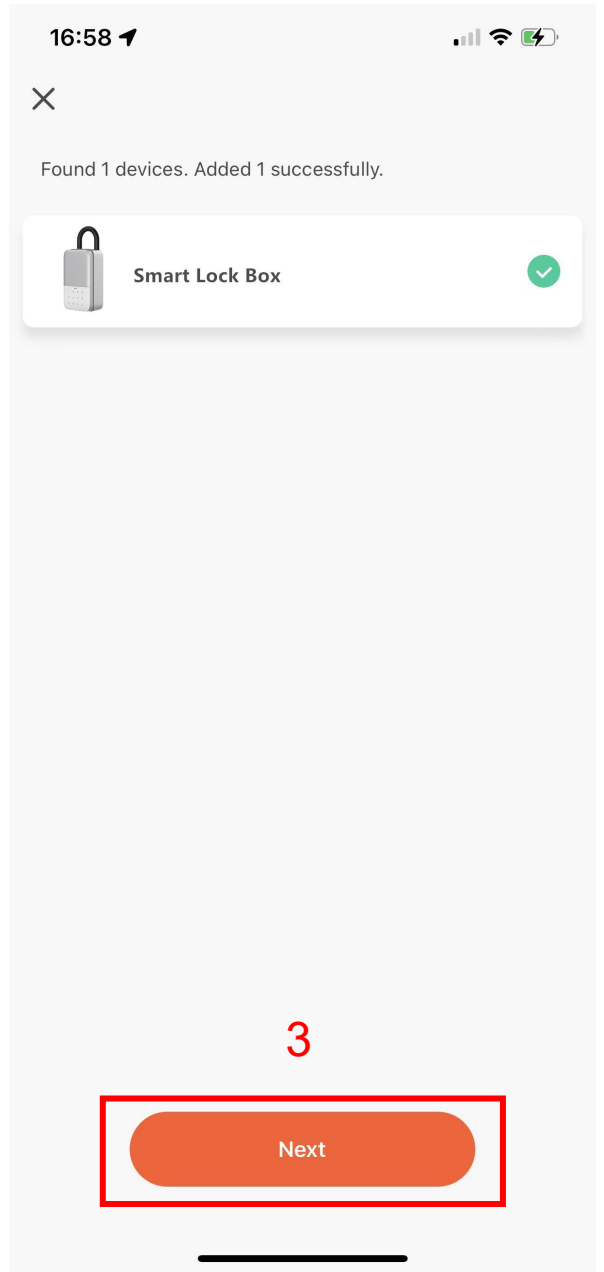
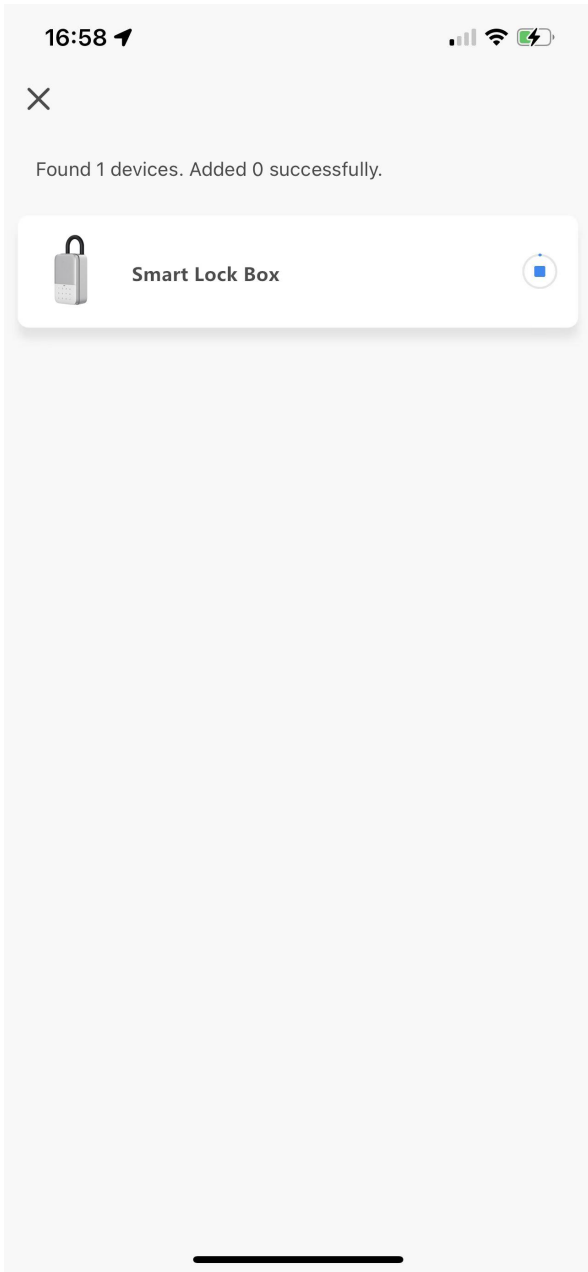


Connect the Smart Lock Box to MySmarth App

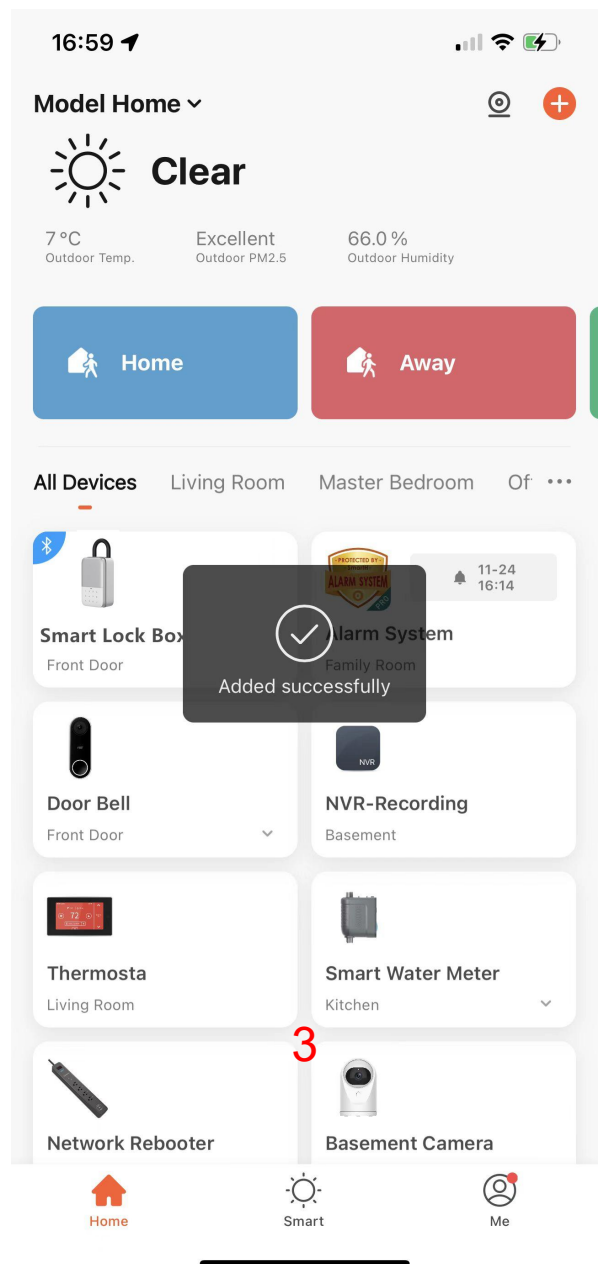
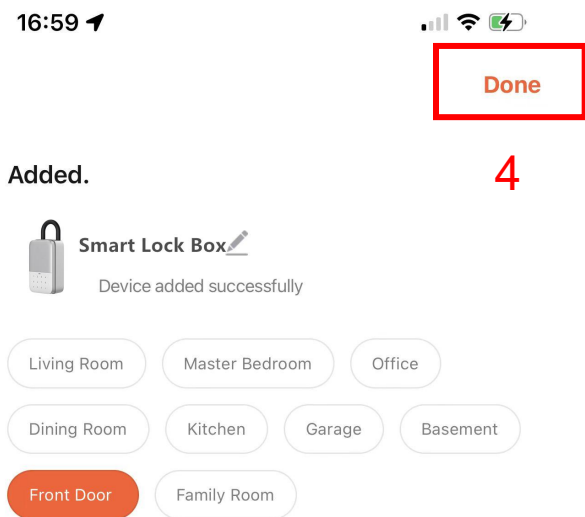


1. Launch the app and tap the Plus (+) in the top right corner to add a device.

2. Tap “Go to add”

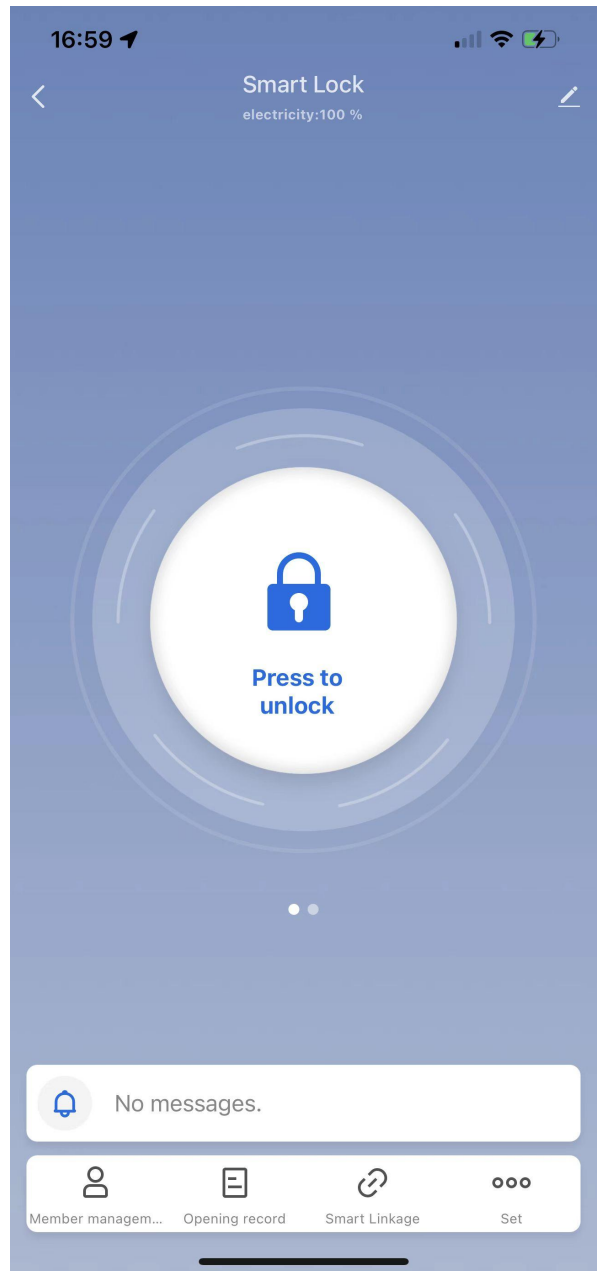
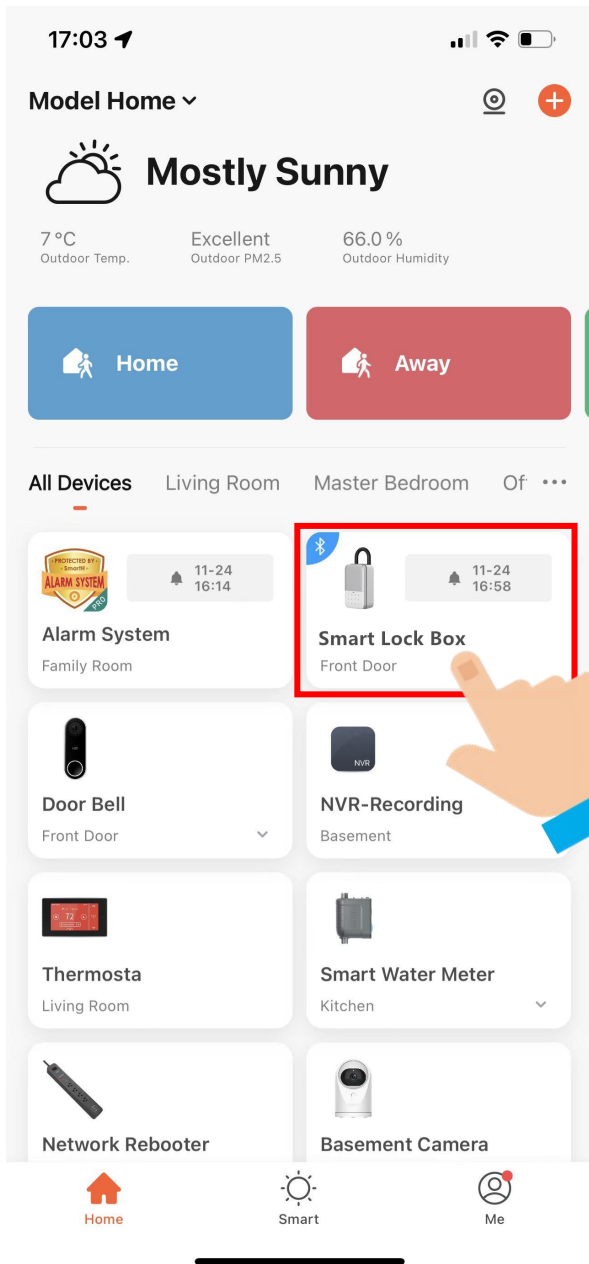


3. Tap "Next"



4. Tap “Done”

Now your Smart Lock Box is successfully added to MySmarth app.



(Attention: the smart lock Box and the phone can only be allowed one-to-one connection at the same time. It means that if your phone is connecting with the smart lock, then the other phone can't connect the Smart Lock Box.)

Password Setting

*Password Touch Board: 0-9, *, √.*

Permanent Password :6-10 numbers, valid until you delete.

Step 1: Select the device on the “**Home**” page and go to “**Set**” page.



Step 2: Tap “**Password Management**” on the top right-hand corner, and choose “**Add password**”.



Step 3: Select the user you would like to add permanent password, and set the password.

Time-code password:

One-time password: 6-10 numbers, set the start and end time for one-time use.

Periodic password: 6-10 numbers, set a schedule time for routine visit.

Dynamic password:

10 numbers, can be generated offline, valid within 5 minutes.

Anti-peep password:

unlimited number + permanent password + up to 9 numbers.