

UPVC WINDOWS & FRENCH DOORS

welcome home



eurocell[®] HOME

Contents

Welcome to quality windows & doors	3
The sustainable choice	8
Strength and security	10
Casement windows	14
UPVC Doors	22
Colour your world	30



Welcome to quality windows & doors

Window on your world

The look and style of your home says a great deal about you. Doors and windows are a prominent feature on any property and really dictate the character of your home. As well as creating a first impression for visitors, they play a crucial role in weather-proofing, insulating and securing your property.

Installing high-quality UPVC windows and doors is the best-value home improvement you can make. At a stroke you can improve the appearance, energy efficiency and security of your home – all at an affordable cost.





▲
French Doors
Chamfered in Anthracite Grey
with sidelights

Styles to suit every home

We can create a complete range of window and door types to suit any home. From classic casement windows to entrance doors.

◀ Chamfered casement
windows in White

Privacy Windows
Chamfered in White ▶





▲
Chamfered casement windows
in Anthracite Grey

Add value to your home

Colour-match guarantee

Because all our frames are produced by us we can assure you that all colours are exactly matched across our entire range of window and door products. It means that our whites are the same white across all products and our woodgrain finishes are all perfectly matched. No matter what the age, style or size of your property, we can create high-quality windows and doors to enhance and add value to your home.

High-security system

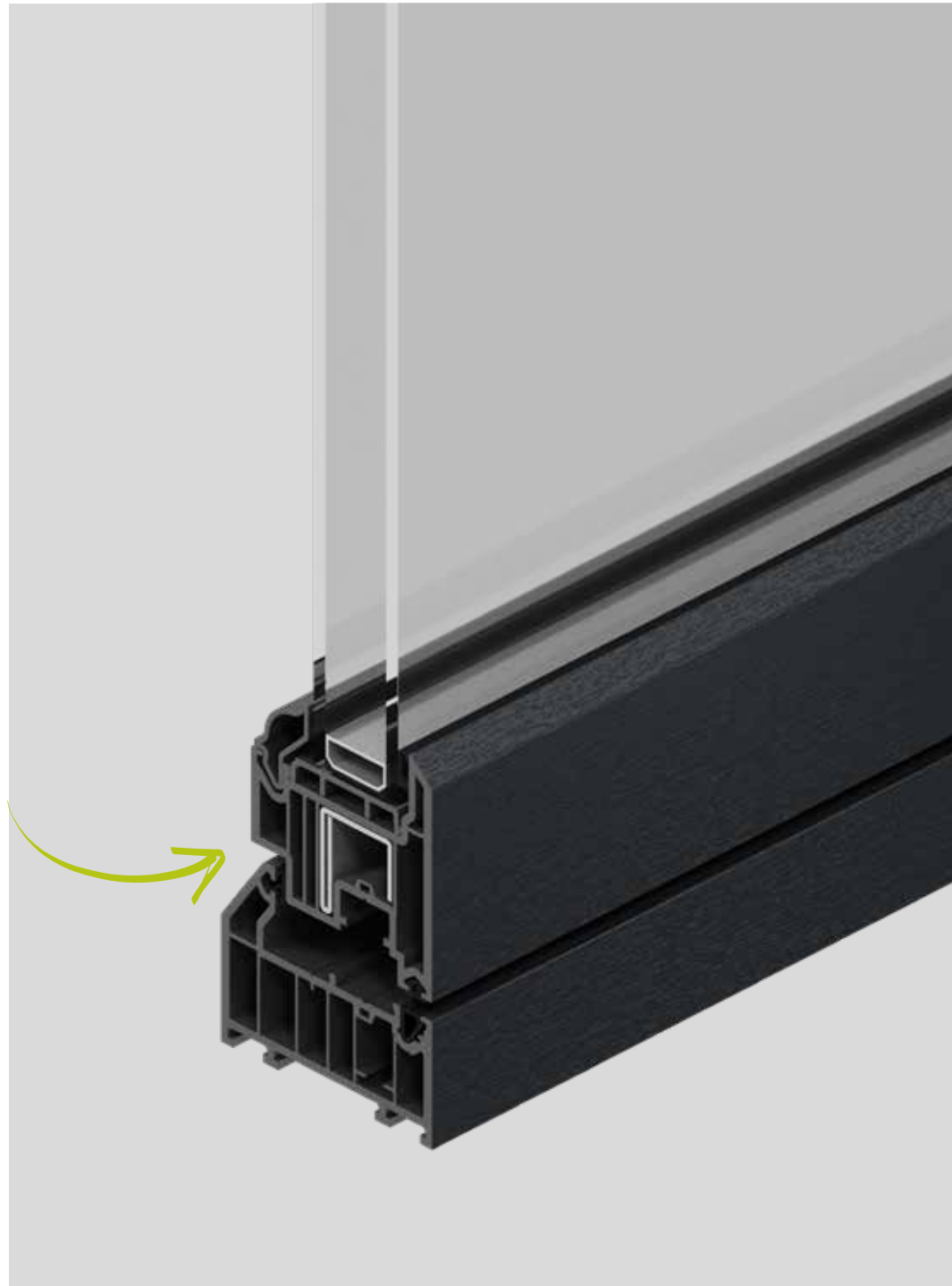
Our UPVC windows and doors are durable and robust, giving long-life, low-maintenance performance, with no need for painting or other treatments. They are fitted with high security locking mechanisms and tested to PAS24 and Secured by Design enhanced security standards, giving you the peace of mind that your home is well protected against intruders.



multi-chambered frame design

Energy efficient design

Our multi-chambered frame designs deliver exceptional energy efficiency for both windows and doors – helping to keep your home warm and comfortable all year round, as well as reducing your energy consumption. Our slim frames also allow the area of glass in windows to be optimised, maximising the amount of natural light within your home.





The sustainable choice

Made & Recycled in the UK

For many years, UPVC windows and doors have been recognised as the durable, low maintenance and energy efficient option. Now, thanks to recent advances in recycling, UPVC windows and doors are the first choice material for sustainability too. It means that choosing to buy your UPVC windows and doors from us is good for your home, your pocket and the environment.

We are at the forefront of sustainable developments in the UPVC industry. We recycle over 2.4 million waste window frames per year which would otherwise go to landfill. The material is used to manufacture brand new windows, for closed-loop material sustainability.

Reusable and recyclable for hundreds of years

Research has shown that 95% of 'post-consumer' or end-of-life UPVC windows can be recycled. The official product life for a UPVC window or door of up to 35 years (BRE) and they can be recycled up to 10 times meaning 350 years of re-use with minimal impact on the environment.

Our windows represent a genuine sustainable option. Not only because they help reduce CO₂ emissions, but also because UPVC is a fully recyclable material. Each year, tens of thousands of tonnes of UPVC are recycled, minimising impact on landfill waste sites.

made with recycled content

Coloured content shown for illustrative purposes.



Sustainability awards won by our UPVC profiles partner Eurocell



Ultimate energy efficiency

Warm in winter. Cool in summer.

Built-in thermal efficiency

Our window frames feature an advanced multi-chambered cross-section which helps to prevent heat loss and enhance thermal efficiency. This means we can create windows that meet the highest energy efficiency ratings.

Windows that make the grade

Window Energy Ratings are a simple, clear and easily understood method of informing customers of the relative energy efficiency of a particular window. Our windows and doors are all A-rated as standard.



Comfortable homes with lower running costs

Windows have a vital role to play in conserving energy in buildings, since 20% of the heat escaping from an average home is lost through its windows.* Choosing the right combination of glazing and window frames is essential to improve the energy efficiency of your home, reduce your energy costs and, crucially, create a comfortable living environment for you and your family – all year round.



Good for your pocket – and the planet

Conserving energy in our homes is essential to help reduce energy bills and protect the environment by cutting carbon dioxide emissions. The fact that our homes and buildings are responsible for almost half of the UK's carbon dioxide emissions means that improving energy efficiency in all dwellings is a top priority for the Government and homeowners alike.

A

a positive contribution

Any windows or door with a WER of 'A' or higher makes a positive energy contribution to your home

* Source: Energy Saving Trust



Strength & security

Feel safe and secure

Protect your property

Your windows play a crucial role in securing your home against unwanted intruders. In addition to being secure, they need to be robust and durable enough to withstand the wear and tear of everyday use – as well as everything the British weather can throw at them, which is why our products are tested to BS 6375-1 covering air permeability, water tightness and wind resistance.

Low maintenance option

One of the principal benefits of UPVC windows over any other material is that they require no maintenance, other than the occasional wipe down with a damp cloth – no painting, no preservative treatments, no hassle.

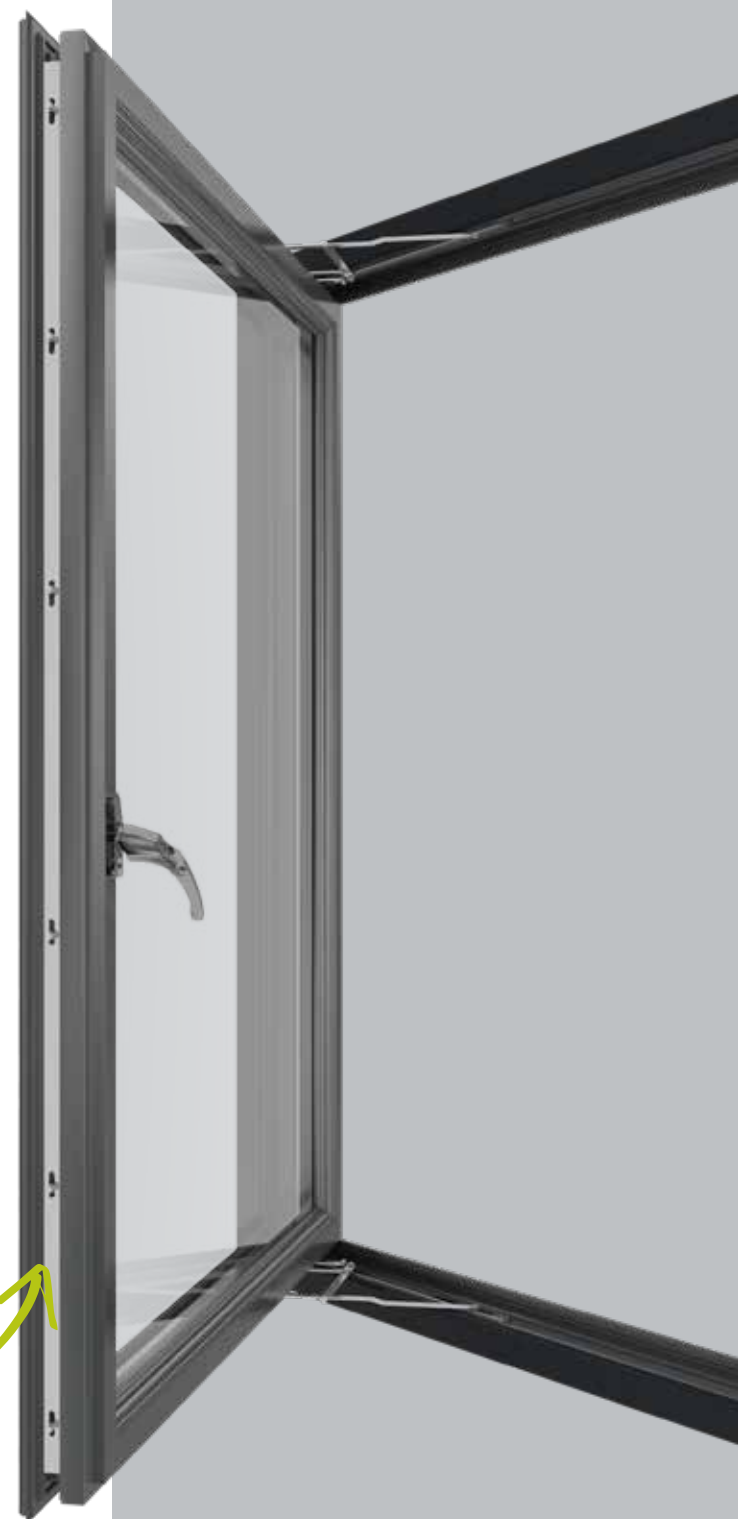


Safe and secure

Protecting your property against unwanted intruders is a primary concern for every homeowner. That's why our windows have been designed to deter burglars and secure your property against forced entry. For a start, all of our windows are internally beaded, which means the glazing units cannot be removed from the outside.

That's a major deterrent to burglars. What's more, our windows and doors are tested to PAS24 Secured by Design standards and can be fitted with the most advanced security hardware on the market, including shoot bolts, locking handles, heavy-duty security hinges and hinge guards.

a range of security options including reinforced frames



Casement Windows



Ovolo casement windows
in Irish Oak

Refresh your outlook on the world

Windows are the showcase feature of your home. They determine the character and appearance of your property, whether it's a chic apartment, a traditional Victorian terrace or a stylish new-build house. Windows frame your view of the world from within and define the appearance of your home from the outside.

It's essential to choose windows that complement the style of your home, provide long-life protection against the elements and enhance the security of your property. With our versatile UPVC windows, you can rest assured that you will find an attractive, secure, energy-efficient style to suit your home.

A question of aesthetics

The contemporary styling of our UPVC windows includes a slimmer frame, giving a sleek, unobtrusive appearance and maximising the area of glass in your windows. That means more natural light in your home and a clearer view of the outdoors for you.

The aesthetics of your window can be enhanced to match the architectural style of your home with a range of stylish accessories. Georgian bars, mock horn sashes and arch-top inserts can help you to create an individual look that perfectly complements your property.

Framed in style

Our windows are available with two distinctive styles of frame and beading. The chamfered option is a contemporary, straight-edged style, while ovolo sculptured beading gives a more traditional, decorative finish to your window.

Both options are available across our entire range of windows, giving you complete flexibility to select your preferred style. You can even mix and match chamfered and ovolo glazing beads to create a unique style all of your own.



Ovolo
(Sculptured)



Chamfered
(Straight edge)

Flush Sash
(Square)

The flush sash window

A new look and style for your home

Most of the windows you see when you look around are designed with either the popular chamfered or ovolo frames. Now, there's a third style to choose from – the flush sash frame.

Like the name suggests, these windows offer a smooth, flush fitting appearance when closed, with no lip between the outer frame and the sash. The result is a modern, streamlined look when finished in Grey that's growing in popularity, especially in more modern home designs. For a more traditional timber look choose a woodgrain finish to perfectly complement the aesthetics of your property.

 **Flush Sash window**
in Anthracite Grey



*smooth
flush fitting*

Our flush sash windows are from our successful Logik S range, so you can expect superb heat and noise insulation, security and strength as standard.

Logik S Flush Sash frames are available in a wide range of woodgrain colour finishes. In fact, they're so realistic, it's hard to tell from the kerbside that they're not actual wood frames.

◀ **Flush sash window**
in Anteak



◀ Chamfered windows
& French doors
in Anthracite Grey


Styles to suit every home

A welcome complement

Whether you live in a contemporary city-centre flat, a suburban semi-detached or a quaint country cottage, we offer a window style to enhance your home and complement its individual character.



CASEMENT WINDOWS

Right: 
Ovolo casement windows
& entrance doors
in Irish Oak

Casement windows

This simple and functional window design is ideal for all types of property. It is the most popular and widely used style of window in the UK. Our casement windows can be either top-hung opening or side-hung opening to suit your requirements, providing excellent ventilation and security. You can choose clean-cut chamfered beading or a more decorative sculpted ovolo finish, according to your tastes, and consider internal or external Georgian bars.



*a choice of
opening options*



French doors



Let the fresh air in

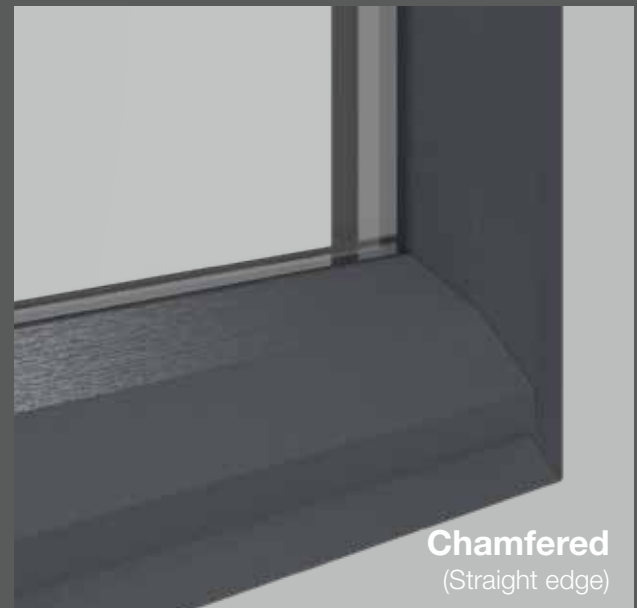
On a warm summer's day, there's nothing quite like throwing open your French doors and letting the fresh air and sunshine come flooding in. French doors are a more traditional style of door, full of charm and character and unlike timber, UPVC gives you more options to customise your French doors to your individual taste.

French doors are ideal for a wide range of uses and can be beautifully suited to open up conservatories or to make a unique design statement within your home, our doors have a classic appearance with all the benefits of contemporary UPVC double-glazing. They also bring some real benefits, including the latest security and superior energy efficiency.

For a smooth, seamless transition between outdoors and indoors, we can design your French doors with a low threshold. This enables easy access to your home particularly for push chairs and wheelchair users, meaning your doors are fully compliant with Part M Building Regulations.

Individual design

A choice of frame styles – Chamfered or Ovolo and a choice of opening options mean you can tailor the finish of your french doors to your individual taste. Inward opening allows you to make the most of your patio space or you can maximise your indoor areas with an outward opening mechanism.





Transform and enlighten your home

French doors are ideal for a wide range of uses, particularly where a traditional feel is required. Beautifully suited to open up conservatories or to make a unique design statement within your home, our doors have a classic appearance with all the benefits of contemporary UPVC double-glazing.

Co-ordinated charm

When you choose from the Eurocell Home range, 'sight lines' are designed to match the windows of your home. This means you can easily achieve a consistent style and still retain the individual character and appeal of your doors.



Low-maintenance living

We know how stunning your french doors will look and that you will want to keep them looking that way for years to come. In addition to a full 10-year profiles guarantee, we also fit our doors with convenient easy to clean internal rebates, so you know your door will look its best with the minimum of effort.



Colour your world

With a choice of contemporary & traditional styles

With a choice of contemporary colours and styles, you can create a look that is perfect for your home.



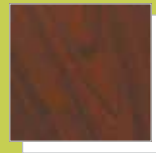
WHITE
White interior



IRISH OAK†
White interior



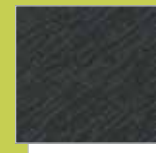
GOLDEN OAK
White interior



ROSEWOOD
White interior



SLATE GREY*
White interior



**ANTHRACITE
GREY***
White interior



BLACK ASH*
White interior

† Ovolo only * Chamfered only - Black Ash also available in Flush Sash

Peace of mind

Included as standard

10
years

10-years guarantee
on the window
and door frames

5
years

5-years guarantee
on the glass

3
years

3-years guarantee
on the hardware

UPVC WINDOWS & FRENCH DOORS



Product specification is subject to change without notification. Please also note that colours shown are illustrative only, as the printing process does not allow 100% accurate colours to be reproduced.