

Amish Built, Inc.

Review Only - Not For Construction

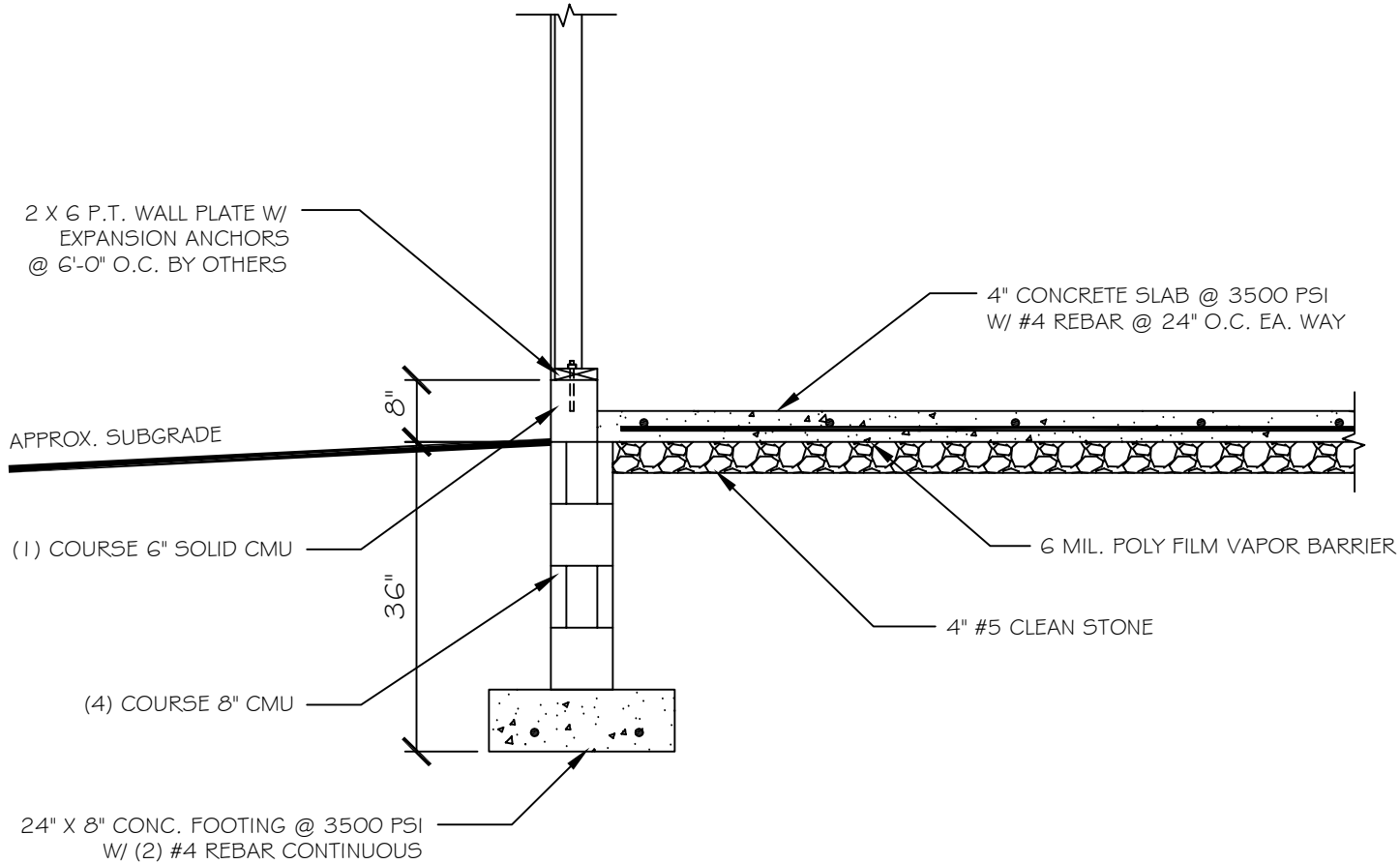
JOHN ESH

717-442-5053

DRAFTING CONCEPTS LLC
ARCHITECTURAL DRAFTING

DRAFTER, MANNY STOLTZFUS

NOTES:



SECTION DETAIL

CONTRACTOR:

PROJECT:

TITLE:

DATE:

5/15/17

DRAWN BY:

E.S.

SCALE:

1/2" = 1'-0"

SHEET:

1 OF 1

E245-13

A-1