

HEAVY DUTY  
POT & UTENSIL WASHERS

**GEvo**

Power. Pressure. Performance.



 **COMENDA**  
TO CLEAN. WITH CARE.



## **INCREDIBLE PRESSURE AND SIGNIFICANT POWER.**

The G-Evo series pot and utensil washers combine practical cleaning solutions and compact design.

**Reliable and easy to operate, they are designed to remove the most stubborn stains, grime, grease, cooked-on leftovers and promote energy efficiency and operational savings.**



## FRONT LOADING EXECUTION

Designed for tight spaces and engineered for maximum performance, our front loading washers feature easy-sliding, simple-to-load removable racks as well as dual and balanced doors.

**G-Evo 50**  
**G-Evo 50 R**  
Pot & utensil washer  
three phase  
duble skin execution,  
550 x 660 mm rack,  
650 mm clearance (G-Evo 50)  
850 mm clearance (G-Evo 50 R)



**G-Evo 605 R/G-Evo 655 R**  
Pot & utensil washer  
three phase  
duble skin execution,  
650 x 700 mm rack,  
650 mm\*\* clearance



**G-Evo 805 R**  
Pot & utensil washer  
three phase  
duble skin execution,  
810x700 mm rack,  
650 mm\*\* clearance



**G-Evo 1005 R/G-Evo 1155 R**  
Pot & utensil washer  
three phase  
duble skin execution,  
1320x700 mm rack,  
650 mm\* clearance



\*800 mm clearance execution available ("H" models).

## SIDE LOADING EXECUTION

Double the efficiency with high volumes. Designed for quick loading and unloading, thanks to the side tables, it allows the staff to handle an additional rack while the washing cycle is on.

**G-Evo 755 R**  
Pot & utensil washer  
three phase  
duble skin execution,  
700 x 700 mm rack,  
620 mm clearance,  
Straight and corner execution



**G-Evo 1255 R**  
Pot & utensil washer  
three phase  
duble skin execution,  
1320 x 700 mm rack,  
620 mm clearance,  
Straight execution

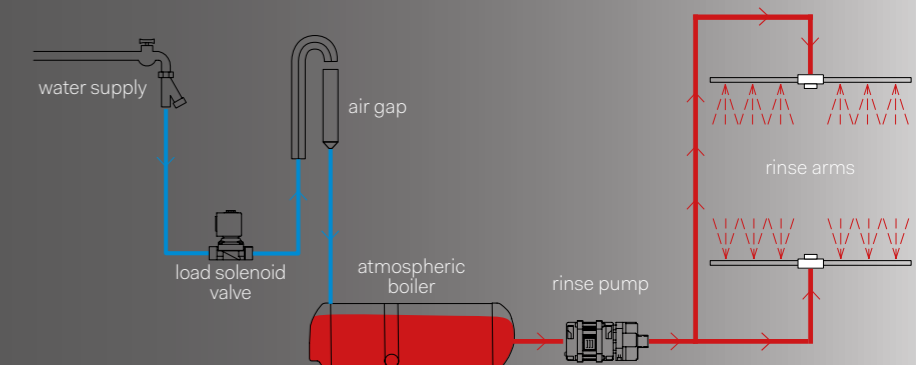


### RCD - RINSE CONTROL DEVICE \*

RCD: how it works

The RCD System, maintains constant water pressure and temperature throughout operations.

The highest levels of hygiene and sanitisation are achieved through high washing and rinsing temperatures along with contact times in line with the DIN 10534 standards.





### CAN EASILY HANDLE

#### CONTAINERS



#### GN TRAYS AND CONTAINERS

#### TRAYS & BAKING PANS



#### POTS & PANS



#### KITCHEN UTENSILS



### BUSINESS AREAS

#### CARE SECTOR



#### SCHOOLS & CANTEENS



#### FOOD PROCESSING



#### MEAT PRODUCTION



#### HO.RE.CA.



#### PASTRY & BAKERY SHOPS



#### CENTRAL KITCHENS



#### SUPERMARKETS & GROCERIES



#### MARINE



\*Marine execution: 440 V/3/60Hz



## FEATURES

### DURABILITY

- Double skin insulated body in AISI 304;
- Molded double skin counterbalanced insulated door;
- Ergonomic stainless steel handle.



### FLEXIBILITY

- **Clearance:** up to 620 mm and up to 850 mm
- **Rack sizes:** 550 x 600 mm / 650 x 700 mm / 810x700mm/1320x700mm
- 8 models available both in **electric and steam heated expedition**
- **Front loading or side loading with straight and corner execution**
- Provision for peak power reduction connection (PCE).



### HYGIENE

- **Stainless steel extractable filters;**
- **RCD** -rinse control device;
- **Separate stainless steel wash and rinse arms;**
- **Removable wash and rinse arms support;**
- One piece **deep drawn wash tank** with rounded corners to prevent soil deposit;
- **Self-cleaning cycle** at unit switch off.



### SAFETY

- **Magnetic microswitch to stop the cycle** in case of accidental door opening;
- **Adjustable Thermostop** as a standard: it ensures that the correct operating temperatures are reached;
- **Temperature measurement** via electronic probes: accuracy and reliability.



## WASH AND RINSE SYSTEM

### STANDARD

- **Stainless steel upper and lower wash manifolds** each with 4 arms with deep drawn jets;
- **Stainless steel upper and lower rinse manifolds** each with 2 arms with stainless steel anti clogging jets;
- **Double filtration system:** stainless steel surface filter and basket filter;
- 3 kw Wash pump.



G-EVO 655 R AND G-EVO 1155 R

### HEAVY DUTY+

Two "heavy duty+" models specifically tailored to meet the requirements of food processing sector and pastry & bakery shops and whenever that extra boost is required.

- EXTRA **LARGE** stainless steel separated Wash and rinse arms;
- **Double filtration system:** stainless steel surface filter and basket filter.;
- 3kW stainless steel wash pump.



## CONTROL PANEL

### STANDARD

- **Display with temperature indicators**
- Cycle progress with graphics countdown;
- **4 programming options for washing cycles** (short - medium - long - intensive);
- **Diagnostics** with alphanumeric alarm codes;
- **Cycles and performances counter:** allows the technician to plan maintenance. Useful for statistics and usage informations;
- **Colour- coded status indicators:** the intuitive **START** button features clear cycle monitoring with to help your operations to run at its best.

- Initial tank fill
- Ready to go
- Cycle on
- Alarm

### STANDARD

## FRONT LOADING EXECUTION - EYE-LEVEL CONTROL PANEL\*

Simple, intuitive and easy to use side control panel positioned at operator's eye height for a quick and easy interaction with the machine and keep operations under control.



\*Models G-Evo 50, G-Evo 50 R, G-Evo 605 R, G-Evo 655 R, G-Evo 805 R, G-Evo 1005 R, G-Evo 1155 R.



### STANDARD

## SIDE LOADING EXECUTION\*\*

\*\*Models G-Evo755 R, G-Evo 1255 R.

## EASE OF SERVICE

Improved serviceability and component accessibility thanks to the complete redesign of the technical compartment.

Crucial areas and components like the electric box, heating elements, wash pumps and dosing units can be quickly accessed by simply removing the front panel.





## THE POWER OF CONNECTIVITY.

STANDARD

### WIFI CONNECTIVITY AND REMOTE MONITORING

The new **Wi-Fi Pack** - standard on all models - allows the operator to **easy monitoring the machine functions and access a vast amount of information and prevent possible failures by managing the anomalies in real time** from smartphone, tablet and PC and **keep consumptions under control.**



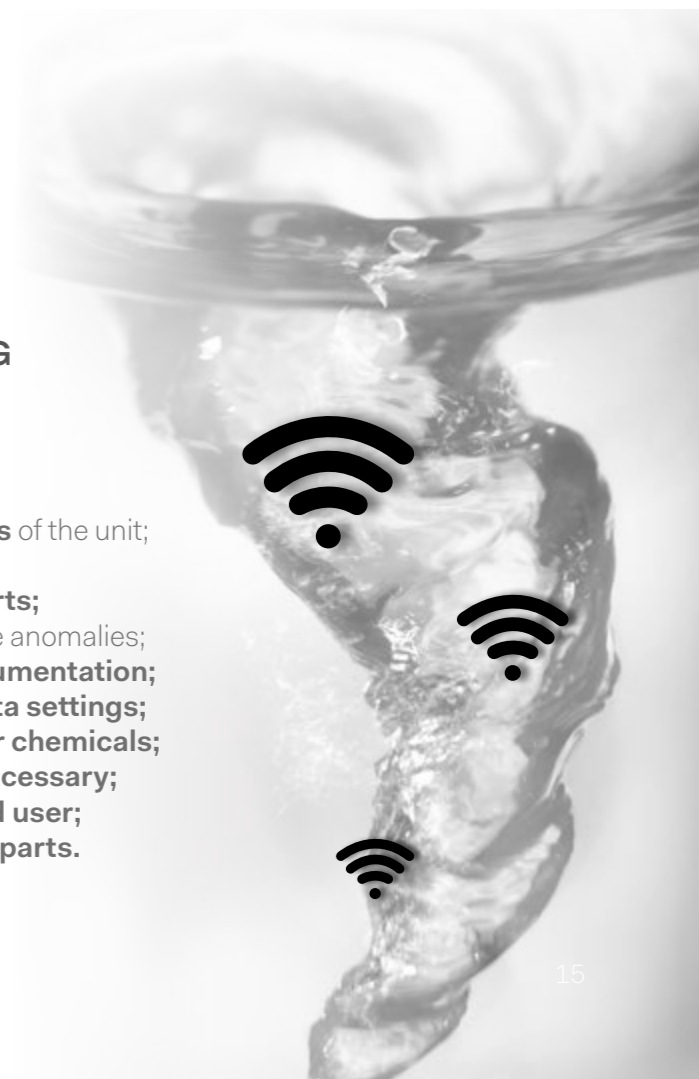
INDUSTRY  
4.0



### COMENDA CLOUD WASHING & WEB DASHBOARD

Simple and intuitive it allows to:

- Check the main **operating parameters** of the unit;
- **Start/stop the washing cycle;**
- **Download Records and HACCP reports;**
- **Access the alarm list** and manage the anomalies;
- **Check and download technical documentation;**
- **Save unit specific parameters or data settings;**
- **Adjust temperatures and dosage for chemicals;**
- **Plan the calls out for fixing only if necessary;**
- **Develop periodic reports for the end user;**
- **Make a remote assessment of wear parts.**







## COMPLETE YOUR UNITS

OPTIONAL

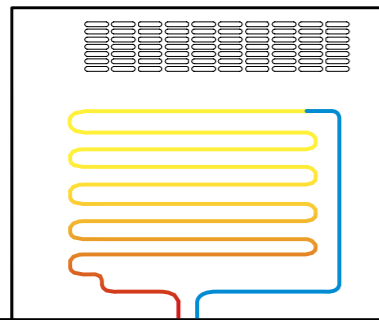
### CRC - HEAT RECOVERY UNIT

CRC allows for consistent energy savings while operating on cold water feed (15 to 30 deg C) without compromising on the machine output.

**CRC allows for consistent energy savings.**

**Minimizing the steam released, CRC helps creating a more comfortable work environment.**

**Ventless Execution.**



↑↑↑

WATER INLET



**-31%**  
energy  
⚡



**-43%**  
energy  
⚡

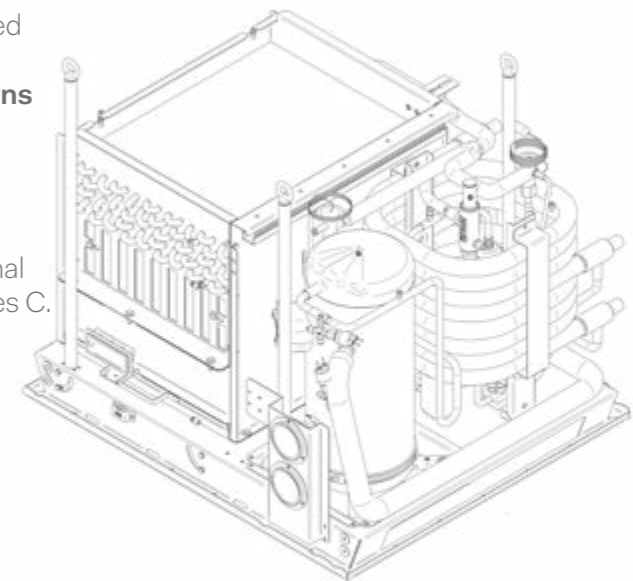
OPTIONAL

### HEAT PUMP\*: WP2 - WP3

This system makes it possible to heat tank water and maintain tank temperature constant with only 1/3 of the amount of energy required in conventional pot and utensil washers, **guaranteeing a reduction in consumptions by up to 43%.**

**Both models help minimize the steam released to create a more comfortable work environment** by maintaining an internal temperature closed to the value of 22 degrees C.

**Ventless Execution.**



\*WP2: available for models G-Evo 605 R, G-Evo 655 R, G-Evo 805 R, G-Evo 755 R  
WP3: available for models G-Evo 1005 R, G-Evo 1155 R, G-Evo 1255 R  
Not available for models G-Evo 50 and G-Evo 50 R



## COMPLETE YOUR UNITS

OPTIONAL

### "H" STANDS FOR EXTRA CLEARANCE

Our G-Evo compact pot and utensil washers do not accept compromises. **800mm clearance available** as an option for all front loading units.



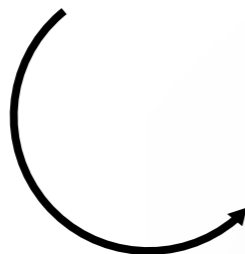
OPTIONAL

### FOLDING DOOR\*

We believe that every Comenda product should be meant to improve or simplify everyday's tasks.

**The new G-Evo folding door on front loading units allows for an easier access to the wash tank and quickens daily cleaning operations at the end of each shift.**

Thanks to the handy quick release system, the door will safely slide on the lateral guides and hang parallel to the lower panel of the machine, completely reducing its footprint!



\*For models G-Evo 605 R, G-Evo 655 R, G-Evo 805 R, G-Evo 1005 R, G-Evo 1155 R.



OPTIONAL

### WATER SOFTENERS

**Softened water reduces the risk of limescale buildup** that can badly affect the functionality and life span of your unit.

Furthermore, **improved hygiene through reduced detergent consumption will be granted.**



CS08



CS12

OPTIONAL

### SIDE LOADING & UNLOADING TABLES

G-Evo pot & utensils washers in side loading execution are the perfect solution to **handle high volumes and quicken operations.**

**Thanks to the side loading and unloading tables\***, soiled items can be racked and clean items removed while a washing cycle is on.

\*For models G-Evo755 R and G-Evo 1255 R only.





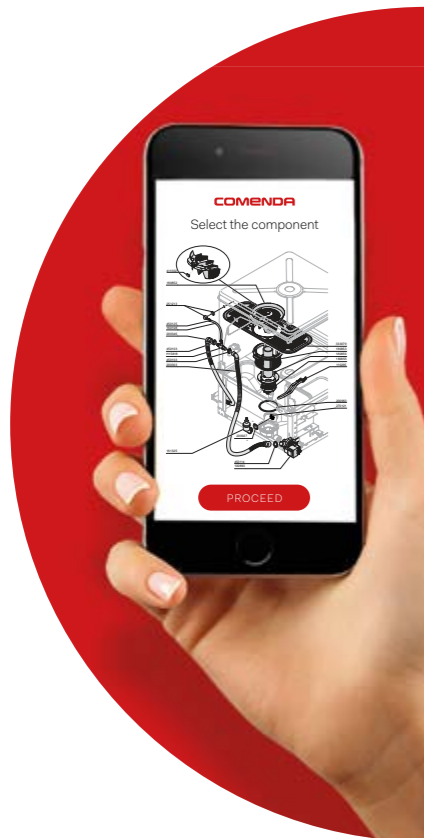
## AT YOUR SIDE SINCE 1963

As the spring board company of Ali Group, Comenda offers professional washing machines rigorously **"Made in Italy"**, according to the highest quality standards.

**Comenda solutions range from small-sized cup and glass washers for bars to large, automated, continuous feed systems for restaurants, hospitals, canteens and inflight catering.**

Our operational flexibility allows us to supply **tailor-made systems**, designed to meet individual space and operation requirements, without any limits on processing capacity, **granting the highest standards of hygiene.**

Championing exceptional performance, cost containment and highly energy efficient design since 1963



## ORIGINAL SPARE PARTS: JUST ONE CLICK AWAY!

You can order directly from our website and check real-time parts availability, **24 h a day and 7 days a week.**

On our website you can: **access and download** technical documentation on our machines (product manuals and detailed electrical and hydraulic schematics); find answers to the most frequently asked questions and **watch Comenda video tutorials.**



## SPEED. SERVICE. SOLUTIONS.



There's no time for downtime in your operation. That's why our products are designed to facilitate quick turnarounds and replacements.

**Comenda ensures rapid response and complete client service.**

Our extensive network of distributors and certified service providers are ready to assist when in need.



## NEVER STOP TRAINING

To support the ongoing training of our distributor and service network, we encourage our partners to attend our in-house, hands-on seminars. Ask our team for specific onsite training for operators and staff.



### TECHINCAL DATA

# G-Evo

Front loading

	G-EVO 50 <sup>•</sup> G-EVO 50 R <sup>•</sup>	G-EVO 605 R <sup>•</sup> G-EVO 655 R <sup>•</sup>	G-EVO 805 R <sup>•</sup>	G-EVO 1005 R <sup>•</sup> G-EVO 1155 R <sup>•</sup>
<b>EXTERNAL DIMENSIONS (AxBxC)</b> (mm)	751 x 810 x 1650 751 x 810 x 1850	861 x 900 x 1915/2065*	1021 x 900 x 1915/2065*	1531 x 900 x 1915/2065*
<b>OVERALL SIZE (DxD1)</b> (mm)	1330 x 1990 1330 x 2190	1240 x 2190/2340*	1240 x 2190/2340*	1240 x 2190/2340*
<b>RACK SIZE</b> (mm)	550 x 660	650 x 700	810 x 700	1320 x 700
<b>CLEARANCE (E)</b> (mm)	650 850	650/800*	650/800*	650/800*
<b>ELECTRICAL SUPPLY</b> (V)	400V/3N/50 Hz	400V/3N/50 Hz	400V/3N/50 Hz	400V/3N/50 Hz
<b>PROGRAM LENGHT</b> (sec)	120/240/360/480	120/240/360/480	120/240/360/480	120/240/360/480
<b>OUTPUT RACKS</b> (racks/h)	11/11/10/8 • 21/15/10/8 •	16/15/10/8 • 30/15/10/8 •	16/15/10/8 • 30/15/10/8 •	11/11/10/8 • 21/15/10/8 •
<b>RINSE WATER CONSUMPTION</b> (l/rack)	6	4	4	8
<b>TANK HEATER ELEMENT</b> (kW)	3	6	6	9
<b>BOOSTER HEATER</b> (kW)	6	6	6	9
<b>TANK SIZE</b> (l)	42	60 85	60	100 120
<b>WASH PUMP</b> (kW)	1,5	3 3	3	3+3 3+3
<b>INSTALLED LOAD</b> (kW)	7,5	9 9	9	15 15

- With RCD
- Not available with RCD
- Output racks - cold water connection (15°C)
- Output racks - hot water connection (55°C)
- \* "H" Execution - Extra Large clearance

### OPTIONAL

- Folding door
- Surcharge/kit for built-in drain pump;
- Surcharge/kit for built-in peristaltic detergent dosing pump;
- Surcharge/kit for built-in peristaltic rinse aid dosing pump;
- Surcharge for 9/14 kW booster;
- Steam heated execution;
- WP - Heat Pump;
- CRC - Heat Recovery Unit;
- External Water Softener;
- Special Voltages on request

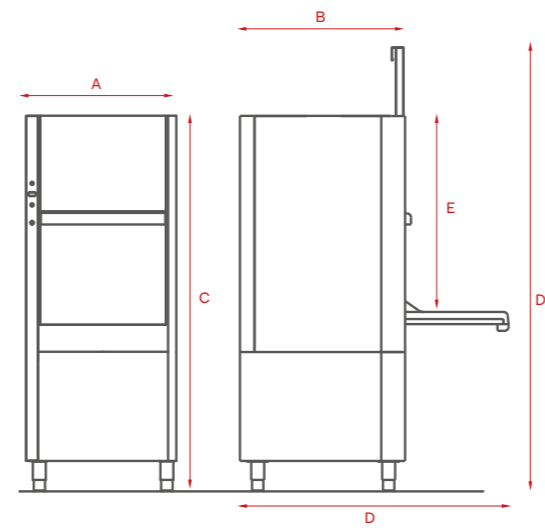


### TECHINCAL DRAWINGS

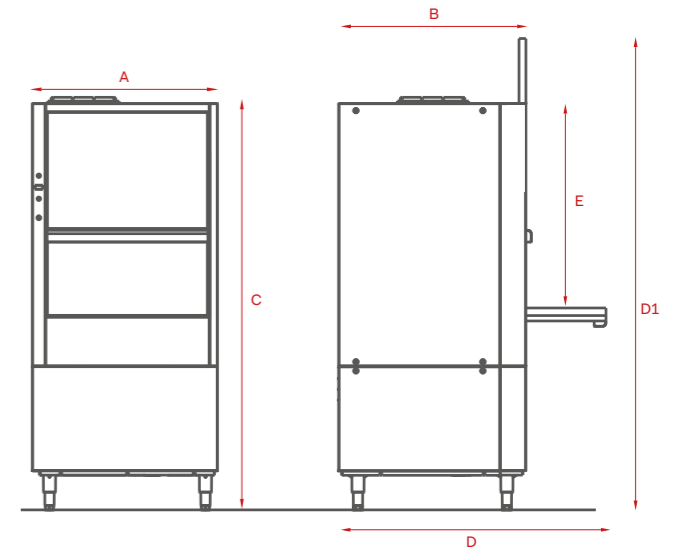
# G-Evo

Front loading

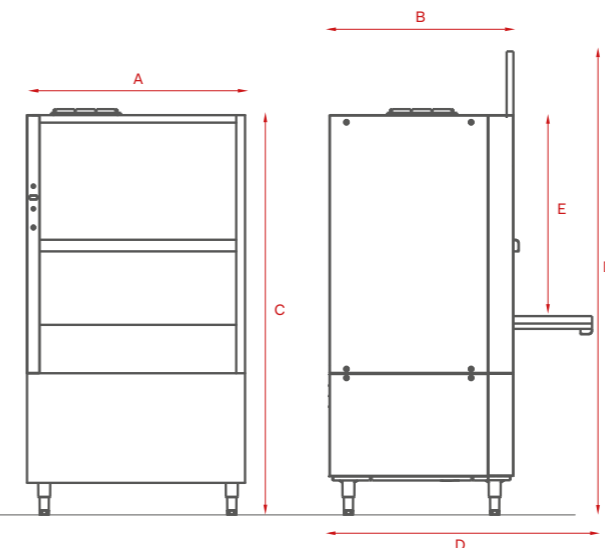
#### G-EVO 50 / G-EVO 50 R



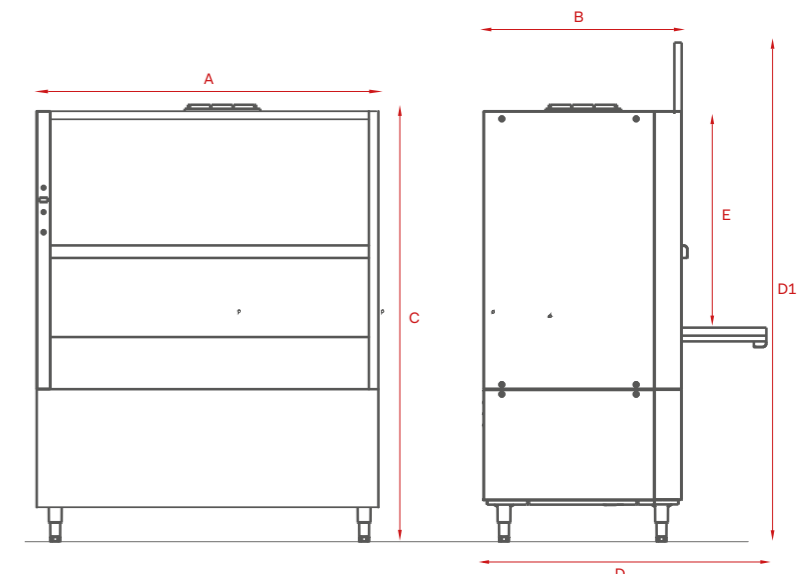
#### G-EVO 605 R / G-EVO 655 R



#### G-EVO 805 R



#### G-EVO 1005 R / G-EVO 1155 R



CRC Execution: machine height will increase by 300 mm  
 WP Execution: machine height will increase by 590 mm. Not available for models G-Evo 50 / G-Evo 50 R.



## TECHINCAL DATA

# G-Evo

Side loading

	G-EVO 755 R*	G-EVO 1255 R*
<b>EXTERNAL DIMENSIONS (AxBxC)</b> (mm)	860 x 1020 x 1900	1440 x 1020 x 1900
<b>OVERALL SIZE (DxD1)</b> (mm)	1110 x 2500	1130 x 2620
<b>RACK SIZE</b> (mm)	700 x 700	1320 x 700
<b>CLEARANCE (E)</b> (mm)	620 x 700	620 x 700
<b>ELECTRICAL SUPPLY</b> (V)	400V/3N/ 50Hz	400V/3N/50
<b>PROGRAM LENGHT</b> (sec)	120/240/360/480	120/240/360/480
<b>OUTPUT RACKS</b> (racks/h)	16/15/10/8 • 30/15/10/8 •	11/11/10/8 • 21/15/10/8 •
<b>RINSE WATER CONSUMPTION</b> (l/rack)	4	8
<b>TANK HEATER ELEMENT</b> (kW)	6	9
<b>BOOSTER HEATER</b> (kW)	6	9
<b>TANK SIZE</b> (l)	90	125
<b>WASH PUMP</b> (kW)	3	3+3
<b>INSTALLED LOAD</b> (kW)	9	15

- \* With RCD
- Output racks - cold water connection (15°C)
- Output racks - hot water connection (55°C)

## OPTIONAL

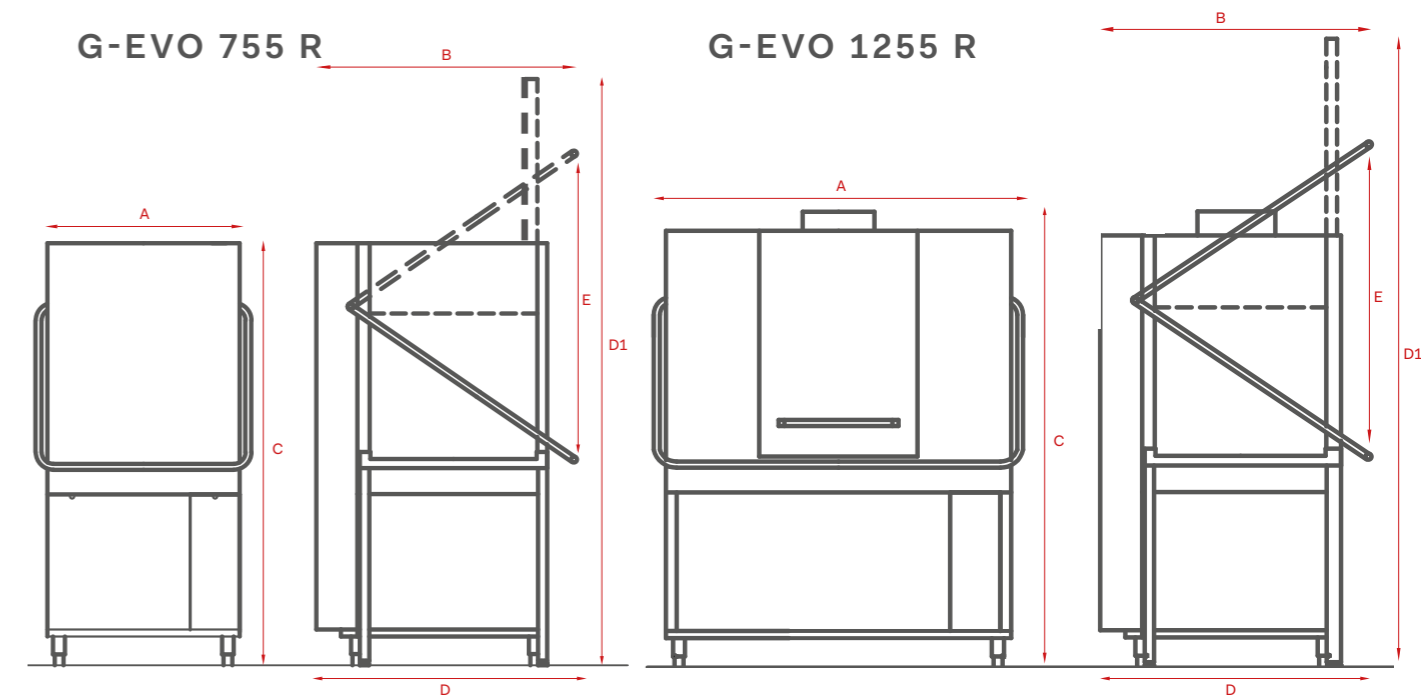
- Surcharge/kit for built-in drain pump;
- Surcharge/kit for built-in peristaltic detergent dosing pump;
- Surcharge/kit for built-in peristaltic rinse aid dosing pump;
- Surcharge for 9/14 kW booster;
- Steam heated execution;
- WP - Heat Pump;
- CRC - Heat Recovery Unit;
- External Water Softener;
- Special Voltages on request;
- 850 mm load/unload table EACH for model G-Evo 755 R
- 1450 mm load/unload table EACH for model G-Evo 1255 R



## TECHINCAL DRAWINGS

# G-Evo

Side loading



CRC Execution: machine height will increase by 300 mm  
 WP Execution: machine height will increase by 590 mm.

## CONTATTI

### Comenda Ali Group

Via Galileo Galilei 8  
20051 Cassina de' Pecchi (MI)

Italia

T +39 02 952281

[sales@comenda.eu](mailto:sales@comenda.eu)

[www.comenda.eu](http://www.comenda.eu)



Azienda con sistema di gestione qualità/ambiente certificato  
secondo le norme ISO9001 e ISO14001:2015.

*Comenda complies with ISO9001 quality management system  
and ISO14001:2015 environmental management system.*

Cod. 90002011122 - Con riserva di variazione delle caratteristiche tecniche. Foto non vincolanti.



an Ali Group Company



The Spirit of Excellence