

17
kW

POWERPROTECT
Standby Generators



YOU.POWERED.

RESIDENTIAL

Standby Generators



SPECIFICATIONS

OVERVIEW	
Brand	Briggs & Stratton®
Series Name	Power Protect™
Model Name	PP17
Model Number	040661
Rated AC Voltage (Volts)	120 / 240
Frequency (Hz)	60
Generator Breaker (Amps)	80
Operating Ambient Temperature (°C / °F)	-28 - 40 / -20 - 104
Running Amperage, Standby (LP / NG) (Amps)	70.8 / 70.8
Running Watts, Standby (LP / NG) (kW)	17 ¹ / 17
Power Factor	1.0
Exercise Duration	16 seconds
Engine	
Engine Brand/Manufacturer	Vanguard®
Model Type	M61
Aspiration	Naturally Aspirated
Speed (RPM)	3600
Displacement (ci/cc)	61 / 993
Compression Ratio	9.7:1
Governor Type	Electronic

17

kW

POWERPROTECT
Standby Generators
 RESIDENTIAL STANDBY GENERATORS SPECIFICATIONS



Engine	
Bore & Stroke (mm / in)	85.5 x 86.5 / 3.37 x 3.41
Cylinder Block	Aluminum with Cast Iron Sleeve
Valve Arrangement	OHV
Engine Cylinder Configuration	V
Number of Cylinders	2
Start Type	Automatic
Frequency Regulation Steady State, No Load to Full Load (%)	+/- 1.0
Air Filter Type	Dry
Low Oil Pressure Switch	Yes
Engine Oil Heater	Optional
Rated Temperature (°C / °F)	25 / 77
Sound Rating ²	
Low Idle Mode Sound dB(A)	65
Normal Operating Sound ² dB(A)	68
Lubrication System	
Type	Full Pressure
Oil Capacity (oz / L)	78 / 2.31
Oil Filter (Quantity / Type)	1 / Cartridge
Oil Brand	Schaeffer
Recommended Oil	5W30 Full Synthetic
Electrical System	
Ignition System	Variable Timing
Battery Quantity	1
Battery Voltage (VDC)	12
Battery CCA (Amps)	540
Battery Grouping Size	26 or 51
Starter Motor Voltage (VDC)	12
Fuel System	
Fuel Type	NG / LPV
Fuel Supply Line Inlet	3/4" NPT
Recommended Fuel, Lower Heating Value Minimum (MJ/m ³ / BTU/ft ³)	NG: 34.3 / 904 LPV: 87.1 / 2338
Fuel Supply Pressure (mbar / in H2O)	NG: 9-17 / 3.5-7 LPV: 28-34 / 11-14

17

kW

POWERPROTECT
Standby Generators
 RESIDENTIAL STANDBY GENERATORS SPECIFICATIONS



Fuel Consumption ³	
No Load, NG (BTU/hr)	99,000
No Load, NG (ft ³ /hr)	99
Half Load, NG (BTU/hr)	170,000
Half Load, NG (ft ³ /hr)	170
Full Load, NG (BTU/hr)	248,000
Full Load, NG (ft ³ /hr)	248
No Load, LP (BTU/hr)	100,000
No Load, LP (ft ³ /hr)	40
No Load, LP (gal/hr)	1.10
Half Load, LP (BTU/hr)	185,000
Half Load, LP (ft ³ /hr)	74
Half Load, LP (gal/hr)	2.1
Full Load, LP (BTU/hr)	295,000
Full Load, LP (ft ³ /hr)	118
Full Load, LP (gal/hr)	3.3
Alternator Specifications	
Alternator Type	Self-Excited, Rotating Field
Alternator Manufacturer	Briggs & Stratton
Frequency (Hz)	60
Phase	1
Insulation Rating (Class)	F
Designed Temperature Rise (°C)	105
Bearing (Quantity / Type)	1 / Sealed
Number of Poles	2
Voltage Regulator	Brushed / Electronic
Motor Starting Capability (kVA)	41 (35% Voltage Dip)
Total Harmonic Distortion (THD), NL to FL (%)	< 5
Controls/Instrumentation	
Controller	GC-1032
Charger	Stand Alone
Starting	AMF or 2-wire
LED Digital Display	Yes
Alternator Frequency	Yes
Real Time Clock	Yes
Engine Hour Counter	Yes
Engine Runtime Scheduler	Yes

17

kW

POWERPROTECT
Standby Generators
 RESIDENTIAL STANDBY GENERATORS SPECIFICATIONS



Controls/Instrumentation	
Low Oil Pressure Shutdown	Yes
High Temperature Shutdown	Yes
Fault Code Display	Yes
Other Features	
Battery Rack and Cables	Yes
Fuel Solenoid Valve	Yes
Integral Vibration Isolation	Yes
Oil Drain Extension	Yes
Operation and Installation Manual(s)	Yes
Enclosure	Aluminum
Wind Speed Rating (mph)	186
Accessories	
Maintenance Kit	6872
Oil Warmer	6840
Fuel Regulator Warmer	6845
Surge Protector	6631
Gateway	6520
UPS	6581
InfoHub™ Universal - Cellular	6574
Gateway Range Extender	6839
Limited Warranty⁴	
Warranty: Generator, Domestic & Canada (Parts / Labor / Travel) – Years	6
Warranty: Generator, International (Parts / Labor / Travel) – Years/Hours	3 / 1000
Warranty: Enclosure, Surface Rust and Corrosion (Parts / Labor / Travel) – Years	1
Warranty: Enclosure, Rust Through (Parts / Labor / Travel) – Years	3
Certifications	
UL	Yes
cUL	Yes
Massachusetts Plumbers and Gasfitters Listing	Yes

17

kW

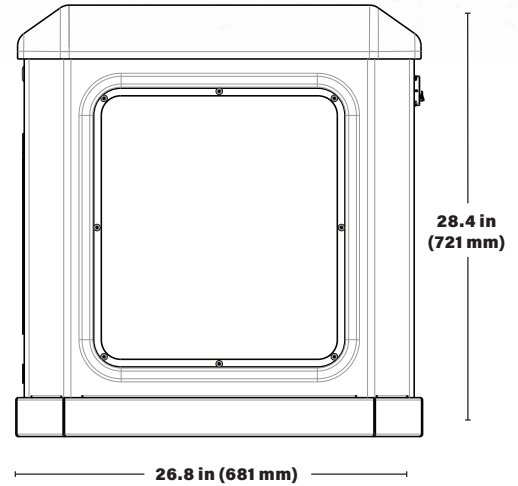
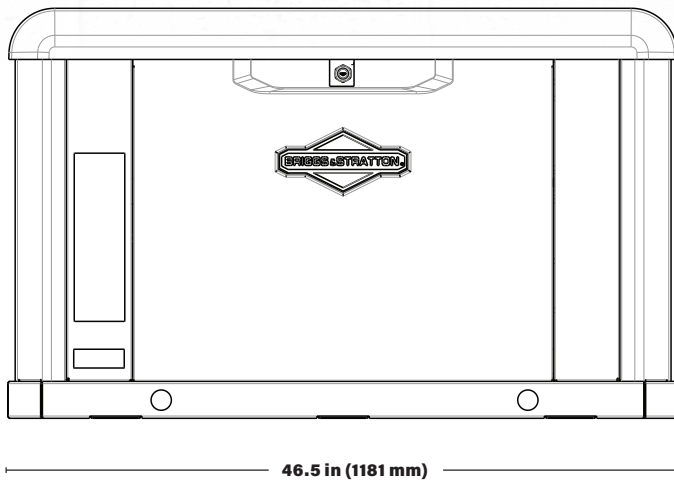
POWERPROTECT[®]

Standby Generators

RESIDENTIAL STANDBY GENERATORS SPECIFICATIONS



Weights & Dimensions	
Assembled Dimensions (Length x Width x Height) (in / mm)	46.5 x 26.8 x 28.4 / 1181 x 681 x 721
Assembled Weight (lbs / kg)	435 / 200
Packaged Dimensions (Length x Width x Height) (in / mm)	48.8 x 30.5 x 50.5 / 1240 x 775 x 1283
Packaged Weight (lbs / kg)	520 / 240
Outline and Pad Layout Drawing	80104066



¹ This generator is rated in accordance with UL (Underwriters Laboratories) 2200 (stationary engine generator assemblies) and CSA (Canadian Standards Association) standard C22.2 No. 100-14 (motor and generators).

² Per ISO 3744. Sound level measurement at other locations around generator may differ depending on installation, based on lowest microphone at 7m. Normal operation based on average household usage.

³ Fuel consumption rates are estimated based on normal operating conditions. Generator operation may be greatly affected by elevation and the cycling operation of multiple electrical appliances – fuel flow rates may vary depending on these factors.

⁴ See operator's manual or BRIGGSandSTRATTON.com for complete warranty details.

Briggs & Stratton has a policy of continuous product improvement and reserves the right to modify its specifications at any time and without prior notice.

This standby generator is not for Prime Power applications.

Published August 2021. Please visit BRIGGSandSTRATTON.com for the latest information.

BS1304 - 8/21

BRIGGS & STRATTON
POST OFFICE BOX 702
MILWAUKEE, WI 53201 USA

Copyright © 2021 Briggs & Stratton. All rights reserved.