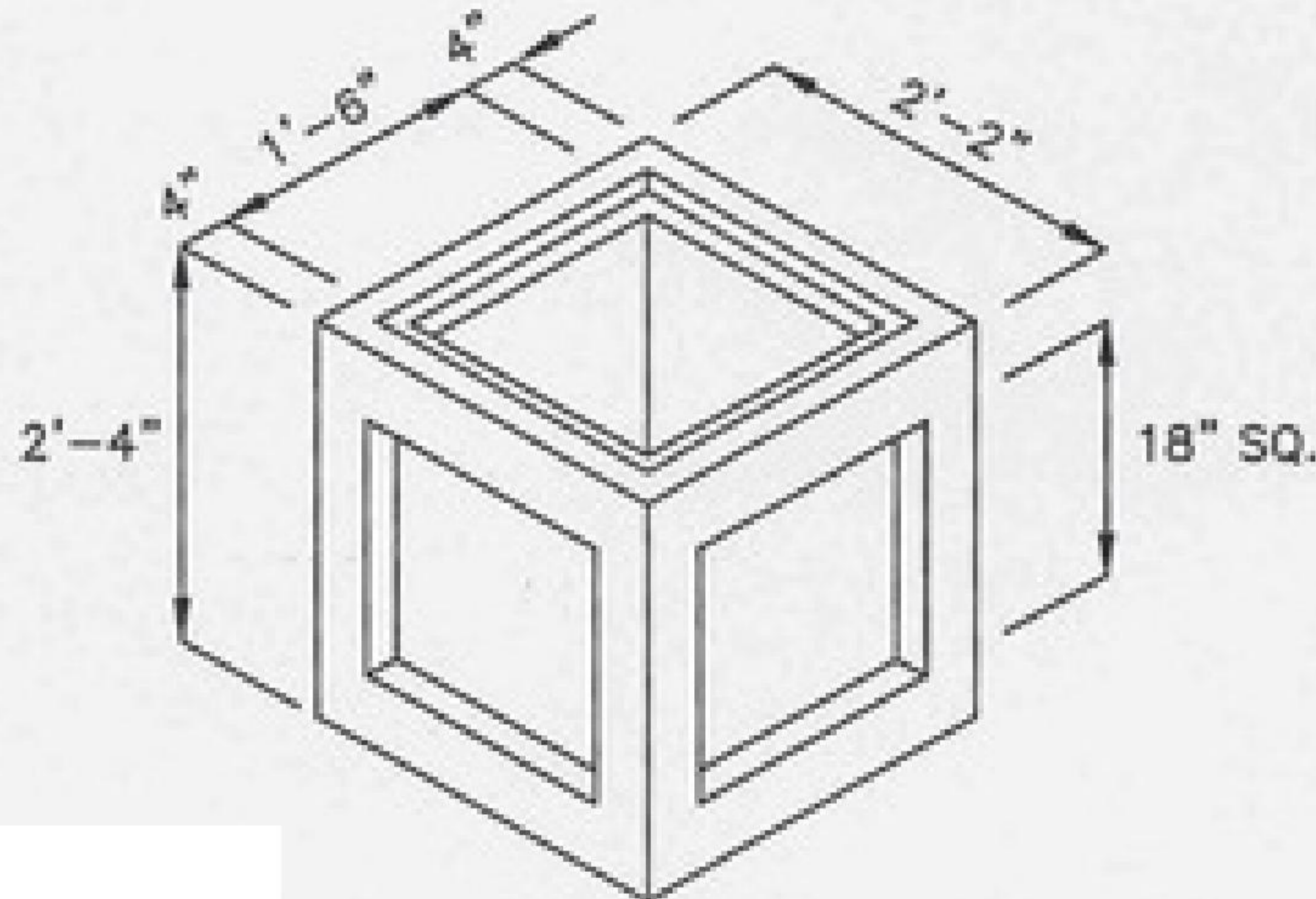
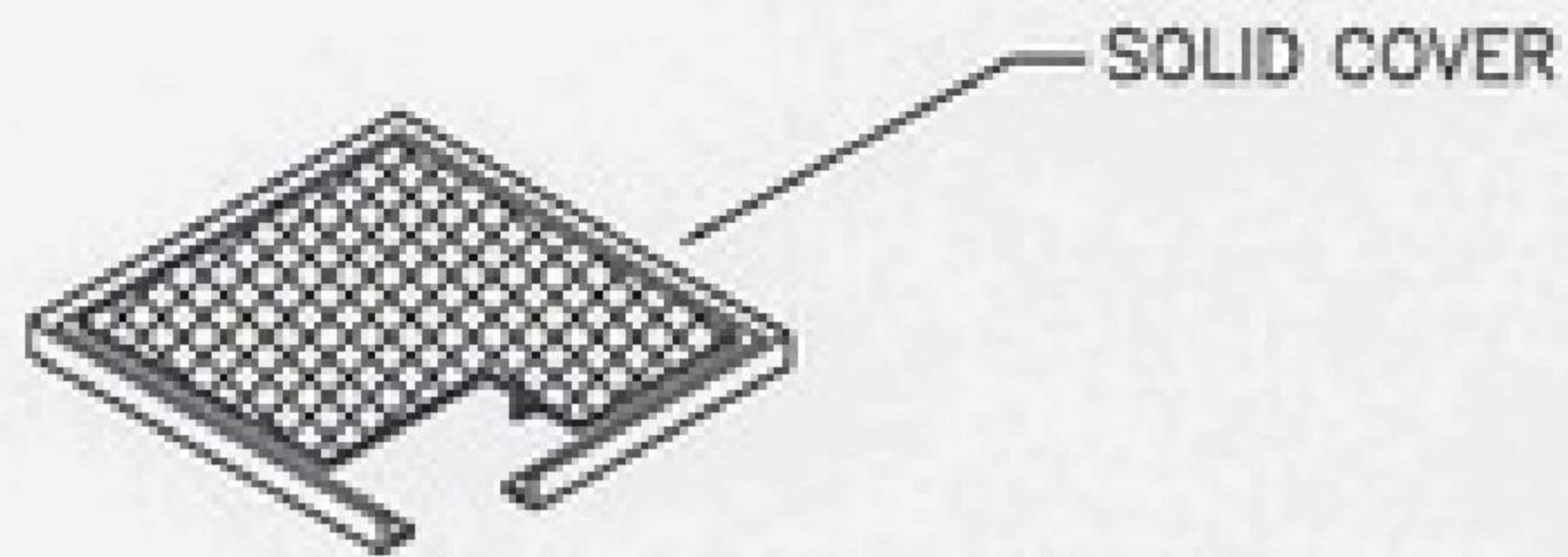


1 x 2 x 2 Handhole

1. CONCRETE: 4500 PSI
2. REINF.: GRADE 60
3. H-20 LOADING
4. KNOCK OUTS, PULL IRONS, TERMINATORS AND SUMP MAY BE LOCATED AS SPECIFIED

WT.
2'--2100#
3'--2730#



REVISIONS:

DATE:

APPROVED FOR PRODUCTION:

FILE NAME:

DR:

DATE: **October 18, 2011**

1x2x2handhole.pdf

CK:

JOB NO.: