

PRECON PRECAST, LLC
 6868 FM 730 SOUTH
 AZLE, TX 76020

817-448-9718 OFFICE
 817-448-9886 FAX
 frank@preconprecast.com

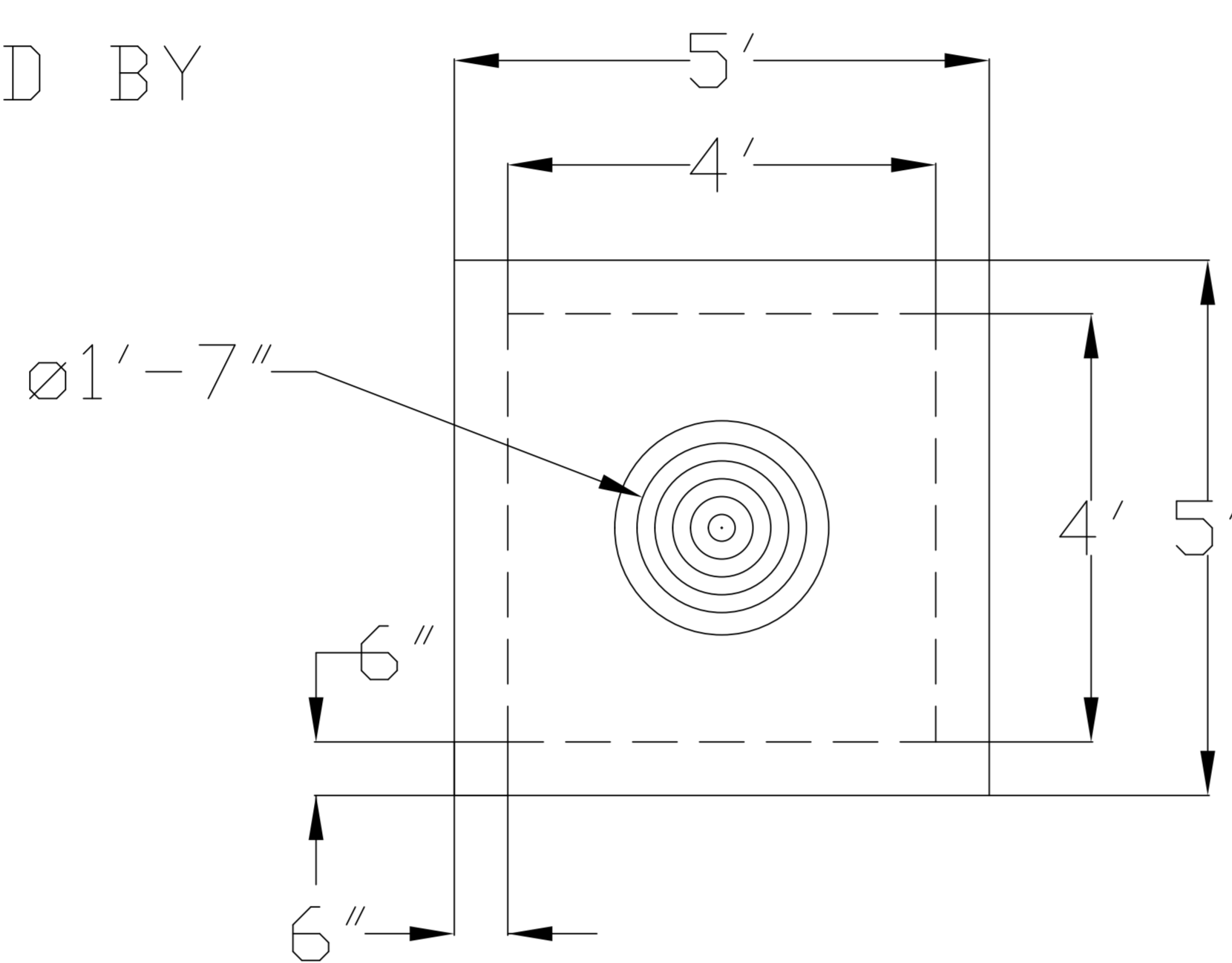
1

4' x 4' MANHOLE w/VARIABLE HEIGHT

General Notes: 1. Unit comes with interior piping installed.
 2. Inflow section of unit must be filled with at least 14.5" of clear water prior to use.

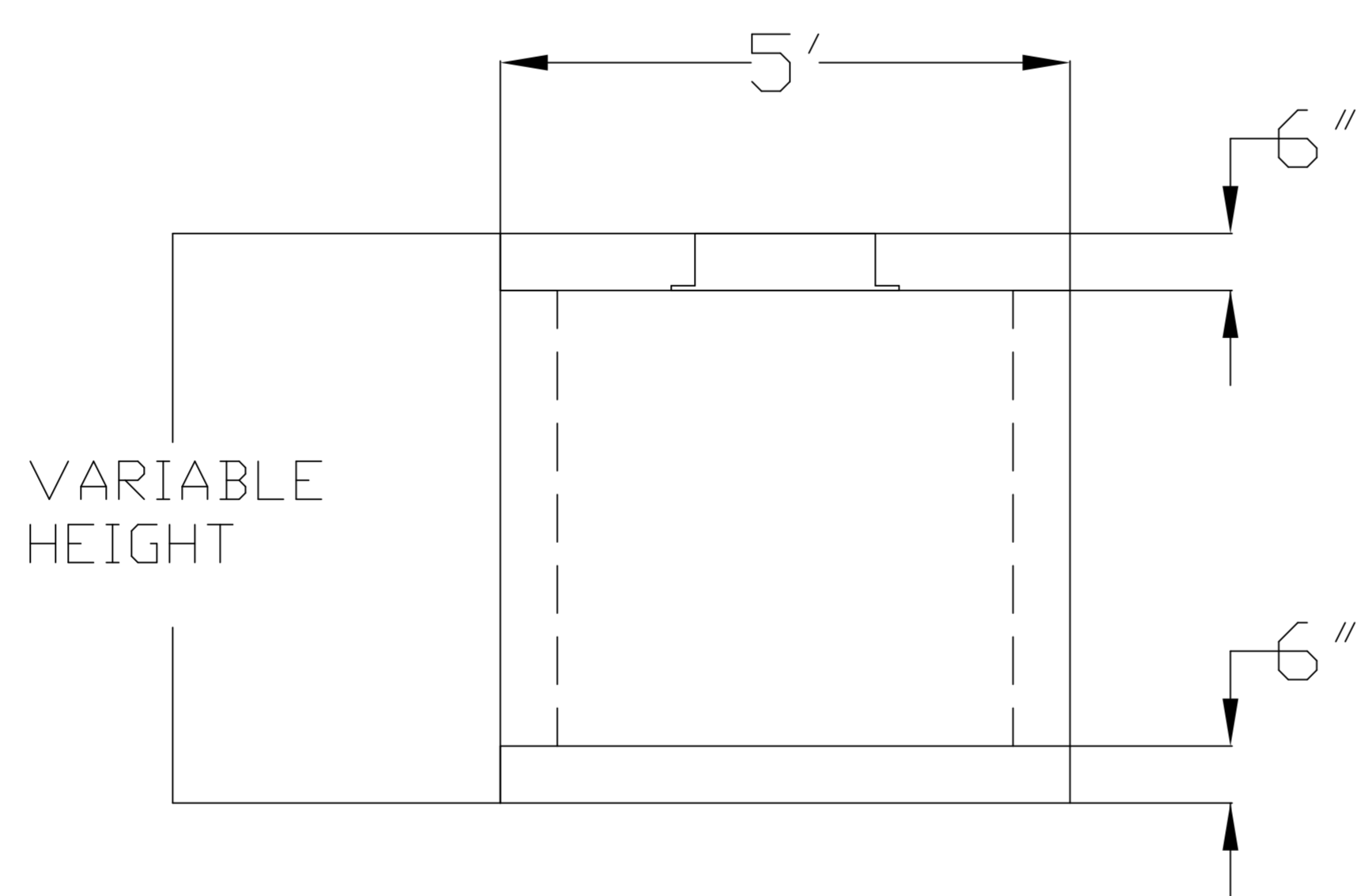
Specifications: 1. Concrete has design strength of 5,000psi @ 28 days. 2. Steel reinforcement: ASTM A-615, grade 60 ASTM A-497 welded wire fabric. 3. Designed for H2O loading. 4. CI Casting: ASTM A-48, class 30/35.

CAST IN RING AND COVER AS REQUIRED BY CUSTOMER. (DOORS OPTIONAL)



SLAB TOP 1852#

TOP VIEW



BOTTOM SECTION
 6000#
 EXTENSIONS 1340#
 (per ft)

SIDE VIEW

KNOCK OUTS,PULL IRONS,TERMINATORS & SUMP MAY BE LOCATED AS SPECIFIED.

4X4manolevh.dwg	APPROVED FOR PRODUCTION	AUTHORIZED BY
	DATE:	PRINT:
	JOB TITLE:	SIGN:
FILE NAME:		