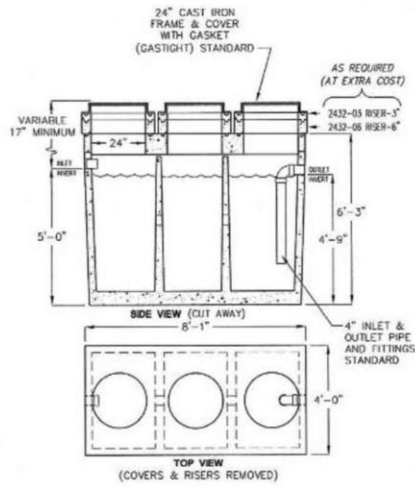


## 750 GALLON CLARIFIER



LIQUID CAPACITY: 750 GALLONS

DESIGN LOAD: No TRAFFIC FROM & TO # OF SOIL COVERS.

PRECOR Precast Concrete Products, LLC  
 680 FM 730 South      office 817-446-9710  
 Aisle 11, 76220      fax 817-446-9992      hank@precorcast.com