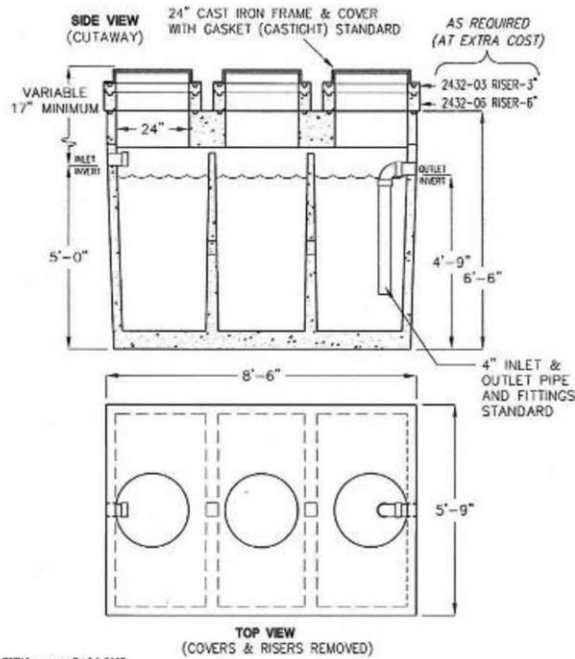


1200 GALLON CLARIFIER



LIQUID CAPACITY: 1,200 GALLONS

DESIGN LOAD: H-20 TRAFFIC FROM 1' TO 6" OF SOIL COVER.

PRECON Precast Concrete Products LLC
 686 FM 130 South office 972-446-9710
 Aisle 71, 7600 fax 972-446-9999
 hank@preconcast.com