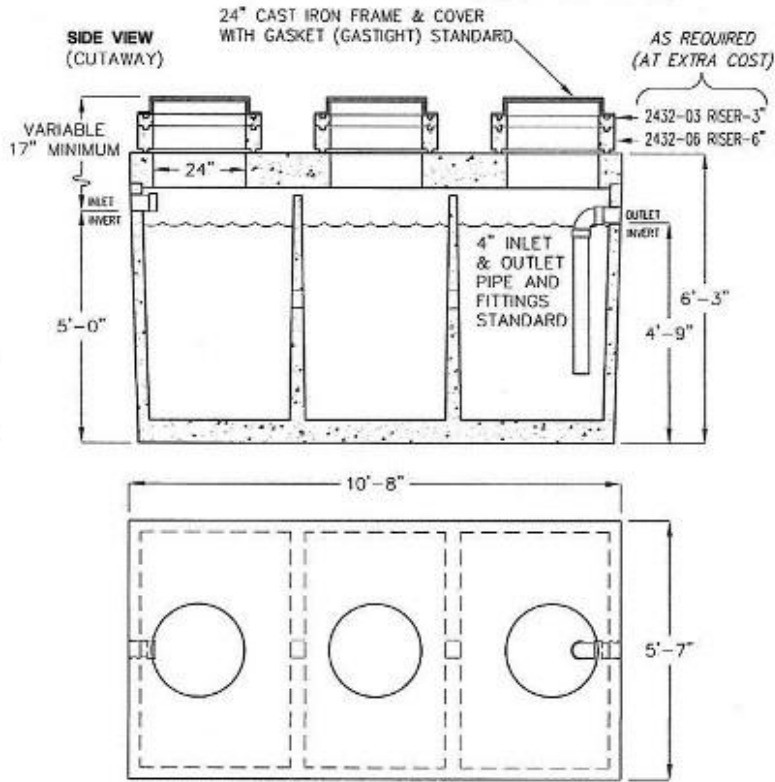


1500 GALLON CLARIFIER



LIQUID CAPACITY: 1500 GALLONS (COVERS & RISERS REMOVED)

DESIGN LOAD: H-20 TRAFFIC FROM 12" TO 18" OF SOIL COVER.

FOR COMPLETE DESIGN AND PRODUCT INFORMATION CONTACT PRECON PRECAST.

PRECON Precast LLC

817 448 9718