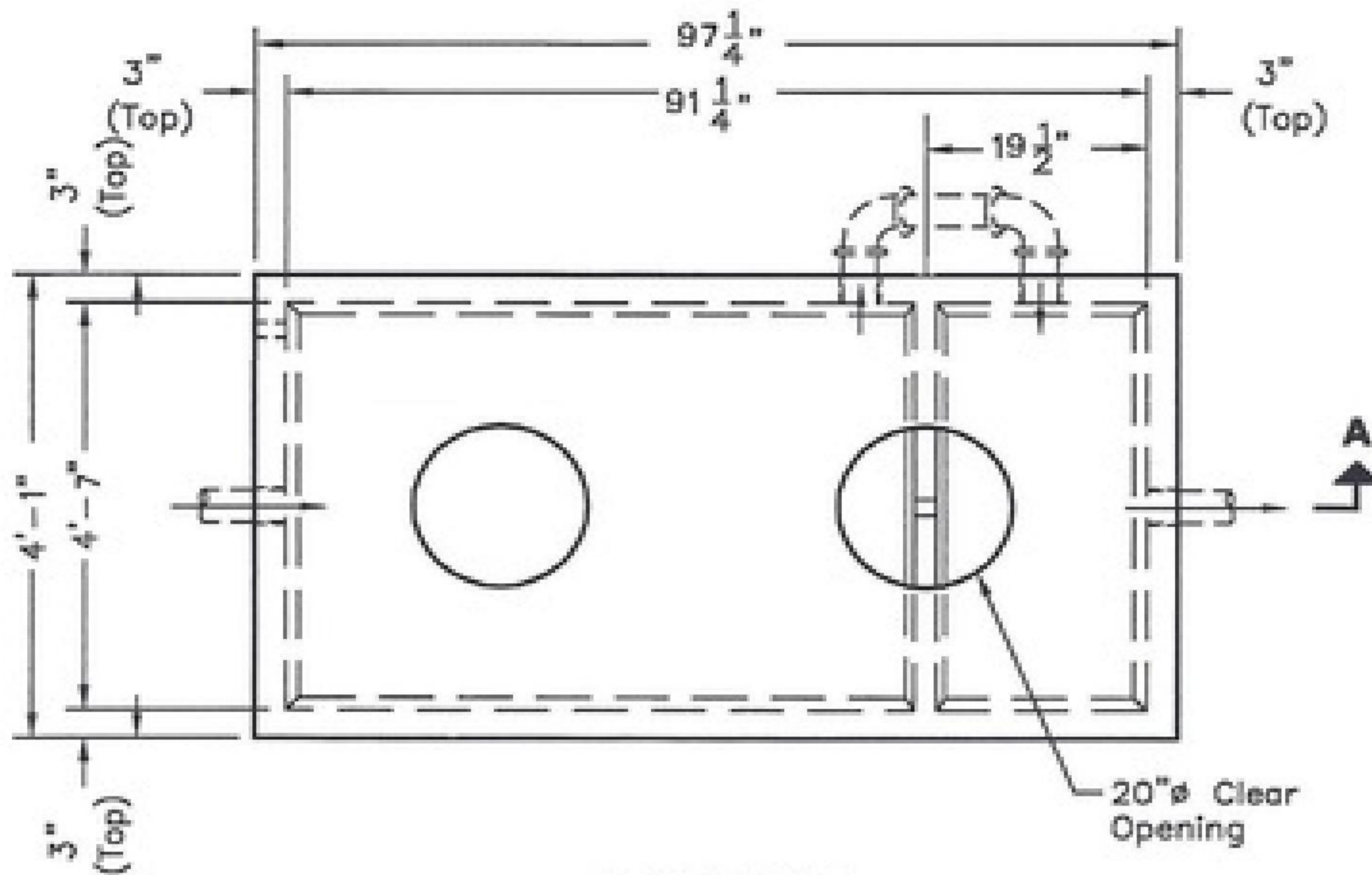


Description:

1000 Gallon Sand Trap

Note:



PLAN VIEW

SPECIFICATIONS:

1. Concrete: Has a Design Strength of 5,000 psi at 28 Days.
2. Steel Reinforcement: ASTM A-615, Grade 60 or ASTM A-497 Welded Wire Fabric.
3. Loading: Designed for H2O Loading.
4. C.I. Castings: ASTM A48, Class 30/35.

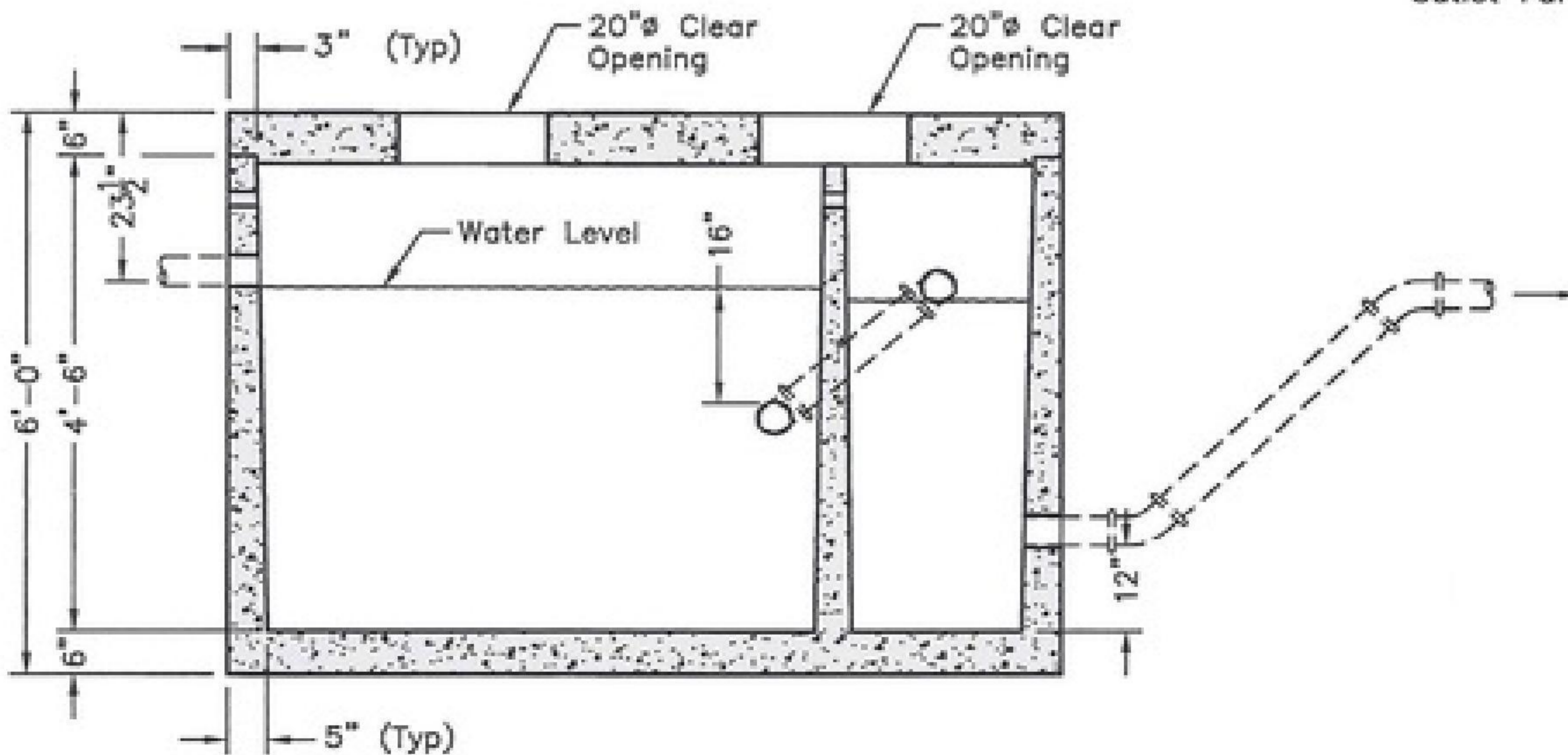
GENERAL NOTES:

1. Unit Comes with Interior Inflow Piping Installed.

FEATURES:

4" P.V.C. Double Hub Inlet Furnished.

4" P.V.C. Half Hub Outlet Furnished.



SECTION A-A

File Name:

1000galsandtrap.pdf

Approved For Production

Date:

Job Title:

Authorized By

Print:

Sign: