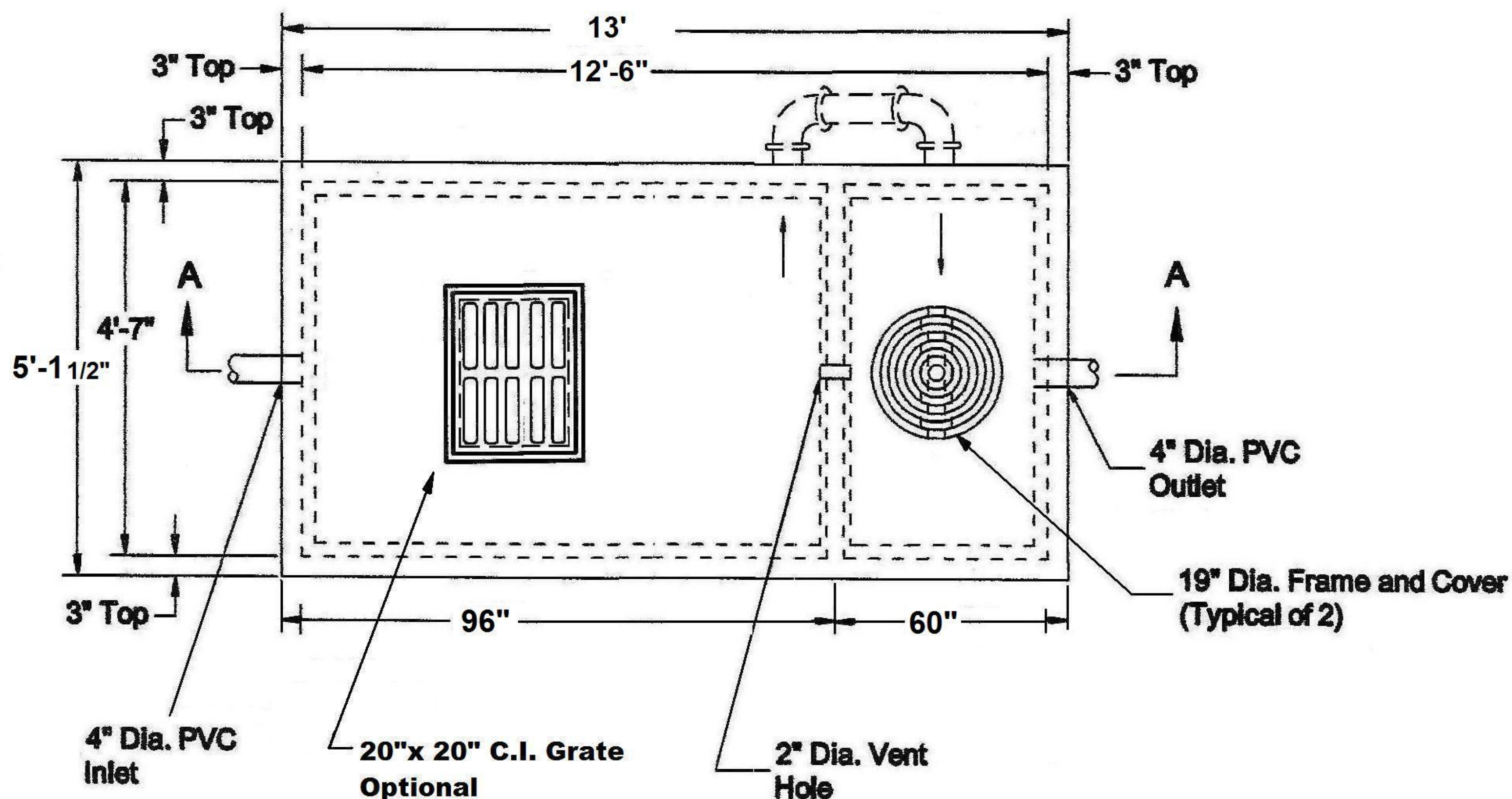


2000 Gallon Sand Oil Interceptor

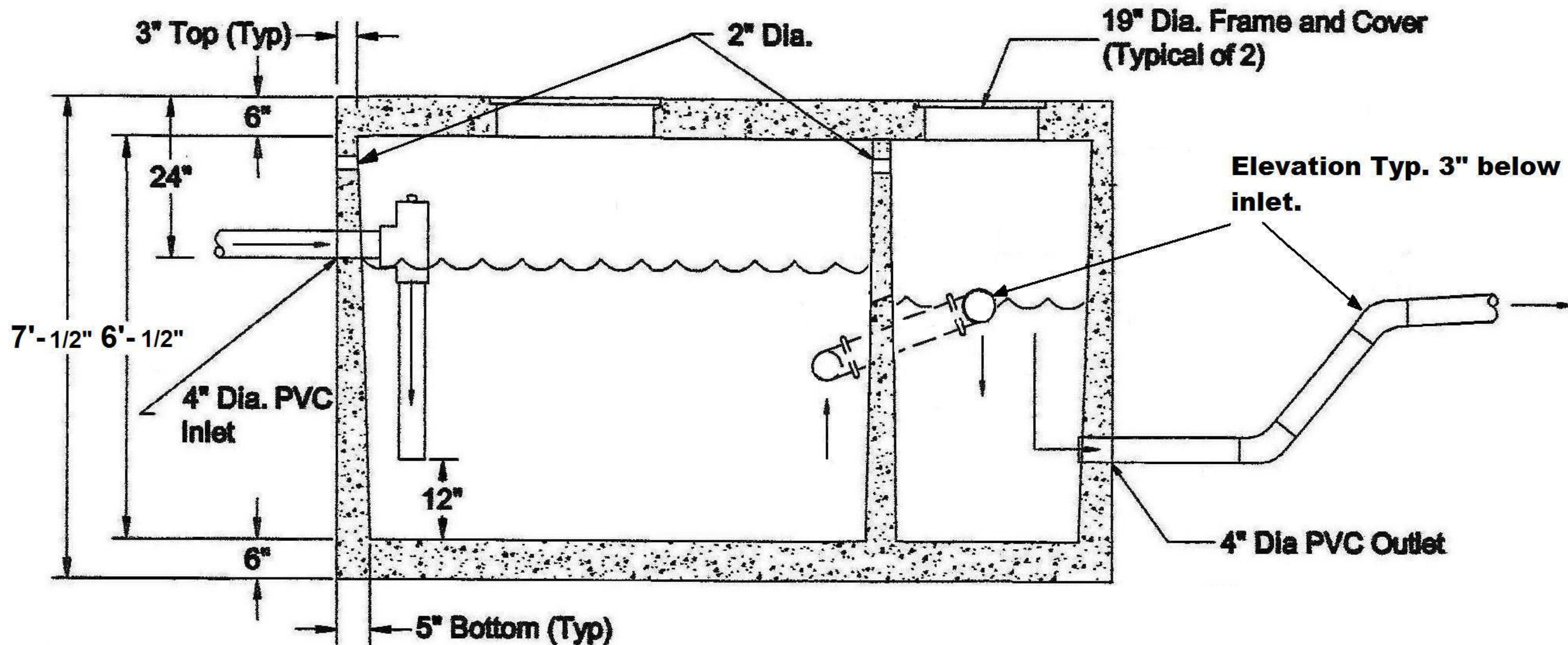
NOTE:

SAND-OIL INTERCEPTOR SCHEDULE

MODEL NO.	CAPACITY USGal	OIL CAP. USGal	EMPTY WT. (LBS)	LENGTH	WIDTH	HEIGHT	INLET FROM TOP OF LID	OUTLET FROM BOTTOM OF TANK
SOI-500	500	250	9,000	4'-6"	4'-7.5"	5'-6"	24"	12"
SOI-1000	1000	500	12,000	7'-6"	4'-7.5"	6'	24"	12"
SOI-1500	1500	750	15,000	11'-.25"	4'-7.5"	6'	24"	12"
SOI-2000	2000	1000	18,000	12'-6"	4'-7.5"	6'-5"	24"	12"



PLAN VIEW



SECTION A-A

REVISIONS:

DATE:

APPROVED FOR PRODUCTION:

FILE NAME:

DR:

DATE:

October 9, 2011

2000galsandoil
interceptor.pdf

CK:

JOB NO.: