

3' 0" x 3' 0" Grate Inlet

NOTE:

ALL CONCRETE SHALL HAVE A 28 DAY COMPRESSIVE STRENGTH OF 4500 psi.

REINFORCING STEEL SHALL COMPLY WITH ASTM A615 GRADE 60, A706 GRADE 60 OR A497 GRADE 70. BAR BENDING AND PLACEMENT SHALL COMPLY WITH THE LATEST ACI STANDARDS

STANDARD STRUCTURAL DESIGN IS BASED ON AASHTO HS 20 WHEEL LOADING

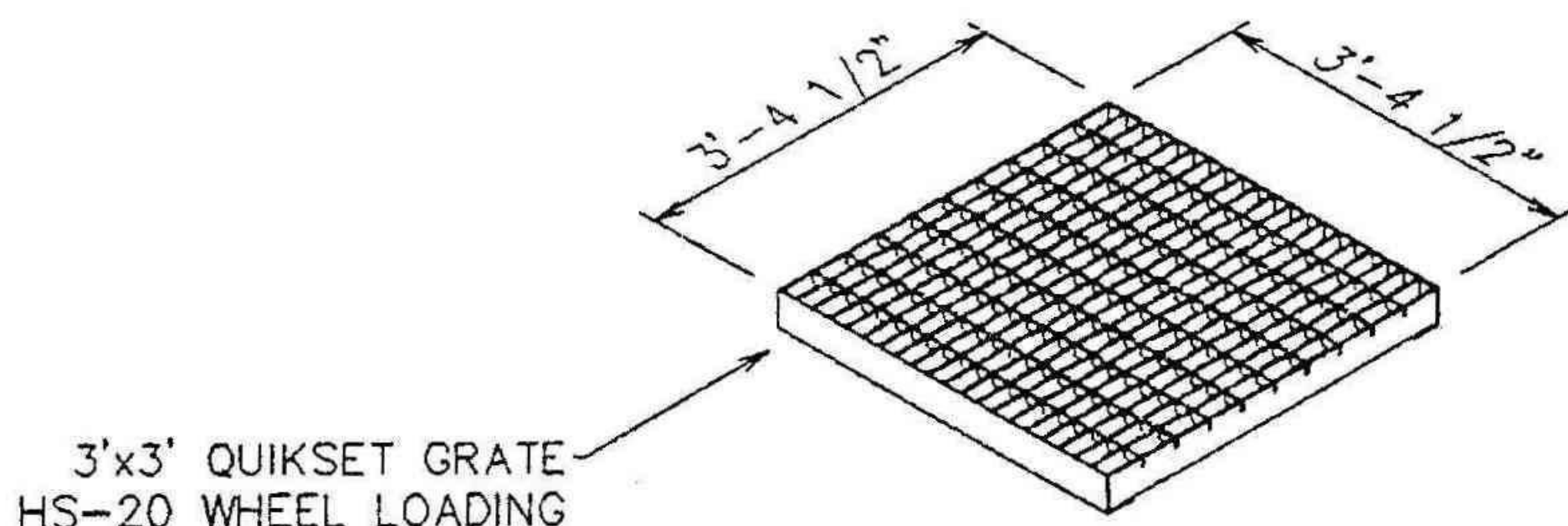
WATER TABLE IS AT 3'-0" BELOW GRADE FOR STANDARD STRUCTURAL DESIGN

THE STANDARD DESIGN IS BASED ON THE TOP AT GRADE AND THE BASE AT 8'-0" MAX. BELOW GRADE.

THE STRUCTURE SHALL BE PLACED ON A COMPACTED GRANULAR BASE TO INSURE UNIFORM DISTRIBUTION OF SOIL PRESSURES.

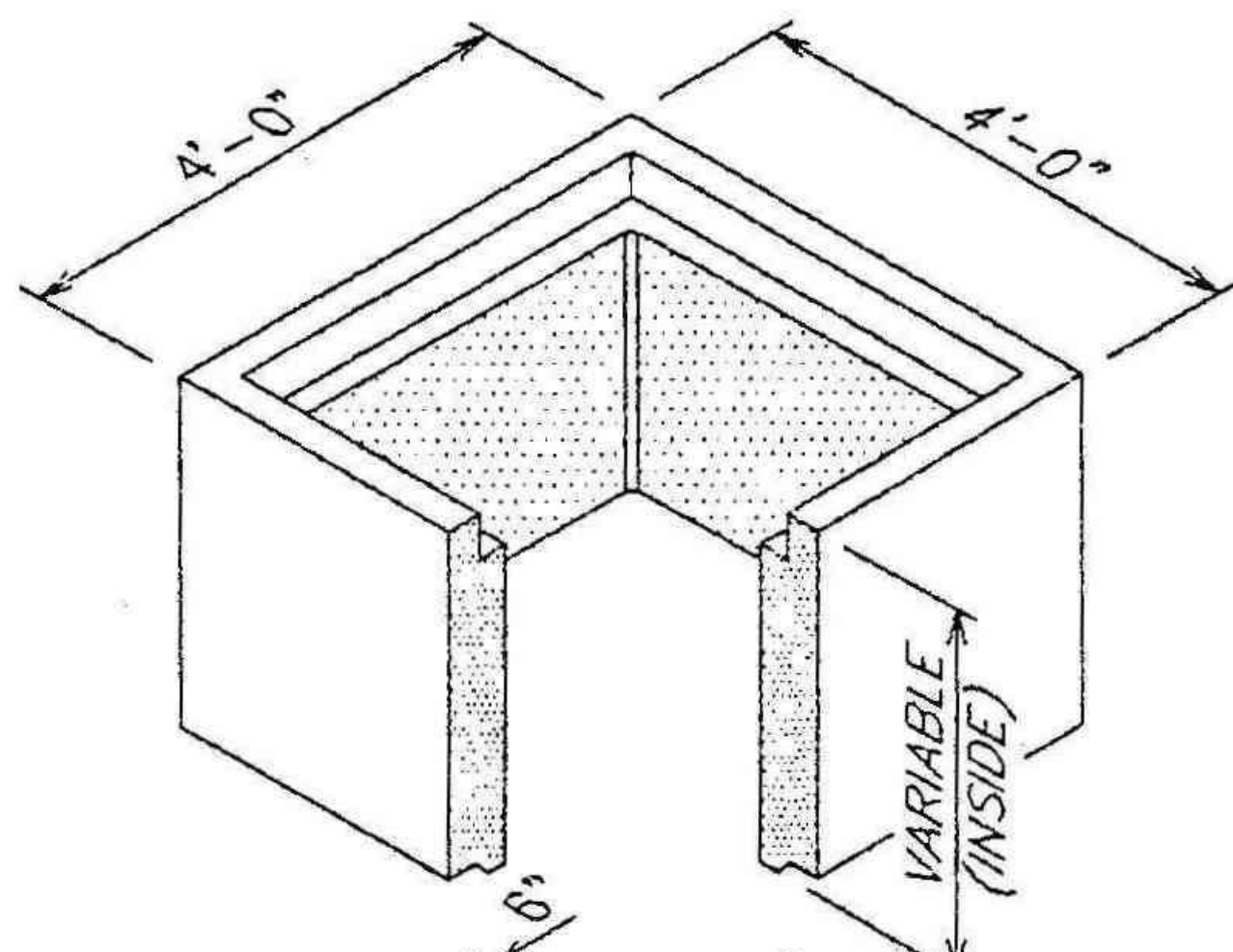
SPECIAL DESIGNS BASED ON OTHER LOADINGS OR DEEPER INSTALLATION DEPTHS ARE AVAILABLE ON REQUEST.

KNOCKOUTS, OR PIPE OPENINGS CAN BE PROVIDED IN THE SIZE AND LOCATIONS REQUIRED.



3'x3' QUIKSET GRATE  
HS-20 WHEEL LOADING

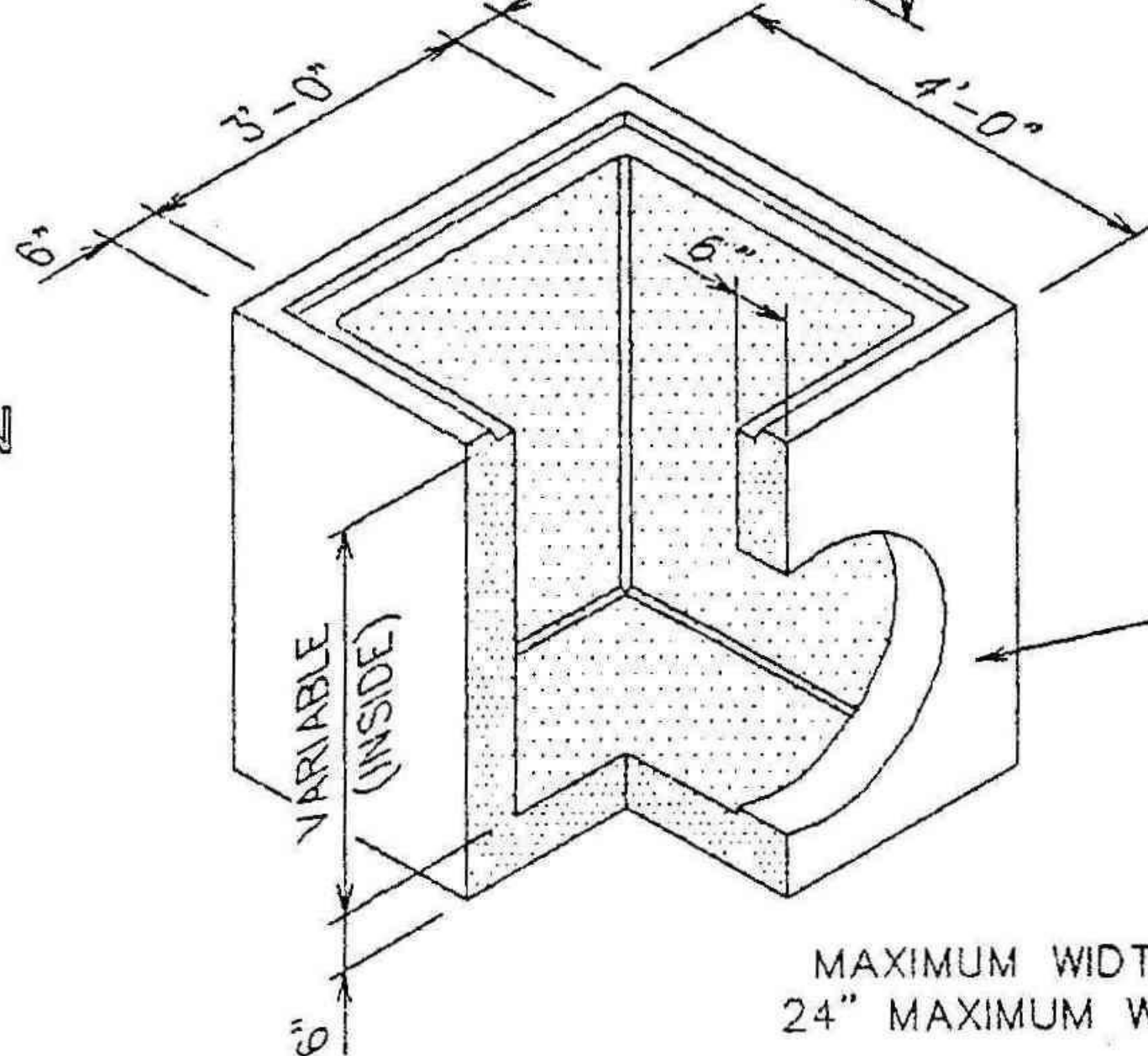
CENTER SECTION



APPROXIMATE CENTER SECTION WEIGHTS

2'-0" INSIDE	2200 LBS.
2'-6" INSIDE	2700 LBS.
3'-0" INSIDE	3200 LBS.
3'-6" INSIDE	3700 LBS.
4'-0" INSIDE	4300 LBS.

BOTTOM SECTION



APPROXIMATE BOTTOM WEIGHTS

2'-0" INSIDE	3400 LBS.
2'-6" INSIDE	3900 LBS.
3'-0" INSIDE	4400 LBS.
3'-6" INSIDE	4900 LBS.

MINIMUM EXCAVATION  
6'-0" x 6'-0"

PIPE OPENING SIZE AND LOCATION AS REQUIRED

MAXIMUM WIDTH OPENING IS 36" WITH 24" MAXIMUM WIDTH IN ADJACENT WALL.

REVISIONS:

DATE:

APPROVED FOR PRODUCTION:

FILE NAME:

DR:

DATE:

October 10, 2012

3x3grateinlet.pdf

CK:

JOB NO.: