

4' 0" x 4' 0" Grate Inlet

NOTE:

ALL CONCRETE SHALL HAVE A 28 DAY COMPRESSIVE STRENGTH OF 4500 psi.

REINFORCING STEEL SHALL COMPLY WITH ASTM A615 GRADE 60, A706 GRADE 60 OR A497 GRADE 70. BAR BENDING AND PLACEMENT SHALL COMPLY WITH THE LATEST ACI STANDARDS

STANDARD STRUCTURAL DESIGN IS BASED ON AASHTO HS 20 WHEEL LOADING

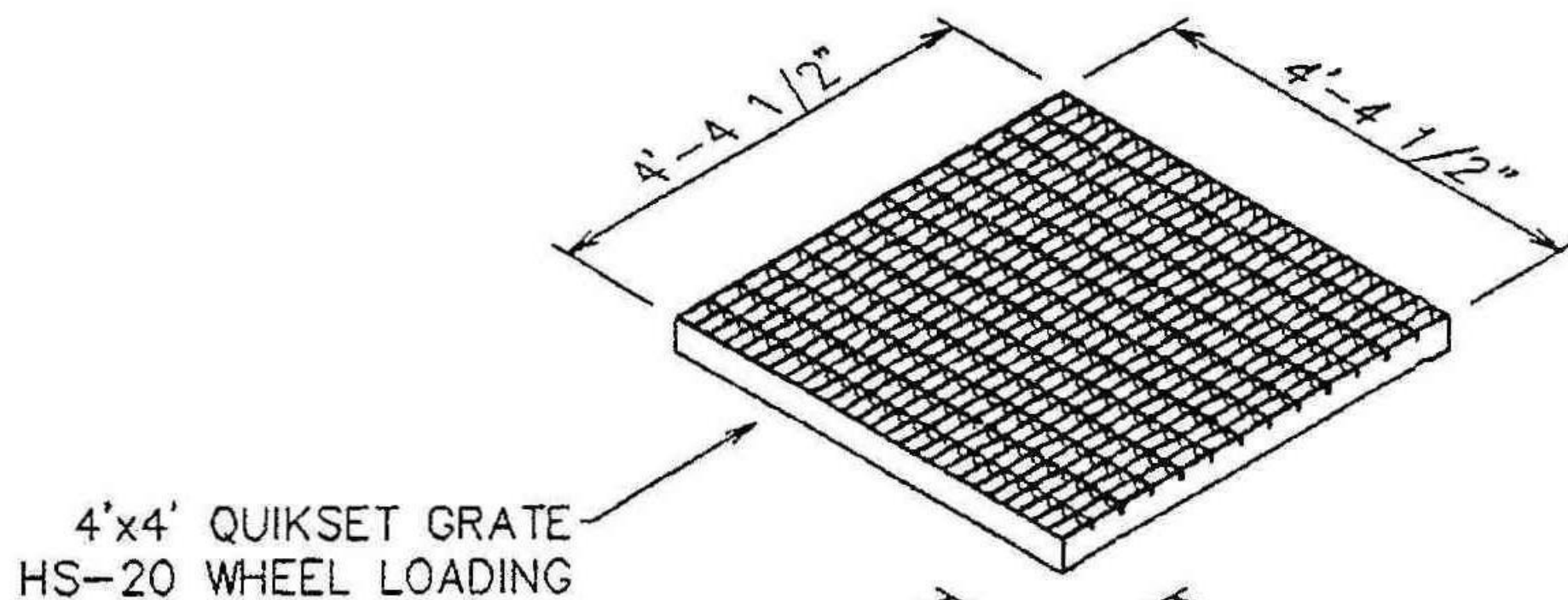
WATER TABLE IS AT 3'-0" BELOW GRADE FOR STANDARD STRUCTURAL DESIGN

THE STANDARD DESIGN IS BASED ON THE TOP AT GRADE AND THE BASE AT 8'-0" MAX. BELOW GRADE.

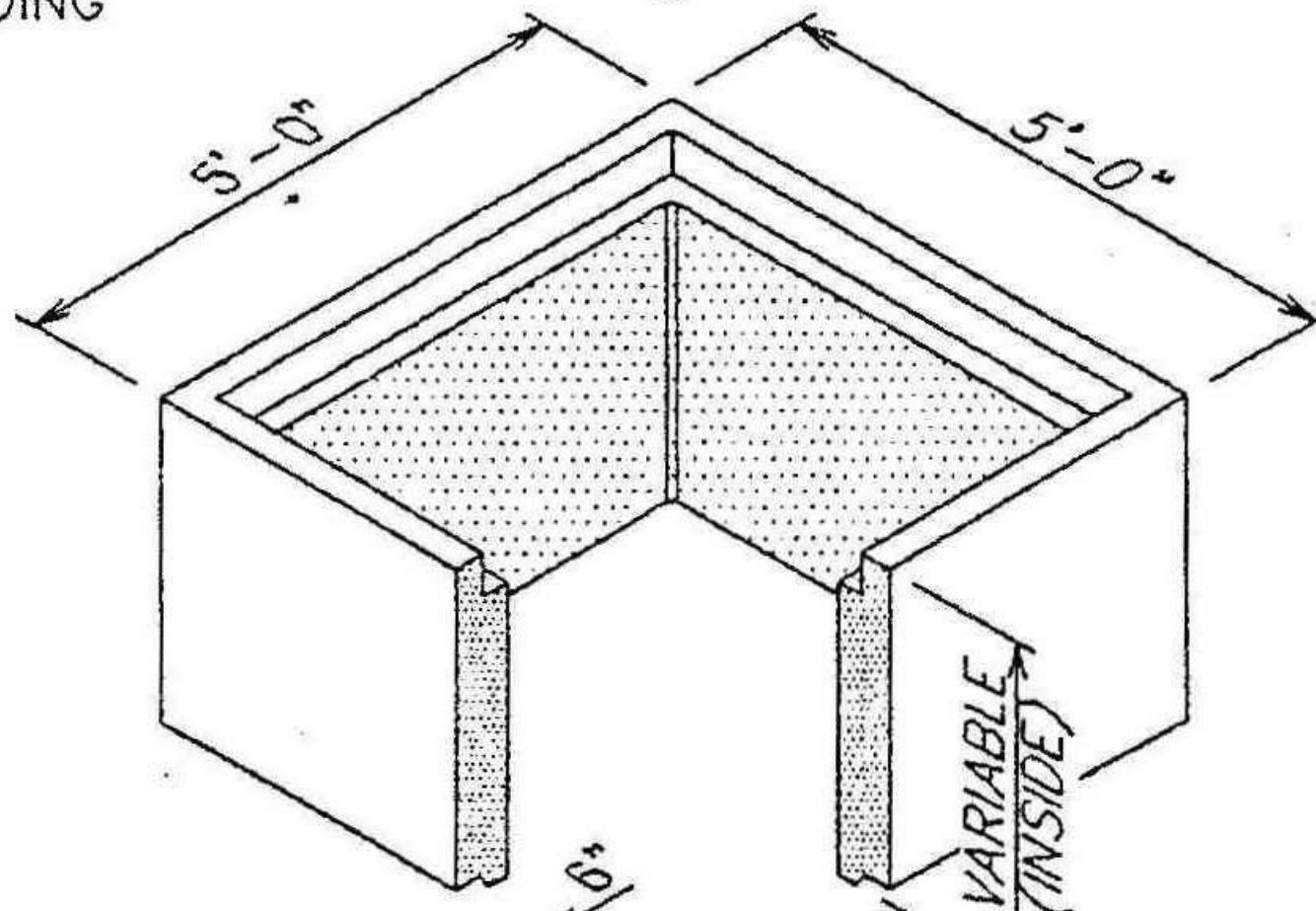
THE STRUCTURE SHALL BE PLACED ON A COMPACTED GRANULAR BASE TO INSURE UNIFORM DISTRIBUTION OF SOIL PRESSURES.

SPECIAL DESIGNS BASED ON OTHER LOADINGS OR DEEPER INSTALLATION DEPTHS ARE AVAILABLE ON REQUEST.

KNOCKOUTS, OR PIPE OPENINGS CAN BE PROVIDED IN THE SIZE AND LOCATIONS REQUIRED.



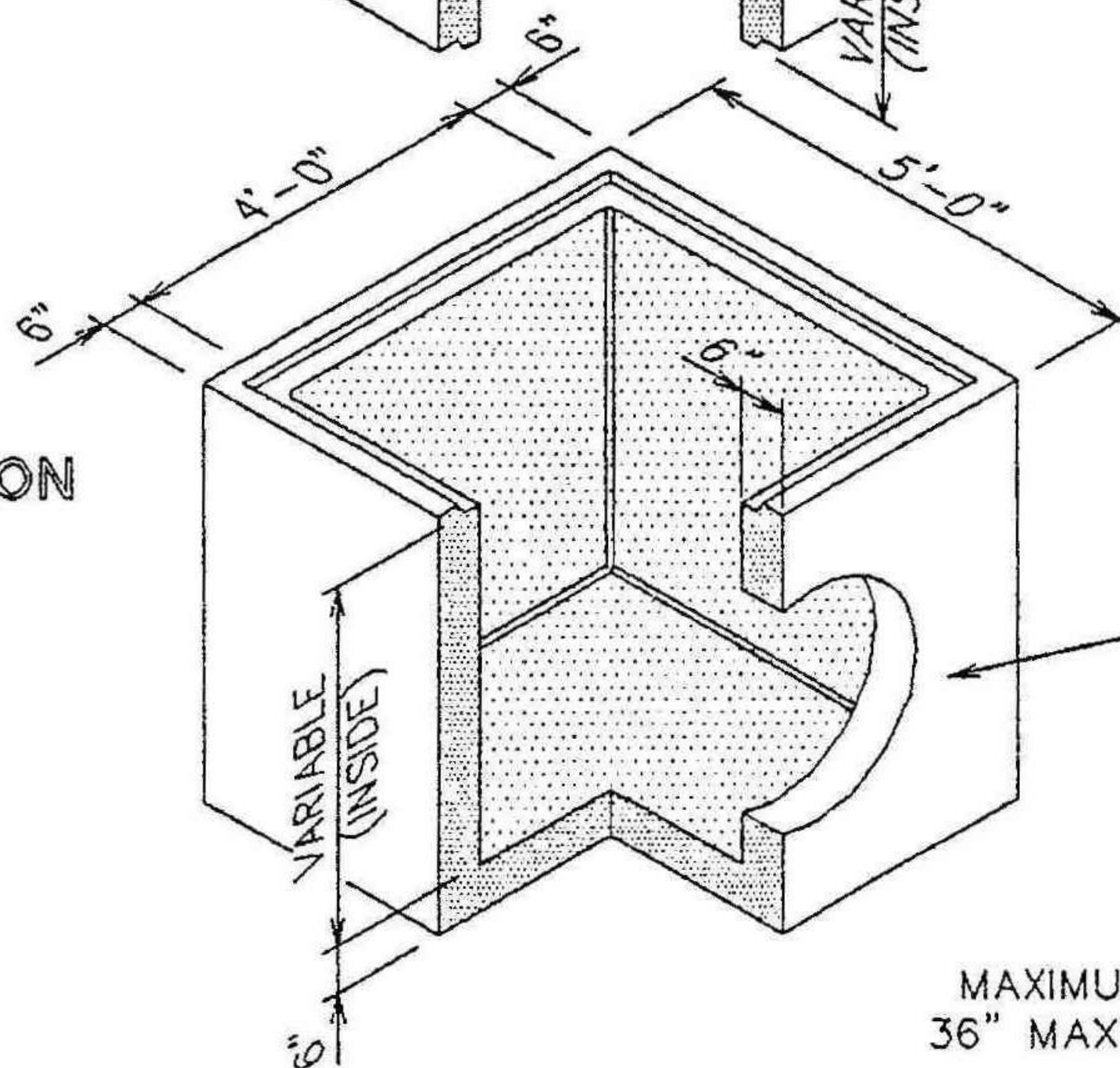
CENTER SECTION



APPROXIMATE CENTER SECTION WEIGHTS

2'-0" INSIDE	2800 LBS.
2'-6" INSIDE	3400 LBS.
3'-0" INSIDE	4100 LBS.
3'-6" INSIDE	4800 LBS.
4'-0" INSIDE	5500 LBS.

BOTTOM SECTION



APPROXIMATE BOTTOM WEIGHTS

2'-0" INSIDE	4600 LBS.
2'-6" INSIDE	5300 LBS.
3'-0" INSIDE	6000 LBS.
3'-6" INSIDE	6700 LBS.
4'-0" INSIDE	7300 LBS.

MINIMUM EXCAVATION
7'-0" x 7'-0"

PIPE OPENING SIZE AND LOCATION AS REQUIRED

MAXIMUM WIDTH OPENING IS 48" WITH 36" MAXIMUM WIDTH IN ADJACENT WALL.

REVISIONS:

DATE:

APPROVED FOR PRODUCTION:

FILE NAME:

DR:

DATE:

October 10, 2012

4x4grateinlet.pdf

CK:

JOB NO.: