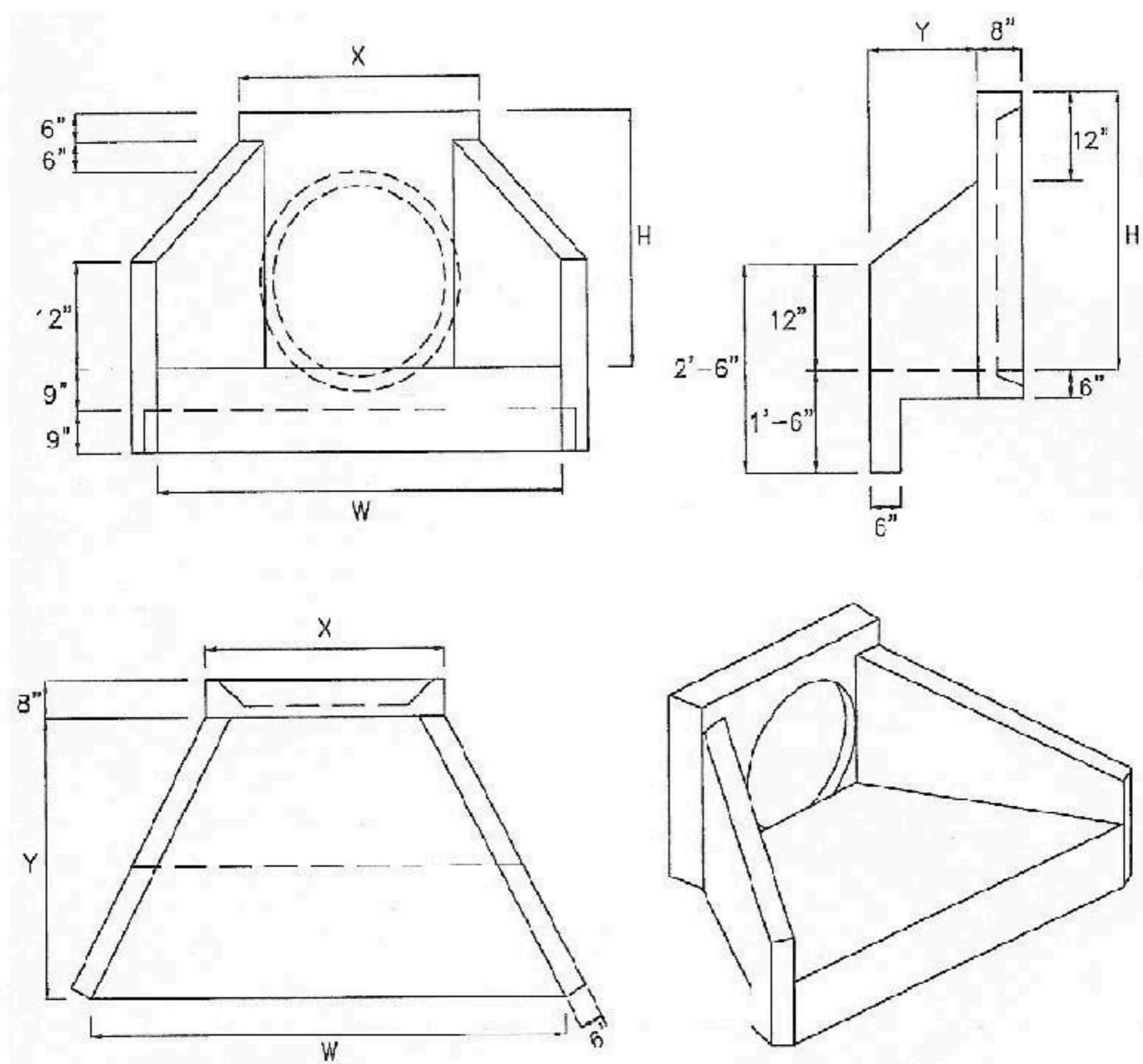


HEADWALL-TYPE B



	X	H	Y	W	
HW18	2'-11"	2'-6"	2'-0"	4'-0"	FOR 12", 15", 18" RCP WT. 3000#
HW24	3'-6"	3'-0"	3'-0"	5'-9 <sup>3</sup> / <sub>4</sub> "	FOR 21", 24" RCP WT. 5000#
HW30	4'-2"	3'-6"	4'-0"	7'-6 <sup>1</sup> / <sub>2</sub> "	FOR 27", 30" RCP WT. 8000#
HW36	4'-8"	4'-1"	5'-0"	9'-3 <sup>1</sup> / <sub>2</sub> "	FOR 33", 36" RCP WT. 10,000#

ALL EDGES CHAMFERED 3/4"

CONCRETE AND STEEL SPECIFICATIONS DESIGNED TO MEET TEXAS HIGHWAY DEPARTMENT STANDARDS

FILE NAME:	APPROVED FOR PRODUCTION	AUTHORIZED BY
	DATE:	PRINT:
	JOB TITLE:	SIGN: