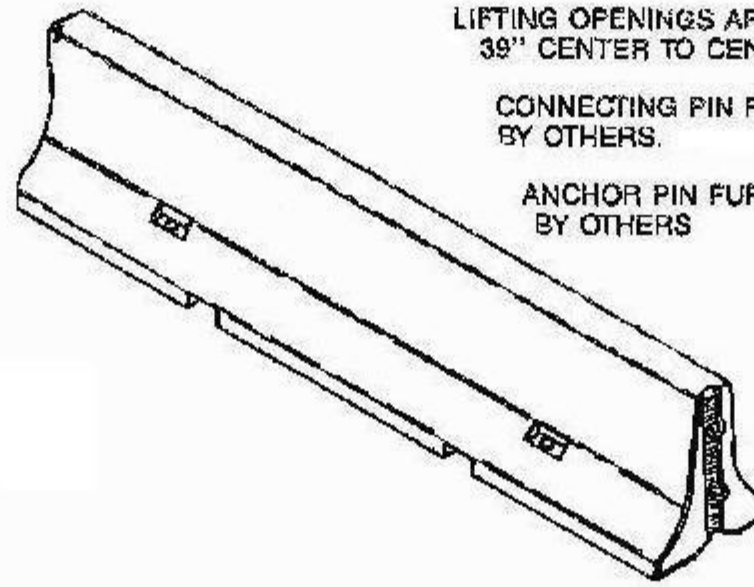


MEDIAN BARRIER

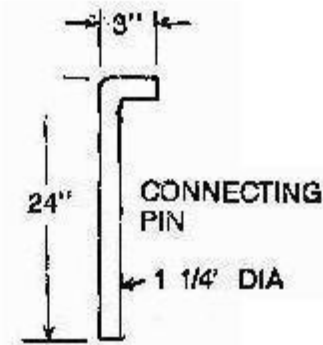
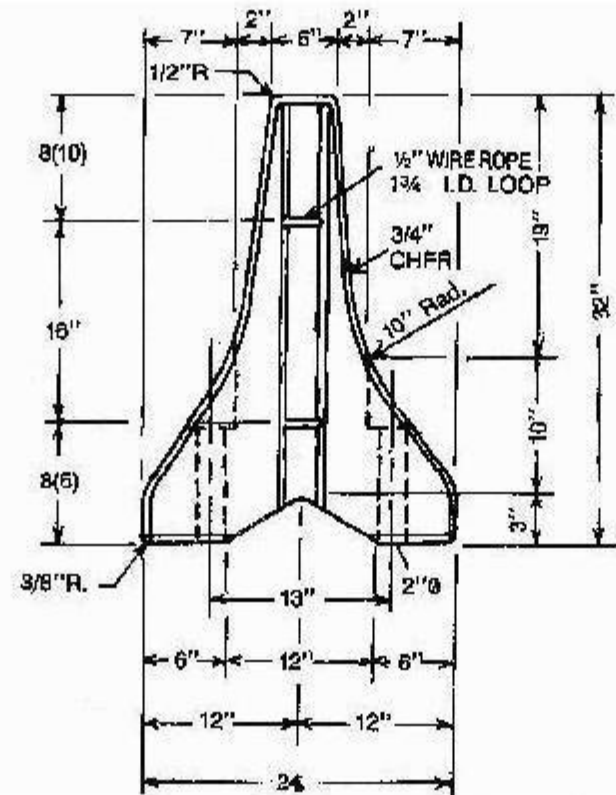
NOTE:



LIFTING OPENINGS ARE SPACED
39" CENTER TO CENTER

CONNECTING PIN FURNISHED
BY OTHERS.

ANCHOR PIN FURNISHED
BY OTHERS



REVISIONS:

DATE:

APPROVED FOR PRODUCTION:

FILE NAME:

DR:

DATE: April 24, 2012

MEDIAN BARRIER

CK:

JOB NO.: